

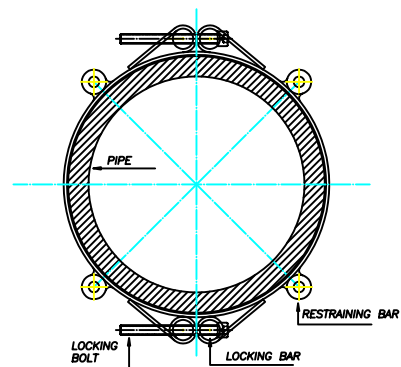
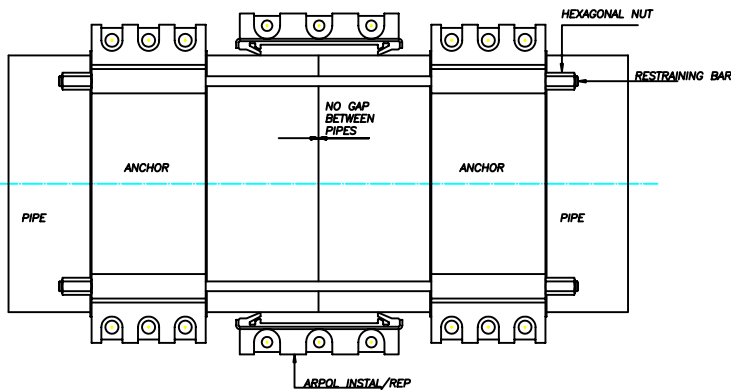
# ARPOL MULTI-FIX

ANCHORING SYSTEM FOR PIPES:

POLYETHYLENE  
POLYPROPYLENE  
PVC

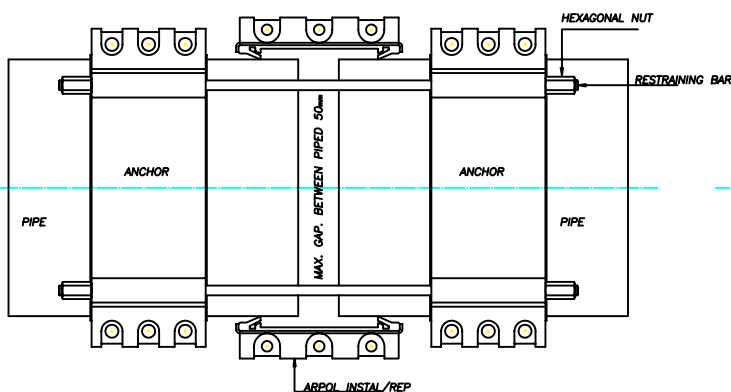
## SYSTEM SETUP ①

ANCHORING SYSTEM  
WITH NO AXIAL MOVEMENT



## SYSTEM SETUP ②

ANCHORING SYSTEM WITH AXIAL  
MOVEMENT MAX. 50mm



## SYSTEM SETUP ③

ANCHORING SYSTEM WITH AXIAL  
MOVEMENT MAX. 50mm

