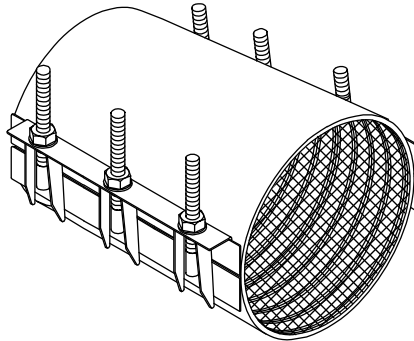




1606 SS COUPLINGS

PRICE INFORMATION



Nominal Pipe Size	Maximum Pressure (PSI)	Style 1 6" Shell	Style 1 12" Shell	Style 2 12" Shell	Style 3 18" Shell	Style 3 24" Shell
4	150	\$ 105.97	\$ 192.16	\$ 309.48		
6	150	\$ 115.58	\$ 210.72	\$ 335.96		
8	150	\$ 136.08	\$ 225.88	\$ 358.14		
10	150		\$ 244.35	\$ 379.23		
12	150		\$ 277.63	\$ 403.68		
14	125		\$ 315.36	\$ 429.38		
16	100				\$ 857.83	\$ 1,089.11
18	100				\$ 903.32	\$ 1,144.59
20	100					\$ 1,274.27
22	100					\$ 1,316.61
24	100					\$ 1,361.76

Note: Other sizes and pressure ratings available
 Bolt torque limit for all sizes is 80 ft/lbs
 ROBAR 9626 Adjustable stainless steel Inserts are recommended for use on HDPE
 4.80"OD is the minimum OD 1606 Couplings can be sized to fit

ROBAR INDUSTRIES LTD.

B.C. Phone (604) 591-8811 / 1-800-663-6553
 Fax (604) 591-5288
 Email: waterworks@robarindustries.com
 Web: www.robarindustries.com

LES PRODUITS INDUSTRIELS ROBAR INC.

QUEBEC Phone (450) 641-9525 / 1-800-315-9525
 Fax (450) 641-4894