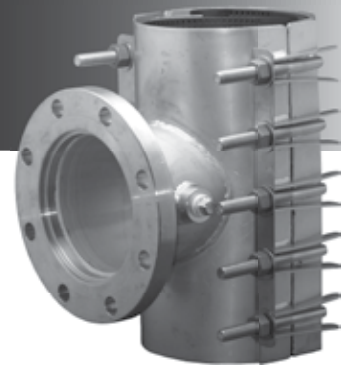




6606

STAINLESS STEEL TAPPING SLEEVE



APPLICATIONS:

ROBAR **6606** Tapping Sleeves are used for "WET" or "HOT" tapping. Available for pipe diameters from 4" to 24". Outlet options include size on size for 4", 6", 8", 10" and 12" nominal pipe. Used on Steel, Ductile Iron, C900, A/C pipe. **Note:** Not for use on Concrete Cylinder pipe or hot tapping on HDPE.

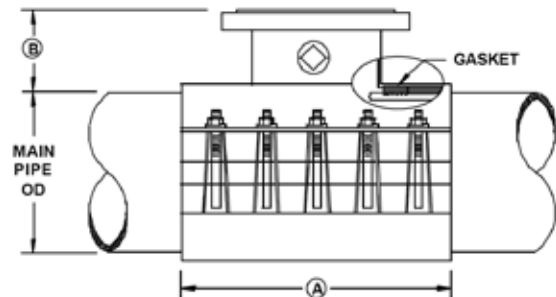
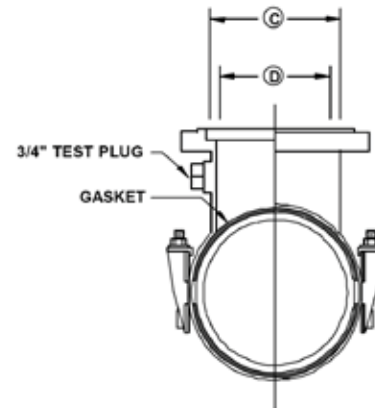
MATERIAL SPECIFICATIONS:

Shell: T304 Stainless Steel, fully passivated*.
 Fasteners: 5/8" NC T304 Stainless Steel. Nuts coated with anti-galling compound. Torque is 70-80 ft. lbs.
 Gaskets: Ringseal: NBR (Buna N) Rubber.
 Liner: SBR (Buna S) Rubber. Full wrap around.
 Test Plug: 3/4" NPT Stainless Steel.
 Flange: T304 Stainless Steel*, 150 lb. Drilling. Machine to spigot alignment.
 Outlet Pipe: T304 Stainless Steel, fully passivated*.

Available with Bolt Brackets. Contact ROBAR for more information.

TAPPING SLEEVE DATA						
NOMINAL OUTLET SIZE	A	B	C (DIA.)	D (DIA.)	BOLT QTY.	BOLT SIZE
4	12	4	5 1/32	4 1/2	8	5/8
6	16	4 1/2	7 1/32	6 1/2	10	5/8
8	20	5	9 1/32	8 1/2	14	5/8
10	20	5 1/2	11 1/32	10 7/16	14	5/8
12	24	5 3/4	13 1/32	12 7/16	16	5/8

All dimensions are in inches.



NOMINAL PIPE SIZE	BY X	OUTLET SIZE	FITTING LENGTH	NUMBER OF BOLTS	APPROXIMATE SHIPPING WEIGHT		WORKING RANGE	
					LBS.	KG.	LOW	HIGH
4	X	3	12	8	33	15.0	4.70	4.95
		4**			36	16.4	4.95	5.20
6	X	3	12	8	36	16.4	6.40	6.80
		4			39	17.7	6.80	7.20
		6**	16	10	43	19.6	7.20	7.60
					6.75	7.00	6.85	7.10
8	X	3	12	8	40	18.2	8.40	8.80
		4			43	19.6	8.80	9.20
		6	16	10	47	21.4	9.20	9.60
					8**	64	29.1	8.95
					9.25	9.50		

All dimensions are in inches.

Note: * Refers to chemically treating Stainless Steel after welding ("Pickled/Passivated") to return it to its original appearance.
 ** For size on size tapping an undersize cutter is used.
 - The **6606** is NSF61 compliant. Only those products bearing the NSF61 logo stamp are compliant.



ROBAR INDUSTRIES LTD. - BRITISH COLUMBIA

Phone: (604) 591 - 8811
 Toll Free: (800) 663 - 6553
 Fax: (604) 591 - 5288

LES PRODUITS INDUSTRIELS ROBAR INC. - QUEBEC

Phone: (450) 641 - 9525
 Toll Free: (800) 315 - 9525
 Fax: (450) 641 - 4894

Website: www.robarindustries.com / E-mail: waterworks@robarindustries.com



6606

STAINLESS STEEL TAPPING SLEEVE

NOMINAL PIPE SIZE	BY X	OUTLET SIZE	FITTING LENGTH	NUMBER OF BOLTS	APPROXIMATE SHIPPING WEIGHT		WORKING RANGE	
					LBS.	KG.	LOW	HIGH
10	X	3	12	8	43	19.6	10.55	10.95
		4			46	20.9		
		6	16	10	50	22.7		
		8	20	14	68	30.9		
		10			73	33.2		
12	X	3	12	8	46	20.9	12.15	12.55
		4			49	22.3		
		6	16	10	53	24.1		
		8	20	14	72	32.7		
		10			77	35.0		
		12	24	16	111	50.5		
14	X	3	12	8	67	30.5	15.10	15.50
		4			70	31.8		
		6	16	10	74	33.6		
		8	20	14	93	42.3		
		10			98	44.6		
12	24	16	132	60.0				
16	X	3	12	8	71	32.3	17.20	17.60
		4			75	34.1		
		6	16	10	79	35.9		
		8	20	14	100	45.5		
		10			105	47.7		
12	24	16	141	64.1				
18	X	3	12	12	74	33.6	19.30	19.70
		4			77	35		
		6	16	15	81	36.8		
		8	20	21	103	46.8		
		10			108	49.1		
12	24	24	144	65.5				
20	X	3	12	12	84	38.2	21.40	21.80
		4			87	39.6		
		6	16	15	91	41.4		
		8	20	21	115	52.3		
		10			120	54.6		
12	24	24	158	71.8				
24	X	3	12	12	90	40.9	23.20	23.60
		4			93	42.3		
		6	16	15	97	44.1		
		8	20	21	121	55.0		
		10			127	57.7		
12	24	24	167	75.9				

All dimensions are in inches.

HOW TO ORDER:

Determine the product number (**6606**), nominal main size, nominal outlet size, high limit number (see table above), and then order using the appropriate ordering code as shown in the following example. If a Stainless Steel Tapping Sleeve, with a 6" nominal outlet is required for a 12" nominal diameter Ductile Iron pipe (13.20" OD), the ordering code is:

6606 - 12" x 6" - 13.40" i.e. **6606 - 12 x 6 - 13.40**
 product nom. main nom. outlet high end of
 number size size range

6606 Tapping Sleeves come in 3 sections for nominal pipe sizes of 18" - 24".

- Note:
- Contact ROBAR for Bolt Bracket closures.
 - For sizes not listed above, call ROBAR for availability.
 - The working range displayed is only a guideline, other ranges are available.



ROBAR INDUSTRIES LTD. - BRITISH COLUMBIA

Phone: (604) 591 - 8811
 Toll Free: (800) 663 - 6553
 Fax: (604) 591 - 5288

LES PRODUITS INDUSTRIELS ROBAR INC. - QUEBEC

Phone: (450) 641 - 9525
 Toll Free: (800) 315 - 9525
 Fax: (450) 641 - 4894

Website: www.robarindustries.com / E-mail: waterworks@robarindustries.com