



6626

STAINLESS STEEL OUTLET SLEEVE

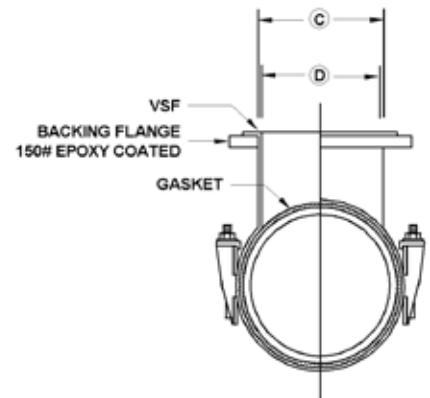


APPLICATIONS:

ROBAR 6626 Outlet Sleeves are used for "DRY TAP" applications. Outlet options are 3" through 12" including size on size for 6" and 8". Particularly suited for use on High Density Polyethylene (HDPE).

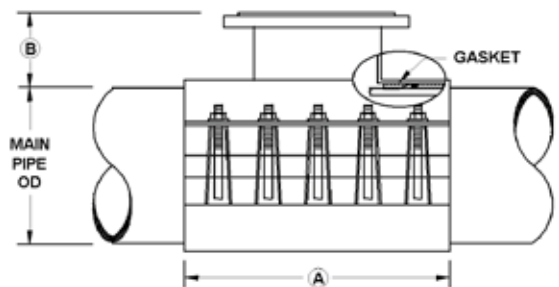
MATERIAL SPECIFICATIONS:

Shell: T304 Stainless Steel, fully passivated*.
 Fasteners: 5/8" NC T304 Stainless Steel, Rolled threads. Nuts coated with anti-galling compound. Torque is 70-80 ft. lbs.
 Gaskets: Ringseal: NBR (Buna N) Rubber.
 Liner: SBR (Buna S) Rubber. Full wrap around.
 Flange: 4" - 6" T304 Stainless Steel, 150 lb. Drilling.
 8" - 12" ASTM A-7 Mild Steel Plate (Vanstone Flange) with Corrosion Protective Epoxy coating, 150 lb. Drilling (Option: T304 Stainless Steel).
 Outlet: T304 Stainless Steel*.



OUTLET SLEEVE DATA						
NOMINAL OUTLET SIZE	A	B	C (DIA.)	D (DIA.)	BOLT QTY.	BOLT SIZE
3	12	4	3.25	3	8	5/8
4	12	4	4.25	4	8	5/8
6	16	4.5	6.25	6	10	5/8
8	20	5	8.25	8	14	5/8
10	20	5.5	10.25	10	14	5/8
12	24	5.75	12.25	12	16	5/8
14	28	7.13	14.25	14	18	5/8
16	32	7.75	16.25	16	20	5/8
18	36	8.25	18.25	18	24	5/8
20	40	8.50	20.25	20	28	5/8

All dimensions are in inches.



NOMINAL PIPE SIZE	BY X	OUTLET SIZE	FITTING LENGTH	NUMBER OF BOLTS	APPROXIMATE SHIPPING WEIGHT		WORKING RANGE	
					LBS.	KG.	LOW	HIGH
4	X	3	12	8	33	15.0	4.70	4.95
		4			36	16.4	4.95	5.20
6	X	3	12	8	36	16.4	6.40	6.80
		4			39	17.7	6.80	7.20
		6	16	10	43	19.6	6.75	7.00
					47	21.4	6.85	7.10
8	X	3	12	8	40	18.2	8.40	8.80
		4			43	19.6	8.80	9.20
		6	16	10	47	21.4	9.20	9.60
					64	29.1	8.95	9.20
		8	20	14			9.25	9.50

All dimensions are in inches.

Note: * Refers to chemically treating Stainless Steel after welding ("Pickled/Passivated") to return it to its original appearance.
 - For size on size tapping an undersize cutter is used.

ROBAR INDUSTRIES LTD. - BRITISH COLUMBIA

Phone: (604) 591 - 8811
 Toll Free: (800) 663 - 6553
 Fax: (604) 591 - 5288

LES PRODUITS INDUSTRIELS ROBAR INC. - QUEBEC

Phone: (450) 641 - 9525
 Toll Free: (800) 315 - 9525
 Fax: (450) 641 - 4894

Website: www.robarindustries.com / E-mail: waterworks@robarindustries.com



6626

STAINLESS STEEL OUTLET SLEEVE

NOMINAL PIPE SIZE	BY X	OUTLET SIZE	FITTING LENGTH	NUMBER OF BOLTS	APPROXIMATE SHIPPING WEIGHT		WORKING RANGE	
					LBS.	KG.	LOW	HIGH
10	X	3	12	8	43	19.6	10.55	10.95
		4			46	20.9		
		6	16	10	50	22.7		
		8	20	14	68	30.9		
		10			73	33.2		
12	X	3	12	8	46	20.9	12.15	12.55
		4			49	22.3		
		6	16	10	53	24.1		
		8	20	14	72	32.7		
		10			77	35.0		
		12	24	16	111	50.5		
14	X	3	12	8	67	30.5	15.10	15.50
		4			70	31.8		
		6	16	10	74	33.6		
		8	20	14	93	42.3		
		10			98	44.6		
12	24	16	132	60.0				
16	X	3	12	8	71	32.3	17.20	17.60
		4			75	34.1		
		6	16	10	79	35.9		
		8	20	14	100	45.5		
		10			105	47.7		
12	24	16	141	64.1				
18	X	3	12	12	74	33.6	19.30	19.70
		4		77	35			
		6	16	15	81	36.8		
		8	20	21	103	46.8		
		10			108	49.1		
12	24	24	144	65.5				
20	X	3	12	12	84	38.2	21.40	21.80
		4		87	39.6			
		6	16	15	91	41.4		
		8	20	21	115	52.3		
		10			120	54.6		
12	24	24	158	71.8				
24	X	3	12	12	90	40.9	23.20	23.60
		4		93	42.3			
		6	16	15	97	44.1		
		8	20	21	121	55.0		
		10			127	57.7		
12	24	24	167	75.9				

All dimensions are in inches.

HOW TO ORDER:

Determine the product number (**6626**), nominal main size, nominal outlet size and the high limit number (see table above) and then order by using the appropriate ordering code as shown in the following example. If a Stainless Steel Outlet Sleeve, with a 6" nominal outlet is required for a 12" nominal diameter HDPE pipe (12.75" OD), the ordering code is:

6626 - 12" x 6" - 12.95" i.e. **6626 - 12 x 6 - 12.95**
 product nom. main size nom. outlet size high end of range

6626 Tapping Sleeves come in 3 sections for nominal pipe sizes of 18" - 24".

Note: - For sizes not listed above, call ROBAR for availability.
 - The working range displayed is only a guideline, other ranges are available.

ROBAR INDUSTRIES LTD. - BRITISH COLUMBIA

Phone: (604) 591 - 8811
 Toll Free: (800) 663 - 6553
 Fax: (604) 591 - 5288

LES PRODUITS INDUSTRIELS ROBAR INC. - QUEBEC

Phone: (450) 641 - 9525
 Toll Free: (800) 315 - 9525
 Fax: (450) 641 - 4894

Website: www.robarindustries.com / E-mail: waterworks@robarindustries.com