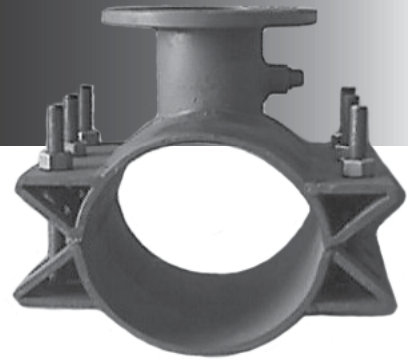




6828 / 6926 SERIES 428

MILD STEEL TAPPING SLEEVE



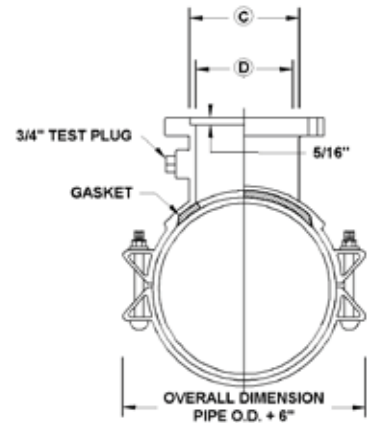
APPLICATIONS:

ROBAR BAKER

ROBAR **6828 / 6926** Tapping Sleeves are used to make a branch outlet off a main supply line on Steel, Ductile Iron, Cast Iron and Asbestos Cement pipe.

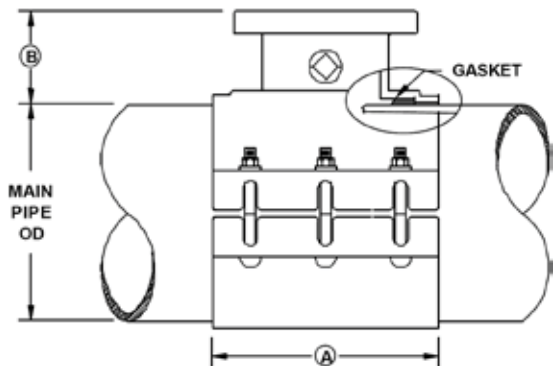
MATERIAL SPECIFICATIONS:

- Body: Carbon Steel plate.
 Flange: Drilled and faced per ANSI 150 lb. standards. Flat face recessed for tapping valve, per MSS standard SP-60. 300 lb. drilling available.
 Fasteners: **6828** - 3/4" NC Low alloy.
6926 - 3/4" NC T304 Stainless Steel. Nuts coated with anti-galling compound. Torque is 75-80 ft. lbs.
 Gaskets: NBR (Buna N) Rubber.
 Coatings: **6828** - Shop paint.
6926 - Corrosion Protective Epoxy coating.



TAPPING SLEEVE DATA						
NOMINAL OUTLET SIZE	A	B	C (DIA.)	D (DIA.)	BOLT QTY.	BOLT SIZE
4	12	5.25	5.03	4.50	6	3/4
6	12	5.63	7.03	6.50	6	3/4
8	16	6.00	9.03	8.50	8	3/4
10	20	6.50	11.03	10.44	10	3/4
12	20	6.75	13.03	12.44	10	3/4
14	24	7.13	See Note Below		12	3/4
16	28	7.75			14	3/4
18	32	8.25			16	3/4
20	36	8.50			18	3/4

All dimensions are in inches.



HOW TO ORDER:

Determine the product number (**6828, etc.**), the nominal main size, the nominal outlet size and the actual main pipe OD, and then use the appropriate ordering code as shown in the following example.

For a 16" Ductile Iron (17.40" OD) main, with an 8" branch in a corrosive ground condition (i.e. Epoxy coated with Stainless Steel bolts), the ordering code is:

6926 - 16" x 8" - 17.40" i.e. **6926 - 16 x 8 - 17.40**
 product nom. main nom. outlet actual main
 number size size OD

Note: - Flange outlets 14" and larger are designed to fit specific tapping valves of various manufacturers. Specify valve manufacturer when ordering branches 14" and larger.

ROBAR INDUSTRIES LTD. - BRITISH COLUMBIA

Phone: (604) 591 - 8811
 Toll Free: (800) 663 - 6553
 Fax: (604) 591 - 5288

LES PRODUITS INDUSTRIELS ROBAR INC. - QUEBEC

Phone: (450) 641 - 9525
 Toll Free: (800) 315 - 9525
 Fax: (450) 641 - 4894

Website: www.robarindustries.com / E-mail: waterworks@robarindustries.com