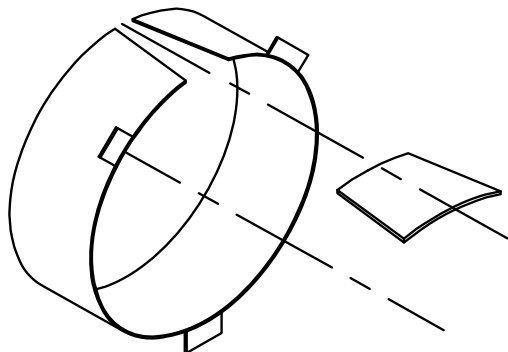




9626 ADJUSTABLE INSERTS

FABRICATED STAINLESS STEEL

PRICE INFORMATION



STANDARD SIZES:

6" to 24" nominal pipe OD. Smaller and larger sizes available on request.

USE:

ROBAR 9626 Adjustable Inserts are for use on thin wall PVC or HDPE, to add hoop strength to pipe when using ROBAR couplings.

16 GAUGE FOR PLASTIC PIPES

Nominal Pipe OD	LIST PRICE		
	Length of Insert		
	6"	8"	12"
4"	\$ 127.08	\$ 136.01	\$ 190.28
6"	\$ 132.71	\$ 139.81	\$ 198.38
8"	\$ 137.42	\$ 146.07	\$ 210.56
10"	\$ 144.26	\$ 154.53	\$ 225.35
12"	\$ 153.49	\$ 165.29	\$ 245.13
14"	\$ 159.22	\$ 176.83	\$ 265.23

12 GAUGE FOR PLASTIC PIPES

Nominal Pipe OD	LIST PRICE		
	Length of Insert		
	6"	8"	12"
16"	\$ 228.57	\$ 252.66	\$ 373.02
18"	\$ 236.57	\$ 263.32	\$ 398.74
20"	\$ 254.63	\$ 284.06	\$ 442.37
22"	\$ 262.63	\$ 311.65	\$ 467.55
24"	\$ 270.63	\$ 335.70	\$ 503.46

ROBAR INDUSTRIES LTD.

BC Phone (604) 591-8811 / 1-800-663-6553
 Fax (604) 591-5288
 Email: waterworks@robarindustries.com
 Web: www.robarindustries.com

LES PRODUITS INDUSTRIELS ROBAR INC.

QUEBEC Phone (450) 641-9525 / 1-800-315-9525
 Fax (450) 641-4894