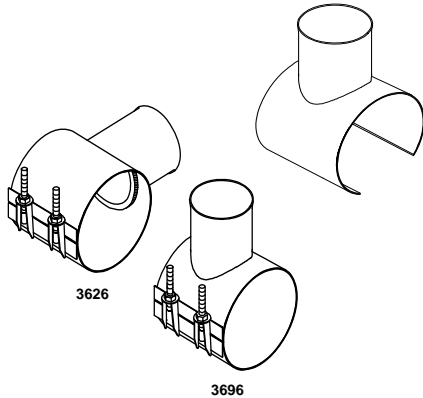


3606, 3626 & 3696 SEWER SADDLE

STAINLESS STEEL PRICE INFORMATION



Standard Sizes:

6" to 18" Nominal Pipe OD on main line,
4" IPS inlet line. Sizes other than those specified
may be ordered by contacting ROBAR.

Material Specification:

Body: T-304 Stainless Steel, fully passivated
ASTM A743
Gasket: 1/2" x 1/2" square section closed cell
Neoprene, ASTM D2000

| Nominal Pipe Size | 3606 No Fasteners | 3626 180 Branch | 3696 90 Branch |
|----------------------|----------------------|--------------------|-------------------|
| 6 x 4 | \$ 143.10 | \$ 184.74 | \$ 184.74 |
| 8 x 4 | \$ 148.40 | \$ 194.50 | \$ 194.50 |
| 10 x 4 | \$ 153.27 | \$ 202.04 | \$ 202.04 |
| 12 x 4 | \$ 158.47 | \$ 217.11 | \$ 217.11 |
| 14 x 4 | \$ 164.96 | \$ 226.15 | \$ 226.15 |
| 16 x 4 | \$ 169.82 | \$ 235.59 | \$ 235.59 |
| 18 x 4 | \$ 179.13 | \$ 245.75 | \$ 245.75 |

HOW TO ORDER:

Determine the product number (3606, 3626, 3696), the OD of sewer main and the actual OD of the branch, then order by using the appropriate ordering code as shown in the following example.

If a 4" branch (4.50"OD) off a 12" HDPE sewer main is required, the ordering code is:

3606 - 12.75" x 4.50"

Special designs, lengths or diameters may be fabricated on special request.
Contact ROBAR for quotation.

Standard branch outlet is 4" nominal (4.63"OD) accepts 4.50"OD

"Passivated" refers to chemically treating Stainless Steel after welding to return it to its original high corrosion resistance and appearance.

ROBAR INDUSTRIES LTD.

BC Phone (604) 591-8811 / 1-800-663-6553
Fax (604) 591-5288
Email: waterworks@robarindustries.com
Web: www.robarindustries.com

LES PRODUITS INDUSTRIELS ROBAR INC.

QUEBEC Phone (450) 641-9525 / 1-800-315-9525
Fax (450) 641-4894