



6404 / 6506

CAST DUCTILE IRON TAPPING SLEEVE



APPLICATIONS:

ROBAR **6404 / 6506** Tapping Sleeves are used to make a branch outlet off a main supply line on Ductile or Cast Iron pipe only. The outside diameters of Ductile Iron and Cast Iron are within the working range of this tapping sleeve.

MATERIAL SPECIFICATIONS:

Body: Cast Ductile Iron.
 Flange: Cast Ductile Iron, 150 lb. Drilling.
 Gaskets: NBR (Buna N) Rubber, c/w O-Ring.
 Fasteners: **6404** - 3/4" NC Cast Ductile bolts.
6506 - 3/4" NC T304 Stainless Steel.
 Nuts coated with anti-galling compound.
 Torque is 75-80 ft. lbs.
 Test Plug: 3/4" NPT Mild Steel.
 Coating: **6404** - Two coats of Enamel.
6506 - Corrosion Protective Epoxy coating.

HOW TO ORDER:

Determine the product number (**6404, etc.**), nominal main size, nominal outlet size and actual main OD, and then order by using the appropriate ordering code (see table below) as shown in the following example.

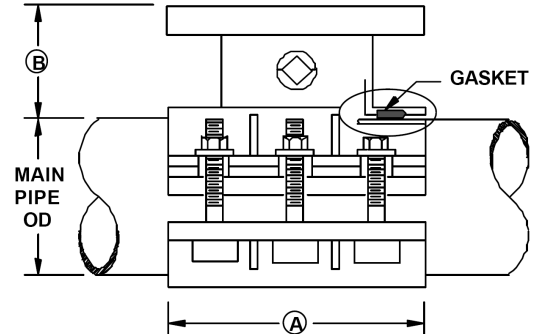
If an Epoxy coated Tapping sleeve with Stainless Steel fasteners is required to install a 6" outlet on an 8" Ductile Iron water pipe (9.05" OD), the ordering code is:

6506 - 8" x 6" - 9.05"
 product nom. main nom. outlet actual main
 number size size OD

i.e. **6506 - 8 x 6 - 9.05**

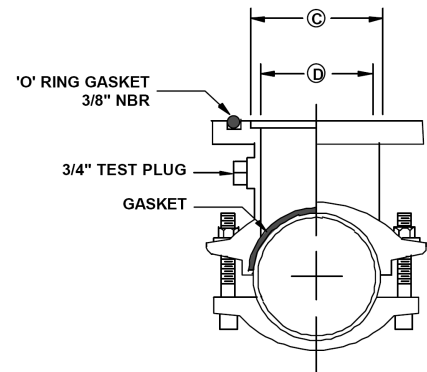
NOMINAL PIPE SIZE	ORDERING CODE*	APPROXIMATE SHIPPING WEIGHT		WORKING RANGE
		LBS.	KG.	
4 x 4	PN - 4" x 4" x OD	39	17.1	4.74 - 5.10
6 x 4	PN - 6" x 4" x OD	45	20.4	6.86 - 7.10
6 x 6	PN - 6" x 6" x OD	51	23.1	6.86 - 7.10
8 x 4	PN - 8" x 4" x OD	64	29.0	8.99 - 9.30
8 x 6	PN - 8" x 6" x OD	68	30.9	8.99 - 9.30
8 x 8	PN - 8" x 8" x OD	80	36.4	8.99 - 9.30

Note: *PN stands for the Product Number (**6404, etc.**).



NOMINAL PIPE SIZE	OUTLET SIZE	A SLEEVE LENGTH	B FLANGE HEIGHT	C SPIGOT OD	D BRANCH ID	NUMBER OF BOLTS	BOLT SIZE
4	4	8	3 5/8	5 1/32	4 3/8	6	3/4
6	4	8 1/2	3 5/8	5 1/32	4 3/8	6	3/4
	6	8 1/2	3 5/8	7 1/32	6 3/8	6	3/4
8	4	9 1/2	3 3/4	5 1/32	4 3/8	6	3/4
	6	9 1/2	3 3/4	7 1/32	6 3/8	6	3/4
	8	9 1/2	3 3/4	9 1/32	8 3/8	6	3/4

All dimensions are in inches.



Note: - Not recommended for use on Plastic pipe (PVC or HDPE) or Asbestos Cement pipe.

ROBAR INDUSTRIES LTD. - BRITISH COLUMBIA

Phone: (604) 591 - 8811
 Toll Free: (800) 663 - 6553
 Fax: (604) 591 - 5288

LES PRODUITS INDUSTRIELS ROBAR INC. - QUEBEC

Phone: (450) 641 - 9525
 Toll Free: (800) 315 - 9525
 Fax: (450) 641 - 4894

Website: www.robarindustries.com / E-mail: waterworks@robarindustries.com