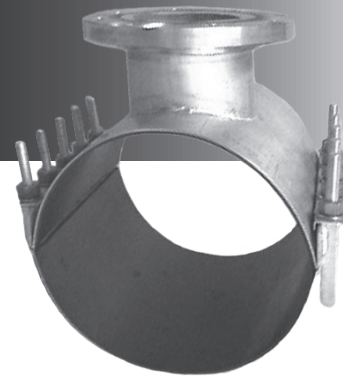




# 6626

## STAINLESS STEEL OUTLET SLEEVE



### APPLICATIONS:

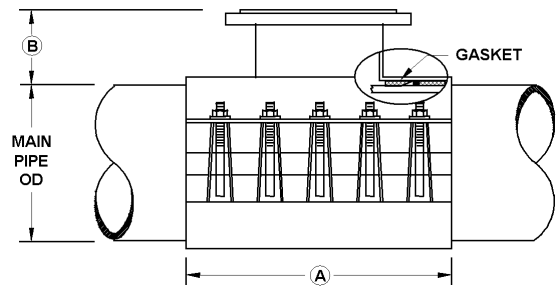
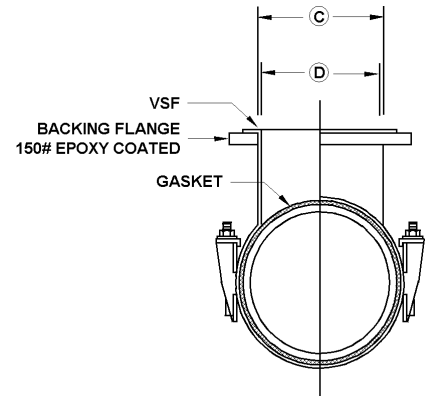
ROBAR 6626 Outlet Sleeves are used for "DRY TAP" applications. Outlet options are 3" through 12" including size on size for 6" and 8". Particularly suited for use on High Density Polyethylene (HDPE).

### MATERIAL SPECIFICATIONS:

Shell: T-304 Stainless Steel, fully passivated\*.  
 Fasteners: 5/8" NC T304 Stainless Steel,  
 Rolled threads. Nuts coated with anti-galling compound.  
 Torque is 70-80 ft. lbs.  
 Gaskets: Ringseal: NBR (Buna N) Rubber.  
 Liner: SBR (Buna S) Rubber.  
 Flange: T-304 Stainless Steel\* as per AWWA C-207 Class D.  
 Outlet: T-304 Stainless Steel\*.

OUTLET SLEEVE DATA						
NOMINAL OUTLET SIZE	A	B	C (DIA.)	D (DIA.)	BOLT QTY.	BOLT SIZE
3	12	4	3.25	3	8	5/8
4	12	4	4.25	4	8	5/8
6	16	4.5	6.25	6	10	5/8
8	20	5	8.25	8	14	5/8
10	20	5.5	10.25	10	14	5/8
12	24	5.75	12.25	12	16	5/8
14	28	7.13	14.25	14	18	5/8
16	32	7.75	16.25	16	20	5/8
18	36	8.25	18.25	18	24	5/8
20	40	8.50	20.25	20	28	5/8

All dimensions are in inches.



NOMINAL PIPE SIZE	BY X	OUTLET SIZE	FITTING LENGTH	NUMBER OF BOLTS	APPROXIMATE SHIPPING WEIGHT		WORKING RANGE	
					LBS.	KG.	LOW	HIGH
4	X	3	12	8	33	15.0	4.70	4.95
		4			36	16.4	4.95	5.20
6	X	3	12	8	36	16.4	6.40	6.80
		4			39	17.7	6.80	7.20
		6	10	43	19.6	6.75	7.00	
			16	43	19.6	6.85	7.10	
8	X	3	12	8	40	18.2	8.40	8.80
		4			43	19.6	8.80	9.20
		6	10	47	21.4	9.20	9.60	
			16	47	21.4	9.20	9.60	
8	X	14	20	14	64	29.1	8.95	9.20
		20			64	29.1	9.25	9.50

6626 rated for 150 PSI working pressure (contact Robar for higher pressure ratings).

Note: \* Refers to chemically treating Stainless Steel after welding ("Pickled/Passivated") to return it to its original appearance.  
 - For size on size tapping an undersize cutter is used.



This product is tested and certified by WQA to NSF/ANSI standard 61

**ROBAR INDUSTRIES LTD. - BRITISH COLUMBIA**

Phone: (604) 591 - 8811  
 Toll Free: (800) 663 - 6553  
 Fax: (604) 591 - 5288

**LES PRODUITS INDUSTRIELS ROBAR INC. - QUEBEC**

Phone: (450) 641 - 9525  
 Toll Free: (800) 315 - 9525  
 Fax: (450) 641 - 4894

Website: [www.robarindustries.com](http://www.robarindustries.com) / E-mail: [waterworks@robarindustries.com](mailto:waterworks@robarindustries.com)



# 6626

## STAINLESS STEEL OUTLET SLEEVE

NOMINAL PIPE SIZE	BY X	OUTLET SIZE	FITTING LENGTH	NUMBER OF BOLTS	APPROXIMATE SHIPPING WEIGHT		WORKING RANGE	
					LBS.	KG.	LOW	HIGH
10	X	3	12	8	43	19.6	10.55	10.95
		4			46	20.9		
		6	16	10	50	22.7		
		8	20	14	68	30.9		
		10			73	33.2		
12	X	3	12	8	46	20.9	12.15	12.55
		4			49	22.3		
		6	16	10	53	24.1		
		8	20	14	72	32.7		
		10			77	35.0		
		12	24	16	111	50.5		
14	X	3	12	8	67	30.5	15.10	15.50
		4			70	31.8		
		6	16	10	74	33.6		
		8	20	14	93	42.3		
		10			98	44.6		
		12	24	16	132	60.0		
16	X	3	12	8	71	32.3	17.20	17.60
		4			75	34.1		
		6	16	10	79	35.9		
		8	20	14	100	45.5		
		10			105	47.7		
		12	24	16	141	64.1		
18	X	3	12	12	74	33.6	19.30	19.70
		4			77	35		
		6	16	15	81	36.8		
		8	20	21	103	46.8		
		10			108	49.1		
		12	24	24	144	65.5		
20	X	3	12	12	84	38.2	21.40	21.80
		4			87	39.6		
		6	16	15	91	41.4		
		8	20	21	115	52.3		
		10			120	54.6		
		12	24	24	158	71.8		
24	X	3	12	12	90	40.9	23.20	23.60
		4			93	42.3		
		6	16	15	97	44.1		
		8	20	21	121	55.0		
		10			127	57.7		
		12	24	24	167	75.9		

All dimensions are in inches.

### HOW TO ORDER:

Determine the product number (**6626**), nominal main size, nominal outlet size and the high limit number (see table above) and then order by using the appropriate ordering code as shown in the following example. If a Stainless Steel Outlet Sleeve, with a 6" nominal outlet is required for a 12" nominal diameter HDPE pipe (12.75" OD), the ordering code is:

**6626** - 12" x 6" - 12.95" i.e. **6626 - 12 x 6 - 12.95**  
 product nom. main nom. outlet high end of  
 number size size range

**6626** Tapping Sleeves come in 3 sections for nominal pipe sizes of 18" - 24".

Note: - For sizes not listed above, call ROBAR for availability.  
 - The working range displayed is only a guideline, other ranges are available.

**ROBAR INDUSTRIES LTD. - BRITISH COLUMBIA**

Phone: (604) 591 - 8811  
 Toll Free: (800) 663 - 6553  
 Fax: (604) 591 - 5288

**LES PRODUITS INDUSTRIELS ROBAR INC. - QUEBEC**

Phone: (450) 641 - 9525  
 Toll Free: (800) 315 - 9525  
 Fax: (450) 641 - 4894

Website: [www.robarindustries.com](http://www.robarindustries.com) / E-mail: [waterworks@robarindustries.com](mailto:waterworks@robarindustries.com)