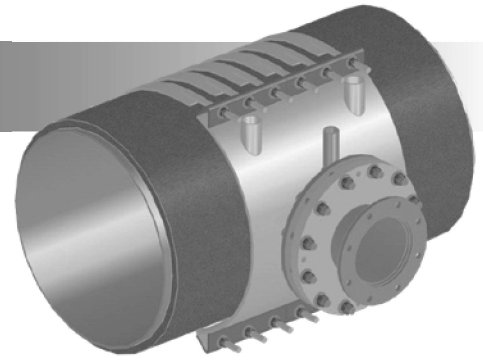




# 6996

## CONCRETE CYLINDER PIPE TAPPING SLEEVE



### SIZES AVAILABLE

16" to 120" Nominal Pipe OD on main supply line, 4" to 24" Nominal OD on branch line.

### APPLICATIONS

ROBAR 6996 Concrete Cylinder Pipe Tapping Sleeves complement our existing line of Tapping Sleeves. These fabricated sleeves are designed to reinforce the concrete cylinder pipe when the structural wires are cut and have the additional benefit of being able to be very easily installed.

### STANDARD FEATURES

- Capable of working to 175 psi
- Oversized outlet for easy installation
- Broad gasket for sealing over weld areas
- Reinforced outlet seal face
- Installation of load bearing screws for valve support
- Shop coated over white metal cleaning
- 3 central grout holes
- Tapping valve location spigot

### HOW TO ORDER

Determine the product number (6996) and provide the following information:

1. OD of steel cylinder
2. OD/thickness of concrete
3. Outlet size
4. Line pressure
5. Line contents
6. Solid back or straps
7. Brand name of tapping valve used
8. Any unusual conditions or requirements

### MATERIAL SPECIFICATIONS

<b>Body:</b>	Carbon Steel plate (ASTM A-36)
<b>Flange:</b>	Drilled and faced per ANSI standards Other drillings available. AWWA C207
<b>Gaskets:</b>	Nitrile (NBR) Rubber (AWWA C111)
<b>Fasteners:</b>	<b>T304</b> Stainless Steel fasteners
<b>Coating:</b>	6996 Corrosion Protective Epoxy Coating
<b>PSI Rating:</b>	175 psi

## ROBAR INDUSTRIES LTD.

www.robarindustries.com  
waterworks@robarindustries.com

Surrey, British Columbia  
Phone: 1-800-663-6553

Saint-Bruno, Quebec  
Phone: 1-800-315-9525