



6508 / 6506

CAST DUCTILE IRON TAPPING SLEEVE



APPLICATIONS

ROBAR 6506 Tapping Sleeves are used to make a branch outlet off a main supply line on Ductile or Cast Iron pipe only. The outside diameters of Ductile Iron and Cast Iron are within the working range of this tapping sleeve.

MATERIAL SPECIFICATIONS

Body:	Cast Ductile Iron
Flange:	Cast Ductile Iron, 150 lb. Drilling
Gaskets:	NBR (Nitrile) Rubber, c/w O-Ring
Fasteners:	6508 – 3/4" NC Mild Steel 6506 – 3/4" NC T304 Stainless Steel Nuts coated with anti-galling compound Torque is 75-80 ft. lbs
Test Plug:	3/4" NPT Mild Steel
Coating:	6506 – Corrosion Protective Epoxy coating
PSI Rating:	250 psi

HOW TO ORDER

Determine the product number (**6506, etc.**), nominal main size, nominal outlet size and actual main OD, and then order by using the appropriate ordering code (see table below) as shown in the following example.

If an Epoxy coated Tapping sleeve with Stainless Steel fasteners is required to install a 6" outlet on an 8" Ductile Iron water pipe (9.05" OD), the ordering code is:

Product Number		Nominal Main Size		Nominal Outlet Size		Actual Main OD
6506	-	8"	x	6"	-	9.05

i.e. **6506 - 8 x 6 - 9.05**

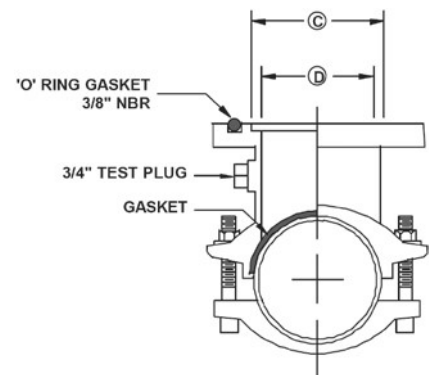
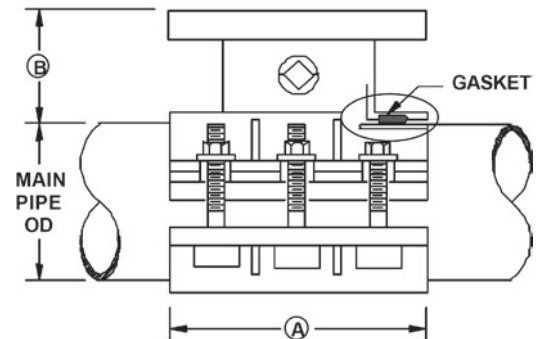
NOMINAL PIPE SIZE	ORDERING CODE*	APPROXIMATE SHIPPING WEIGHT		WORKING RANGE
		LBS.	KG.	
4 x 4	PN - 4" x 4" x OD	39	17.1	4.74 - 5.10
6 x 4	PN - 6" x 4" x OD	45	20.4	6.86 - 7.10
6 x 6	PN - 6" x 6" x OD	51	23.1	6.86 - 7.10
8 x 4	PN - 8" x 4" x OD	64	29.0	8.99 - 9.30
8 x 6	PN - 8" x 6" x OD	68	30.9	8.99 - 9.30
8 x 8	PN - 8" x 8" x OD	80	36.4	8.99 - 9.30

Note: *PN stands for the Product Number (**6404, etc.**).

NOMINAL PIPE SIZE	OUTLET SIZE	A SLEEVE LENGTH	B FLANGE HEIGHT	C SPIGOT OD	D BRANCH ID	NUMBER OF BOLTS	BOLT SIZE
4	4	8	3 5/8	5 1/32	4 3/8	6	3/4
6	4	8 1/2	3 5/8	5 1/32	4 3/8	6	3/4
	6	8 1/2	3 5/8	7 1/32	6 3/8	6	3/4
8	4	9 1/2	3 3/4	5 1/32	4 3/8	6	3/4
	6	9 1/2	3 3/4	7 1/32	6 3/8	6	3/4
	8	9 1/2	3 3/4	9 1/32	8 3/8	6	3/4

All dimensions are in inches.

Note: Not recommended for use on Plastic pipe (PVC or HDPE) or Asbestos Cement pipe.



ROBAR INDUSTRIES LTD.

www.robarindustries.com
waterworks@robarindustries.com

Surrey, British Columbia
Phone: 1-800-663-6553

Saint-Bruno, Quebec
Phone: 1-800-315-9525