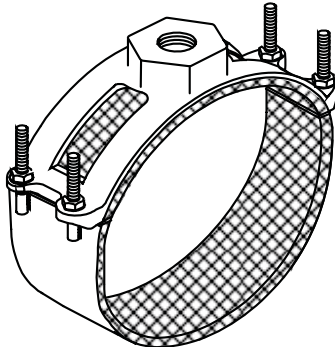




# 2786 SERVICE SADDLES

CAST BRONZE  
PRICE INFORMATION



**Sizes Available:** 4" - 20" Nominal Pipe OD  
Outlets from 3/4" - 2" in AWWA taper (CC) or female iron pipe thread (IP)  
Fits Steel (IPS), Ductile Iron and Cast Iron Pipe

**Use:**  
ROBAR 2786 Isolating Saddle are used to electrically isolate an outlet or service line from a main distribution line. Primarily used in cathodically protected systems or to separate dissimilar metals. Waterworks Bronze and Passivated T-304 stainless steel are "noble" materials which are closely related to each other near the top of the Galvanic Scale or corrosion resistance. Unlike pairs of widely dissimilar metals, they will both exhibit long life in most "hot" soil environments.

### Material Specification:

Saddle Body: Waterworks Bronze (ASTM B62 and AWWA C-800)  
Gaskets: SBR (BUNA-S) Rubber Isolating Compound  
Strap & Armor: T-304 Stainless Steel, fully passivated  
Fasteners: 1/2" NC T-304 Stainless Steel studs, rolled threads

Nominal Pipe Size	Working Range		List Price
	Low	High*	
4"	4.50	4.80	\$ 419.22
6"	6.60	7.40	\$ 431.47
8"	8.60	9.40	\$ 445.45
10"	10.70	11.50	\$ 477.55
12"	12.70	13.50	\$ 496.02
14"	13.80	14.40	\$ 600.97
	15.20	16.00	\$ 600.97
16"	17.20	18.00	\$ 661.83
18"	19.20	20.00	\$ 692.77
20"	20.80	21.90	\$ 731.46

### HOW TO ORDER:

Determine the product number (2786), the high limit of range (see above table), outlet size and outlet thread, and then use the appropriate ordering code as shown in the example.

**2786 - 7.40" x 3/4" CC**  
ie. - 2786 - 7.40 x 3/4CC

Note: The 2786 is designed to be installed with a maximum torque of 45 ft. lbs.  
\* The high limit of the range is used in the ordering code

### ROBAR INDUSTRIES LTD.

BC Phone (604) 591-8811 / 1-800-663-6553  
Fax (604) 591-5288  
Email: waterworks@robarindustries.com

### LES PRODUITS INDUSTRIELS ROBAR INC.

QUEBEC Phone (450) 441-7525 / 1-800-315-9525  
Fax (450) 441-4894  
Web: www.Robarindustries.com