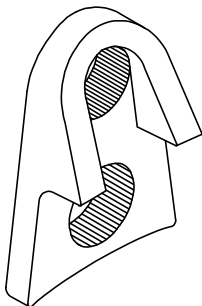


4499 RESTRAINT LUG

CAST DUCTILE IRON
PRICE INFORMATION



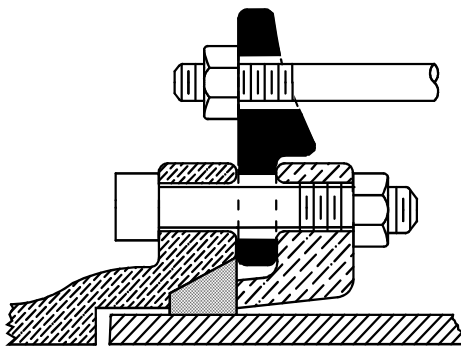
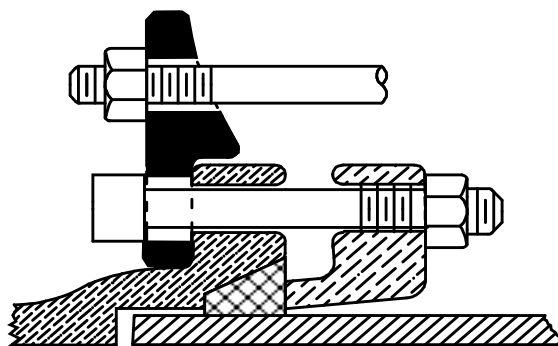
SIZES AVAILABLE:

One Size only.

USE:

ROBAR 4499 Restraint Lugs are designed for use on Mechanical Joint Fittings to prevent pipe pull-out.

Material: Cast Ductile Iron (ASTM A536)



Robar Product No.	LIST PRICE
4499	\$ 12.95

ROBAR INDUSTRIES LTD.

BC Phone (604) 591-8811 / 1-800-663-6553
 Fax (604) 591-5288
 Email: waterworks@robarindustries.com

LES PRODUITS INDUSTRIELS ROBAR INC.

QUEBEC Phone (450) 441-7525 / 1-800-315-9525
 Fax (450) 441-4894
 Web: www.Robarindustries.com