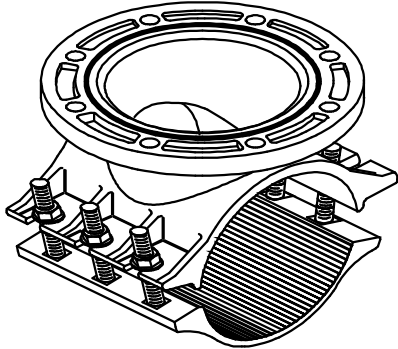


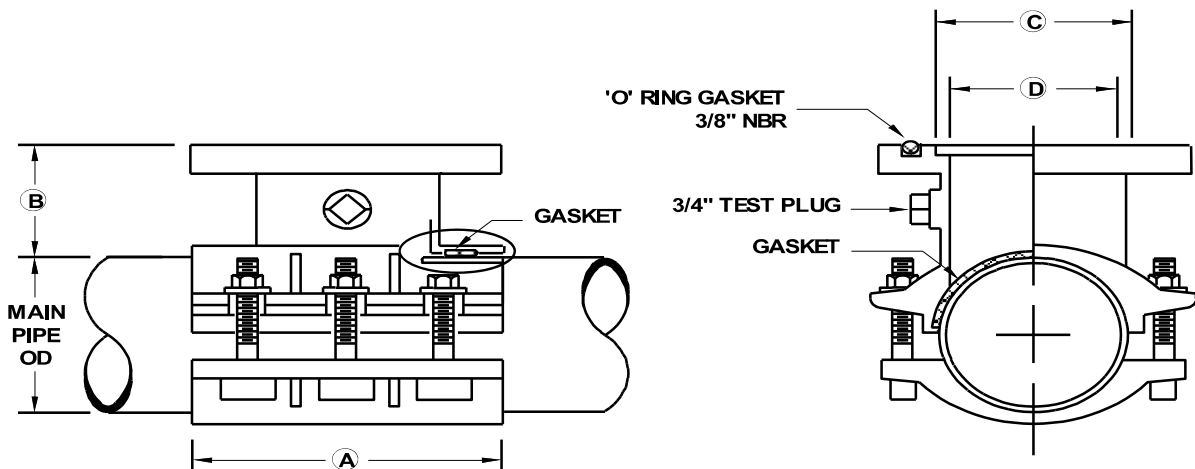


6508 & 6506 TAPPING SLEEVES

CAST DUCTILE IRON
PRICE INFORMATION



Nominal Pipe Size	Working Range	Ordering Code	List Price	
			Epoxy	
			6508	6506
4 x 4	4.74 - 5.10	PN - 4" x 4" x OD	\$ 908.98	\$1,122.45
6 x 4	6.86 - 7.10	PN - 6" x 4" x OD	\$ 936.87	\$1,157.58
6 x 6	6.86 - 7.10	PN - 6" x 6" x OD	\$1,168.87	\$1,314.19
8 x 4	8.99 - 9.30	PN - 8" x 4" x OD	\$1,001.53	\$1,215.36
8 x 6	8.99 - 9.31	PN - 8" x 6" x OD	\$1,044.63	\$1,317.05
8 x 8	8.99 - 9.32	PN - 8" x 8" x OD	\$1,390.73	\$1,615.93



Nominal Size	Outlet Size	Sleeve Length	Flange Height (B)	Spigot OD	Branch ID (D)	Number of Bolts	Bolt Size
4"	4	8	3 5/8	5 1/32	4 3/8	6	3/4
6"	4	8 1/2	3 5/8	5 1/32	4 3/8	6	3/4
	6	8 1/2	3 5/8	7 1/32	6 3/8	6	3/4
8"	4	8 1/2	3 3/4	5 1/32	4 3/8	6	3/4
	6	8 1/2	3 3/4	7 1/32	6 3/8	6	3/4
	8	8 1/2	3 3/4	9 1/32	8 3/8	6	3/4

ROBAR INDUSTRIES LTD.

BC Phone (604) 591-8811 / 1-800-663-6553
 Fax (604) 591-5288
 Email waterworks@robarindustries.com

LES PRODUITS INDUSTRIELS ROBAR INC.

QUEBEC Phone (450) 441-7525 / 1-800-315-9525
 Fax (450) 441-4894
 Web www.Robarindustries.com