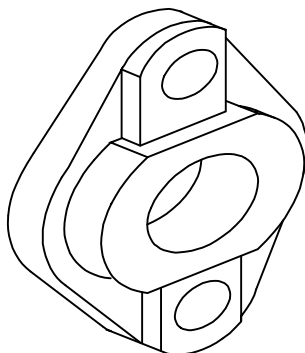




9440/9470 METER FLANGE

CAST DUCTILE IRON

PRICE INFORMATION



SIZES AVAILABLE:

1-1/2" and 2" Nominal

USE:

ROBAR 9440/9540 and **9470** Meter Coupling Flanges are used for drilling and tapping to NPT standards to mate with flanged water meters.

MATERIAL SPECIFICATIONS:

Body:

9540 - Cast Ductile Iron (ASTM A536)

9470 - 85-5-5 Waterworks Bronze (ASTM B62 and AWWA C-800)

O-Ring

NBR (BUNA N) Rubber, (ASTM A5568)

Coating:

9540 - Corrosion Protective Epoxy Coating

Nominal Size	Product Number	Shipping Weight		LIST PRICE
		(LBS)	(KG)	
1-1/2"	9540	2.25	1.1	\$ 46.07
	9470	2.5	1.2	\$ 82.58
2"	9540	2.75	1.3	\$ 52.06

ROBAR INDUSTRIES LTD.

BC Phone (604) 591-8811 / 1-800-663-6553
Fax (604) 591-5288
Email: waterworks@robarindustries.com

LES PRODUITS INDUSTRIELS ROBAR INC.

QUEBEC Phone (450) 441-7525 / 1-800-315-9525
Fax (450) 441-4894
Web www.Robarindustries.com



9500 F.R.P. BACK-UP FLANGES

Description	Weight	NET PRICE
1" 150#	1.5	\$ 24.39
1-1/2" 150#	1.8	\$ 24.39
2" 150#	2.5	\$ 24.39
2-1/2" 150#	3	\$ 31.73
3" 150#	3.5	\$ 36.62
4" 150#	5.8	\$ 47.59
6" 150#	8	\$ 73.21
8" 150#	11	\$ 95.17
10" 150#	18.5	\$ 158.59
12" 150#	31	\$ 214.69
14" 150#	35	\$ 256.20
16" 150#	48.5	\$ 329.34
18" 150#	54.3	\$ 367.17
20" 150#	61	\$ 452.60
24" 150#	98	\$ 626.98

Note: Rings are Fusion Bonded Epoxy Lined and Coated

ROBAR INDUSTRIES LTD.

BC Phone (604) 591-8811 / 1-800-663-6553
Fax (604) 591-5288
Email: waterworks@robarindustries.com

LES PRODUITS INDUSTRIELS ROBAR INC.

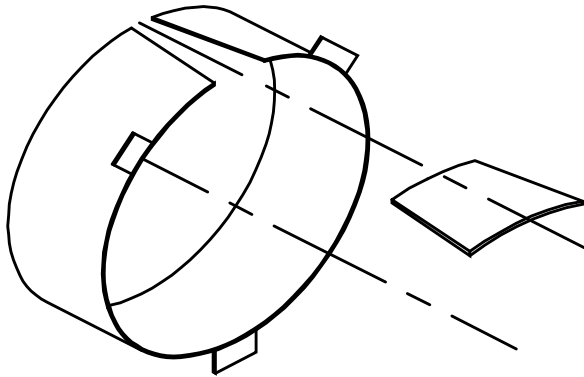
QUEBEC Phone (450) 441-7525 / 1-800-315-9525
Fax (450) 441-4894
Web www.Robarindustries.com



9626 ADJUSTABLE INSERTS

FABRICATED STAINLESS STEEL

PRICE INFORMATION



STANDARD SIZES:

3" to 24" nominal pipe OD.

Larger sizes available on request.

USE:

ROBAR 9626 Adjustable Inserts are for use on thin wall PVC or HDPE, to add hoop strength to pipe when using ROBAR couplings.

Nominal Pipe OD	LIST PRICE		
	Length of Insert		
	6"	8"	12"
3"***	\$ 228.86	\$ 244.92	\$ 342.67
4"***	\$ 228.86	\$ 244.92	\$ 342.67
6"	\$ 238.98	\$ 251.77	\$ 357.23
8"	\$ 247.46	\$ 263.04	\$ 379.19
10"	\$ 259.78	\$ 278.29	\$ 405.80
12"	\$ 276.39	\$ 297.66	\$ 441.43
14"	\$ 286.75	\$ 318.45	\$ 477.64

***FIXED INSERT - NOT ADJUSTABLE

Nominal Pipe OD	LIST PRICE		
	Length of Insert		
	6"	8"	12"
16"	\$ 411.63	\$ 454.99	\$ 671.75
18"	\$ 426.03	\$ 474.19	\$ 718.07
20"	\$ 458.54	\$ 511.54	\$ 796.63
22"	\$ 472.95	\$ 561.23	\$ 841.98
24"	\$ 487.36	\$ 604.53	\$ 906.62

ROBAR INDUSTRIES LTD.

BC Phone (604) 591-8811 / 1-800-663-6553
 Fax (604) 591-5288
 Email: waterworks@robarindustries.com

LES PRODUITS INDUSTRIELS ROBAR INC.

QUEBEC Phone (450) 441-7525 / 1-800-315-9525
 Fax (450) 441-4894
 Web www.Robarindustries.com



Pipe Support Stand

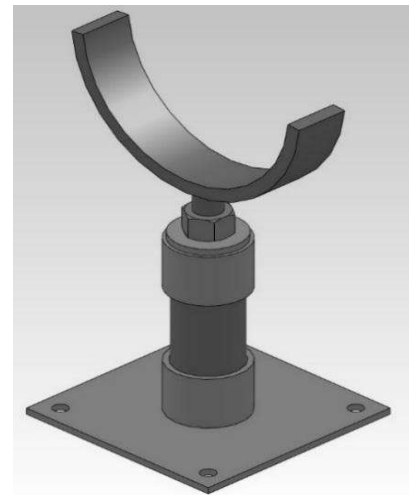
Adjustable Flange Support & Cradle Style

Robar Pipe Support Cradle stand is available 2" through 36"

Description	Weight	LIST PRICE
2"	9	\$ 197.14
2.5"	8	\$ 199.47
3"	8	\$ 200.26
4"	11	\$ 202.20
6"	12	\$ 237.09
8"	13	\$ 243.11
10"	14	\$ 255.75
12"	15	\$ 258.45
14"	32	\$ 591.98
16"	34	\$ 622.30
18"	51	\$ 797.55
20"	55	\$ 839.60
24"	60	\$ 971.46
30"	140	\$ 1,755.62
36"	152	\$ 1,872.38

MATERIAL SPECIFICATIONS:

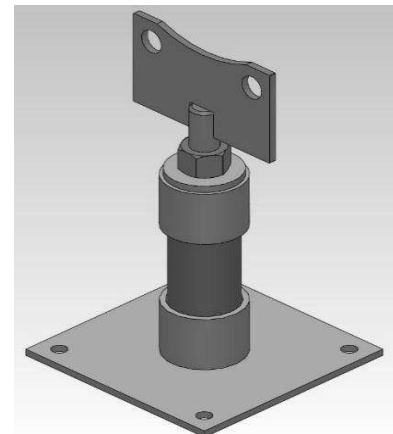
Sleeves: ASTM A53 ERW tubing
 Base Plate: ASTM A36 Steel
 Stud: ASTM A36, rolled thread
 Coating: Hot Dip Galvanized



Note: All saddle straps are formed to ductile iron radius.

Robar Pipe Support Flange stand is available 3" through 24"

Description	Weight	LIST PRICE
3"	7	\$ 186.46
4"	9	\$ 182.59
6"	10	\$ 212.02
8"	11	\$ 213.77
10"	12	\$ 216.30
12"	13	\$ 222.63
14"	22	\$ 405.28
16"	22	\$ 402.08
18"	26	\$ 415.37
20"	27	\$ 412.08
24"	28	\$ 446.00



ROBAR INDUSTRIES LTD.

BC Phone (604) 591-8811 / 1-800-663-6553
 Fax (604) 591-5288
 Email: waterworks@robarindustries.com

LES PRODUITS INDUSTRIELS ROBAR INC.

QUEBEC Phone (450) 441-7525 / 1-800-315-9525
 Fax (450) 441-4894
 Web www.Robarindustries.com



Torque Wrenches, Deep Sockets & OD Tapes SLIKSTYX - Spray on Lubricant

PRICE INFORMATION

SPRAY ON LUBRICANT FOR ALL GASKETED PIPES

Certified to
NSF/ANSI/CAN 61

Product	Item	List Price per Case
16 ounce Regular	ROB - 101	\$ 268.25

12 CANS TO A CASE

Torque Wrenches:

Torque the product right the first time

List Price
\$ 355.35

Recommended torque for Robar Products:

- 1/2 bolts - 45 ft/lbs
- 5/8 bolts - 70-80 ft/lbs
- 3/4 bolts - 80 ft/lbs
- 7/8 bolts - 90 ft/lbs

6" Deep Sockets:

1-1/16" Extra Deep 6 point Drive Socket

List Price
\$ 211.08

Robar OD Tapes:

The 8ft long measuring tape provides the outside diameter of the pipe up to 30" in diameter or a 96" circumference

List Price
\$ 23.98

ROBAR INDUSTRIES LTD.

BC Phone (604) 591-8811 / 1-800-663-6553
Fax (604) 591-5288
Email: waterworks@robarindustries.com

LES PRODUITS INDUSTRIELS ROBAR INC.

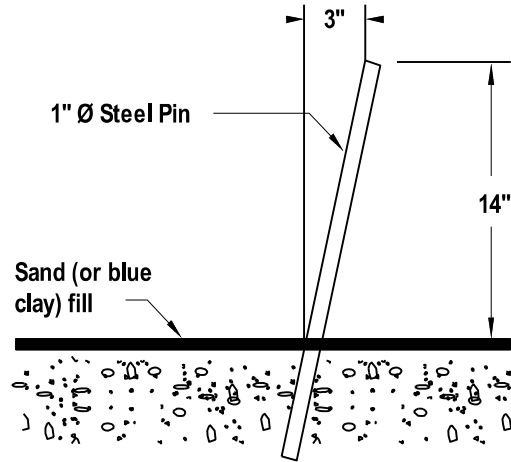
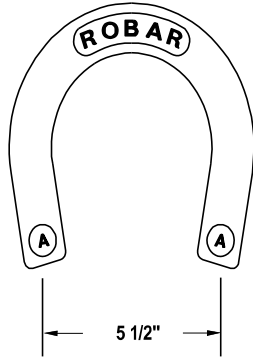
QUEBEC Phone (450) 441-7525 / 1-800-315-9525
Fax (450) 441-4894
Web www.Robarindustries.com



9999 RECREATIONAL HORSESHOES

CAST DUCTILE IRON

PRICE INFORMATION



Maximum Weight is 2-1/2 lbs.
Two pairs of shoes in a set.
Each pair is identified as "A" or "B"

HORSESHOE SET CONTAINS:

- 4 Shoes (Two "A" Shoes, Two "B" Shoes)
- Instructions
- Carton suitable for gift wrapping
- NOT INCLUDED:** 2 Steel Horseshoe Stakes
- Shipping Weight: 10 lbs (4.5 kgs) per set

Quantity	Description	Price per Set
1 Set	Robar Horseshoe Set	\$ 55.12
2 to 5 Sets	Robar Horseshoe Sets	\$ 44.10
6 or more Sets	Robar Horseshoe Sets	\$ 33.07

ROBAR INDUSTRIES LTD.

BC Phone (604) 591-8811 / 1-800-663-6553
Fax (604) 591-5288
Email: waterworks@robarindustries.com

LES PRODUITS INDUSTRIELS ROBAR INC.

QUEBEC Phone (450) 441-7525 / 1-800-315-9525
Fax (450) 441-4894
Web www.Robarindustries.com