

# 2506 & 2508 SERVICE SADDLES

**CAST DUCTILE IRON  
PRICE INFORMATION**

2506 - Designed for tapping into Steel, Ductile, Cast Iron, C900 and AC pipe. Saddle straps and bodies are shaped evenly and safely distribute the clamping load to the pipe. When tightening, the saddle conforms to the various diameters in each nominal size of pipe within the specified working range.

## 2506 SADDLES COMPLETE WITH FLAT WASHERS

Nominal Pipe Size	Working Range		Outlet Sizes AWWA CC or IP	Approximate Shipping Weights		List Price Saddle Body		List Price *Strap Kit	List Price Saddle	
	Low	High*		(LBS.)	(KG)	(SS)	(DS)		(SS)	(DS)
2"	2.23	2.56	3/4 - 1	2.0	0.9	\$ 62.41		\$ 29.33	\$ 93.83	
3"	3.25	3.54	3/4 - 1	2.5	1.1	\$ 63.60		\$ 31.00	\$ 95.63	
4"	4.5	5.4	3/4 - 2	5.0	2.3	\$ 72.46		\$ 35.02	\$ 105.25	
				6.5	2.9		\$ 78.63			\$ 144.15
6"	6.62	7.5	3/4 - 2	6.0	2.7	\$ 74.16		\$ 39.34	\$ 111.02	
				8.5	3.9		\$ 88.83			\$ 162.54
8"	8.62	9.62	3/4 - 2	6.5	2.9	\$ 93.90		\$ 43.68	\$ 134.78	
				10.0	4.5		\$ 100.09			\$ 181.90
10"	10.75	12.12	3/4 - 2	7.5	3.4	\$ 103.52		\$ 52.78	\$ 152.98	
				11.5	5.2		\$ 106.16			\$ 205.04
12"	12.75	14.38	3/4 - 2	11.5	5.2	\$ 109.05		\$ 59.12	\$ 164.31	
				12.5	5.7		\$ 136.69			\$ 247.33
14"	15.15	16.00	3/4 - 2	15.0	6.8			\$ 60.60		\$ 306.10
	17.25	17.80								
16"	17.80	18.00	3/4 - 2	19.0	8.6			\$ 69.71		\$ 364.86

## 2508 SADDLES COMPLETE WITH FLAT WASHERS

2508 - Designed for tapping into Steel, Ductile and Cast Iron pipe. Not suitable on Plastic pipe

Nominal Pipe Size	Working Range		Outlet Sizes AWWA CC or IP	Approximate Shipping Weights		List Price Saddle Body		List Price *Strap Kit	List Price Saddle	
	Low	High*		(LBS.)	(KG)	(SS)	(DS)		(SS)	(DS)
4"	4.5	5.4	3/4 - 2	5.0	2.3	\$ 72.46		\$ 21.37	\$ 95.94	
				6.5	2.9		\$ 78.63			\$ 136.75
6"	6.62	7.5	3/4 - 2	6.0	2.7	\$ 74.16		\$ 29.87	\$ 101.49	
				8.5	3.9		\$ 88.83			\$ 149.56
8"	8.62	9.62	3/4 - 2	6.5	2.9	\$ 93.90		\$ 31.54	\$ 116.98	
				10.0	4.5		\$ 100.09			\$ 168.20
10"	10.75	12.12	3/4 - 2	7.5	3.4	\$ 103.52		\$ 35.61	\$ 130.15	
				11.5	5.2		\$ 106.16			\$ 184.61
12"	12.75	14.38	3/4 - 2	11.5	5.2	\$ 109.05		\$ 37.99	\$ 154.16	
				12.5	5.7		\$ 136.69			\$ 218.59
14"	15.15	16.00	3/4 - 2	15.0	6.8			\$ 39.14		\$ 264.31
	17.25	17.80								
16"	17.80	18.00	3/4 - 2	19.0	8.6			\$ 39.21		\$ 312.54

\* STRAP KIT consist of 1x Strap, 2x Nuts, 2x Washers

### ROBAR INDUSTRIES LTD.

**BC** Phone (604) 591-8811 / 1-800-663-6553  
 Fax (604) 591-5288  
 Email: waterworks@robarindustries.com

### LES PRODUITS INDUSTRIELS ROBAR INC.

**QUEBEC** Phone (450) 441-7525 / 1-800-315-9525  
 Fax (450) 441-4894  
 Web www.Robarindustries.com



# 2616 SERVICE SADDLES

## FABRICATED STAINLESS STEEL PRICE INFORMATION

Nominal Pipe Size	Outlet Size	Double Bolt List Price		Working Range		
		IP	CC	Low	Pipe OD	High
2"	3/4"	\$ 164.07	\$ 160.22	2.00		2.25
	1"	\$ 166.80	\$ 168.95	2.30	2.38	2.50
	1 1/4" (IP only)	\$ 193.10		2.50		2.70
2 1/2" & 3"	3/4"	\$ 169.20	\$ 165.65	2.70	2.88	2.90
	1"	\$ 174.00	\$ 174.37	2.90		3.15
	1 1/4" (IP only)	\$ 208.28		3.35	3.50	3.65
	1 1/2" (IP only)	\$ 208.28		3.40		3.80
	2" (IP only)	\$ 267.39		3.70	3.80	3.95
4"	3/4"	\$ 164.65	\$ 164.08	4.00		4.40
	1"	\$ 173.59	\$ 172.60	4.20	4.50	4.60
	1 1/4"	\$ 243.05	\$ 225.25	4.40		4.80
	1 1/2"	\$ 222.50	\$ 267.43	4.60	4.80	5.00
	2"	\$ 248.59	\$ 285.78	4.80		5.20
					5.20	5.60
6"	3/4"	\$ 176.95	\$ 176.34	6.00		6.40
	1"	\$ 185.43	\$ 184.80	6.40	6.63	6.80
	1 1/4"	\$ 260.60	\$ 242.68	6.60	6.90	7.00
	1 1/2"	\$ 239.86	\$ 284.93	6.80		7.20
	2"	\$ 267.09	\$ 304.49	7.20		7.60
8"	3/4"	\$ 184.02	\$ 182.74	8.00		8.40
	1"	\$ 191.88	\$ 191.24	8.40	8.63	8.80
	1 1/4"	\$ 276.20	\$ 258.36	8.60	9.05	9.05
	1 1/2"	\$ 255.58	\$ 300.64	8.90		9.30
	2"	\$ 282.83	\$ 320.24	9.20		9.60
10"	3/4"	\$ 203.36	\$ 218.73	9.60		10.00
	1"	\$ 211.88	\$ 227.24	10.00		10.40
	1 1/4"	\$ 291.77	\$ 273.95	10.40	10.75	10.80
	1 1/2"	\$ 271.18	\$ 316.16	10.70	11.10	11.10
	2"	\$ 298.20	\$ 335.65	10.90		11.30
					11.60	12.00
12"	3/4"	\$ 213.59	\$ 229.66	12.00		12.40
	1"	\$ 222.85	\$ 238.16	12.40	12.75	12.80
	1 1/4"	\$ 306.33	\$ 288.42	12.75	13.20	13.20
	1 1/2"	\$ 285.86	\$ 330.68	13.10		13.40
	2"	\$ 312.85	\$ 350.28	13.60		14.00

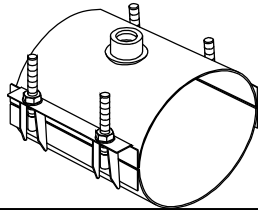
Note: This product can be manufactured to your specification. Contact Robar.  
 The high limit of the range is used in the ordering code  
 Large Outlets: 2-1/2" and 3" IP outlets are available in the 2626 series only  
 The price is determined by the outlet size and type, not by the working range.

### ROBAR INDUSTRIES LTD.

BC Phone (604) 591-8811 / 1-800-663-6553  
 Fax (604) 591-5288  
 Email: waterworks@robarindustries.com

### LES PRODUITS INDUSTRIELS ROBAR INC.

QUEBEC Phone (450) 441-7525 / 1-800-315-9525  
 Fax (450) 441-4894  
 Web: www.Robarindustries.com



# 2626 SERVICE SADDLES

## FABRICATED STAINLESS STEEL

### PRICE INFORMATION

Nominal Pipe Size	Outlet Size	Double Bolt List Price		Working Range		
		IP	CC	Low	Pipe OD	High
3"	3/4"	\$ 226.11	\$ 232.37	3.45	3.50	4.25
	1"	\$ 230.54	\$ 240.81			
4"	3/4"	\$ 256.34	\$ 262.60	4.45	4.50	5.25
	1"	\$ 260.77	\$ 271.07	4.74	4.80	5.54
	1 1/4"	\$ 316.64	\$ 330.22	5.35		6.15
	1 1/2"	\$ 346.19	\$ 378.64	5.90		6.70
	2"	\$ 358.34	\$ 404.61			
6"	3/4"	\$ 266.81	\$ 273.11	6.40	6.63	7.20
	1"	\$ 271.28	\$ 281.52	6.85	6.90	7.65
	1 1/4"	\$ 334.24	\$ 347.71	7.05		7.85
	1 1/2"	\$ 363.69	\$ 396.06			
	2"	\$ 375.90	\$ 422.09			
	2 1/2" & 3"	\$ 711.00				
8"	3/4"	\$ 276.24	\$ 282.53	7.95	8.63	8.75
	1"	\$ 280.72	\$ 291.00	8.40		9.20
	1 1/4"	\$ 349.93	\$ 363.46	9.00	9.05	9.80
	1 1/2"	\$ 379.41	\$ 411.81	9.30		10.10
	2"	\$ 391.54	\$ 437.82			
	2 1/2" & 3"	\$ 726.67				
10"	3/4"	\$ 303.73	\$ 309.94	10.00		10.80
	1"	\$ 308.12	\$ 317.95	10.40	10.75	11.20
	1 1/4"	\$ 365.36	\$ 378.87	11.05	11.10	11.85
	1 1/2"	\$ 394.87	\$ 427.26	11.40		12.20
	2"	\$ 407.07	\$ 453.35			
	2 1/2" & 3"	\$ 742.20				

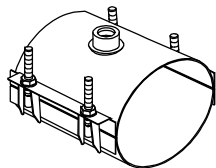
Note: 2 1/2" and 3" IP outlets available on nominal size 6" and above.  
 This product can be manufactured to your specification. Contact Robar.  
 The high limit of the range is used in the ordering code  
 The price is determined by the outlet size and type, not by the working range.

**ROBAR INDUSTRIES LTD.**

**BC** Phone: (604) 591-8811 / 1-800-663-6553  
 Fax: (604) 591-5288  
 Email: [waterworks@robar.com](mailto:waterworks@robar.com)

**LES PRODUITS INDUSTRIELS ROBAR INC.**

**QUEBEC** Phone (450) 441-7525 / 1-800-315-9525  
 Fax (450) 441-4894  
 Web: [www.Robarindustries.com](http://www.Robarindustries.com)



# 2626 SERVICE SADDLES

## FABRICATED STAINLESS STEEL PRICE INFORMATION

Nominal Pipe Size	Outlet Size	Double Bolt List Price		Working Range		
		IP	CC	Low	Pipe OD	High
12"	3/4"	\$ 314.74	\$ 320.86	12.00		12.80
	1"	\$ 319.07	\$ 329.38	12.20	12.75	13.00
	1 1/4"	\$ 379.93	\$ 393.42	13.10	13.20	13.90
	1 1/2"	\$ 409.48	\$ 441.89	13.40	14.00	14.20
	2"	\$ 421.63	\$ 467.81	13.70		14.50
	2 1/2" & 3"	\$ 756.75				
14"	3/4"	\$ 322.00	\$ 328.98	14.00		14.80
	1"	\$ 327.15	\$ 337.44	14.95	15.30	15.75
	1 1/4"	\$ 390.78	\$ 404.25			
	1 1/2"	\$ 420.20	\$ 452.66			
	2"	\$ 432.43	\$ 478.64			
	2 1/2" & 3"	\$ 767.56				
16"	3/4"	\$ 337.31	\$ 343.57	15.60	16.00	16.40
	1"	\$ 341.78	\$ 352.06	16.40		17.20
	1 1/4"	\$ 410.21	\$ 423.74	17.20	17.40	18.00
	1 1/2"	\$ 439.78	\$ 472.16			
	2"	\$ 451.96	\$ 498.16			
	2 1/2" & 3"	\$ 787.09				
18"	3/4"	\$ 346.14	\$ 352.42	17.60	18.00	18.40
	1"	\$ 350.60	\$ 360.87	18.00		18.80
	1 1/4"	\$ 421.99	\$ 435.45	18.40		19.20
	1 1/2"	\$ 451.48	\$ 483.87	18.80		19.60
	2"	\$ 463.66	\$ 509.89	19.20	19.50	20.00
	2 1/2" & 3"	\$ 798.75				

Note: This product can be manufactured to your specification. Contact Robar.  
 The high limit of the range is used in the ordering code  
 The price is determined by the outlet size and type, not by the working range.  
 2 1/2" and 3" IP outlets available on nominal size 6" and above.

### ROBAR INDUSTRIES LTD.

**BC** Phone: (604) 591-8811/ 1-800-663-6553  
 Fax: (604) 591-5288  
 Email: [waterworks@robar.com](mailto:waterworks@robar.com)

### LES PRODUITS INDUSTRIELS ROBAR INC.

**QUEBEC** Phone (450) 441-7525/ 1-800-315-9525  
 Fax (450) 441-4894  
 Web: [www.robarindustries.com](http://www.robarindustries.com)



# 2636 SERVICE SADDLES

## FABRICATED STAINLESS STEEL

### PRICE INFORMATION

Nominal Pipe Size	Outlet Size	Double Bolt List Price		Working Range		
		IP	CC	Low	Pipe OD	High
16"	3/4"	\$ 408.76	\$ 414.99	15.92		17.12
	1"	\$ 413.18	\$ 423.49	16.25		17.45
	1 1/4"	\$ 481.58	\$ 495.12	17.10	17.40	18.30
	1 1/2"	\$ 511.20	\$ 543.56			
	2"	\$ 523.25	\$ 569.59			
	2 1/2" & 3"	\$ 858.39				
18"	3/4"	\$ 417.57	\$ 423.77	17.40	18.00	18.60
	1"	\$ 421.99	\$ 432.21	19.20	19.50/20.00	20.40
	1 1/4"	\$ 493.39	\$ 506.86			
	1 1/2"	\$ 522.82	\$ 555.22			
	2"	\$ 535.03	\$ 581.31			
	2 1/2" & 3"	\$ 870.17				
20"	3/4"	\$ 452.12	\$ 458.40	21.40	21.60	22.60
	1"	\$ 456.56	\$ 466.87	22.80		24.00
	1 1/4"	\$ 539.62	\$ 553.15			
	1 1/2"	\$ 569.09	\$ 601.57			
	2"	\$ 581.33	\$ 628.26			
	2 1/2" & 3"	\$ 916.45				
24"	3/4"	\$ 469.71	\$ 475.92	23.45	24.00	24.65
	1"	\$ 474.13	\$ 484.41	24.45		25.65
	1 1/4"	\$ 563.11	\$ 576.54	25.50	25.80	26.70
	1 1/2"	\$ 592.55	\$ 625.02			
	2"	\$ 604.70	\$ 650.98			
	2 1/2" & 3"	\$ 939.83				
26" - 30"***	3/4"	\$ 493.16	\$ 534.44	28.25		29.45
	1"	\$ 497.83	\$ 508.65	29.40	30.00	30.60
	1 1/4"	\$ 591.27	\$ 605.39	29.85		31.05
	1 1/2"	\$ 622.19	\$ 656.27	30.85		32.05
	2"	\$ 634.96	\$ 683.53	31.50	32.00	32.70
	2 1/2" & 3"	\$ 970.08				

\*\*\*only rated for 50 PSI. Use a carbon steel tapping sleeve for higher pressures. Contact Robar.

Note: This product can be manufactured to your specification. Contact Robar.

The high limit of the range is used in the ordering code

The price is determined by the outlet size and type, not by the working range.

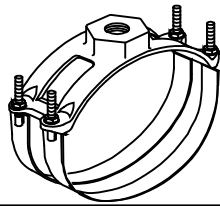
2 1/2" and 3" IP outlets available on nominal size 6" and above.

#### ROBAR INDUSTRIES LTD.

BC Phone (604) 591-8811 / 1-800-663-6553  
 Fax (604) 591-5288  
 Email: waterworks@robarindustries.com

#### LES PRODUITS INDUSTRIELS ROBAR INC.

QUEBEC Phone (450) 441-7525 / 1-800-315-9525  
 Fax (450) 441-4894  
 Web: www.Robarindustries.com



# 2706 SERVICE SADDLES

CAST BRONZE

PRICE INFORMATION

**ROBAR 2706** Service Saddles are strong and resist corrosion. They fit pipes from Steel to Rough Barrel A/C. Flexible straps adapt readily to the pipe, evenly distributing load and easing installation.

Nominal Pipe Size	Working Range	Outlet Sizes AWWA CC or IP	Approximate Shipping Weights		Strap Style	Saddle Body Each	*Strap Kit	Complete Saddle List Price
			(LBS.)	(KG)				
4"	4.50-4.80	3/4 - 2	6.5	2.9	DS	\$175.62	\$ 47.81	\$ 271.73
6"	6.60-7.45 7.10-7.60	3/4 - 2	8.5	3.9	DS	\$203.50	\$ 53.71	\$ 310.95
8"	8.60-9.80	3/4 - 2	9.5	4.2	DS	\$208.59	\$ 59.64	\$ 327.91
10"	10.70-11.20 11.10-12.30	3/4 - 2	10.1	4.5	DS	\$233.20	\$ 87.00	\$ 356.22
12"	12.70 -13.30 13.10-14.55	3/4 - 2	12.0	5.5	DS	\$238.30	\$ 88.80	\$ 415.77
14"	15.10-15.70 15.20-16.85	3/4 - 2	14.0	6.5	DS	\$270.27	\$ 101.62	\$ 473.43
16"	17.20-18.00 17.40-19.00	3/4 - 2	16.0	7.0	DS	\$295.37	\$ 108.27	\$ 511.69
18" - 20"	18.60-20.40 19.50-21.30 19.70-21.50 21.00-22.80	3/4 - 2	17.0	7.5	DS	\$331.20	\$ 147.24	\$ 625.69
24"	23.75-24.75 25.65-26.50 26.55-27.55 29.60-30.50	3/4 - 2	18.0	8.0	DS	\$549.05	\$ 193.75	\$ 936.61

Note: The high limit of the range is used in the ordering code  
Large Outlets: 2-1/2" and 3" IP outlets are available in the 2626 series only

\* STRAP KIT consist of 1x Strap, 2x Nuts, 2x Washers

### ROBAR INDUSTRIES LTD.

BC Phone (604) 591-8811 / 1-800-663-6553  
Fax (604) 591-5288  
Email waterworks@robarindustries.com

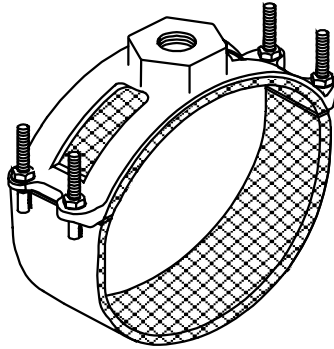
### LES PRODUITS INDUSTRIELS ROBAR INC.

QUEBEC Phone (450) 441-7525 / 1-800-315-9525  
Fax (450) 441-4894  
Web www.Robarindustries.com



# 2786 SERVICE SADDLES

CAST BRONZE  
PRICE INFORMATION



**Sizes Available:** 4" - 20" Nominal Pipe OD  
Outlets from 3/4" - 2" in AWWA taper (CC) or female iron pipe thread (IP)  
Fits Steel (IPS), Ductile Iron and Cast Iron Pipe

**Use:**  
ROBAR 2786 Isolating Saddle are used to electrically isolate an outlet or service line from a main distribution line. Primarily used in cathodically protected systems or to separate dissimilar metals. Waterworks Bronze and Passivated T-304 stainless steel are "noble" materials which are closely related to each other near the top of the Galvanic Scale or corrosion resistance. Unlike pairs of widely dissimilar metals, they will both exhibit long life in most "hot" soil environments.

### Material Specification:

Saddle Body: Waterworks Bronze (ASTM B62 and AWWA C-800)  
Gaskets: SBR (BUNA-S) Rubber Isolating Compound  
Strap & Armor: T-304 Stainless Steel, fully passivated  
Fasteners: 1/2" NC T-304 Stainless Steel studs, rolled threads

Nominal Pipe Size	Working Range		List Price
	Low	High*	
4"	4.50	4.80	\$ 488.81
6"	6.60	7.40	\$ 503.09
8"	8.60	9.40	\$ 519.39
10"	10.70	11.50	\$ 556.82
12"	12.70	13.50	\$ 578.36
14"	13.80	14.40	\$ 700.73
	15.20	16.00	\$ 700.73
16"	17.20	18.00	\$ 771.69
18"	19.20	20.00	\$ 807.77
20"	20.80	21.90	\$ 852.88

### HOW TO ORDER:

Determine the product number (2786), the high limit of range (see above table), outlet size and outlet thread, and then use the appropriate ordering code as shown in the example.

**2786 - 7.40" x 3/4" CC**  
ie. - 2786 - 7.40 x 3/4CC

Note: The 2786 is designed to be installed with a maximum torque of 45 ft. lbs.  
\* The high limit of the range is used in the ordering code

### ROBAR INDUSTRIES LTD.

BC Phone (604) 591-8811 / 1-800-663-6553  
Fax (604) 591-5288  
Email: waterworks@robarindustries.com

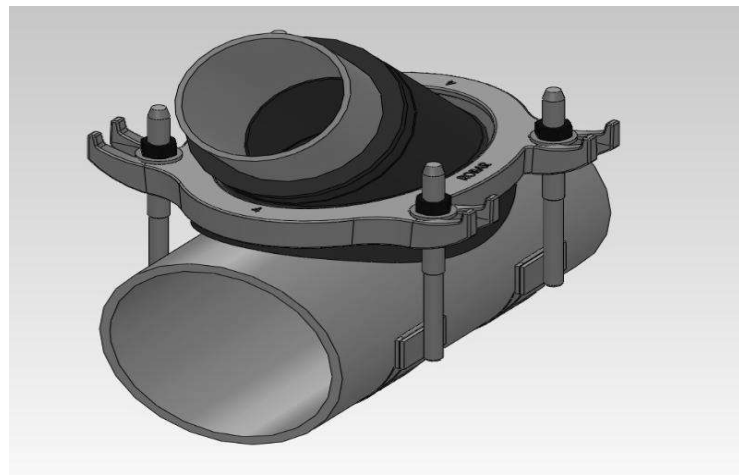
### LES PRODUITS INDUSTRIELS ROBAR INC.

QUEBEC Phone (450) 441-7525 / 1-800-315-9525  
Fax (450) 441-4894  
Web: www.Robarindustries.com



# 3506 SEWER SADDLE

45 degree Outlet  
PRICE INFORMATION



### Standard Sizes:

6" to 48" Nominal Pipe OD on main line, 4" IPS & SDR inlet line. Sizes other than those specified may be ordered by contacting ROBAR.

### Material Specification:

Body: Cast Ductile Iron per ASTM A536

Gasket: NBR per ASTM D2000 formulated with Anti-freezing and anti-ozone agent

Strap: 1-1/2" wide T-304 Stainless steel, 24 gauge, fully passivated

			LIST PRICE
Nominal Pipe Size	Working Range	Strap Length	3506 Epoxy
6" - 10"	6.27" - 12.75"	36"	\$ 283.46
12"	12.75" - 14.40"	48"	\$ 298.42
14" - 24"	14.40" - 25.80"	96"	\$ 318.69
26" - 48"	25.80" - 54.00"	192"	\$ 437.95

Must specify when ordering which gasket size is required. 4.21" or 4.50"

### HOW TO ORDER:

Determine the product number (3506), the OD of sewer main and the actual OD of the branch, then order by using the appropriate ordering code as shown in the following example.

If a 4" branch (4.50"OD) off a 12" HDPE sewer main is required, the ordering code is:

**3506 - 12.75" x 4.50"**

### ROBAR INDUSTRIES LTD.

BC Phone (604) 591-8811 / 1-800-663-6553  
Fax (604) 591-5288  
Email: waterworks@robarindustries.com

### LES PRODUITS INDUSTRIELS ROBAR INC.

QUEBEC Phone (450) 441-7525 / 1-800-315-9525  
Fax (450) 441-4894  
Web: www.Robarindustries.com