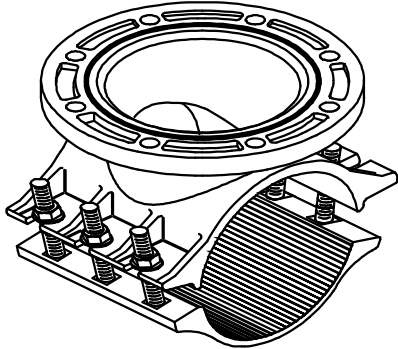


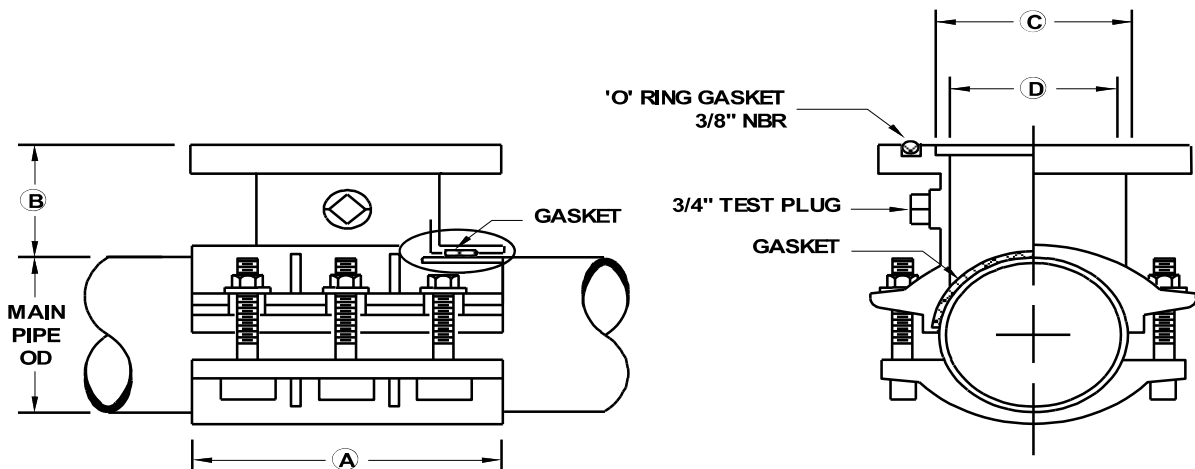


6508 & 6506 TAPPING SLEEVES

CAST DUCTILE IRON
PRICE INFORMATION



Nominal Pipe Size	Working Range	Ordering Code	List Price	
			Epoxy	
			6508	6506
4 x 4	4.74 - 5.10	PN - 4" x 4" x OD	\$ 908.98	\$1,122.45
6 x 4	6.86 - 7.10	PN - 6" x 4" x OD	\$ 936.87	\$1,157.58
6 x 6	6.86 - 7.10	PN - 6" x 6" x OD	\$1,168.87	\$1,314.19
8 x 4	8.99 - 9.30	PN - 8" x 4" x OD	\$1,001.53	\$1,215.36
8 x 6	8.99 - 9.31	PN - 8" x 6" x OD	\$1,044.63	\$1,317.05
8 x 8	8.99 - 9.32	PN - 8" x 8" x OD	\$1,390.73	\$1,615.93



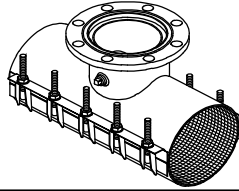
Nominal Size	Outlet Size	Sleeve Length	Flange Height (B)	Spigot OD	Branch ID (D)	Number of Bolts	Bolt Size
4"	4	8	3 5/8	5 1/32	4 3/8	6	3/4
6"	4	8 1/2	3 5/8	5 1/32	4 3/8	6	3/4
	6	8 1/2	3 5/8	7 1/32	6 3/8	6	3/4
8"	4	8 1/2	3 3/4	5 1/32	4 3/8	6	3/4
	6	8 1/2	3 3/4	7 1/32	6 3/8	6	3/4
	8	8 1/2	3 3/4	9 1/32	8 3/8	6	3/4

ROBAR INDUSTRIES LTD.

BC Phone (604) 591-8811 / 1-800-663-6553
 Fax (604) 591-5288
 Email waterworks@robarindustries.com

LES PRODUITS INDUSTRIELS ROBAR INC.

QUEBEC Phone (450) 441-7525 / 1-800-315-9525
 Fax (450) 441-4894
 Web www.Robarindustries.com



6606 TAPPING SLEEVES

STAINLESS STEEL
PRICE INFORMATION

Nominal Pipe Size	By x	Outlet Size	LIST PRICE	Fitting Length	Number of Bolts	Working Range	
						LOW	HIGH
4"	x	3	\$ 1,379.71	12	8	4.70	4.95
		4	\$ 1,379.71	12	8	4.95	5.20
6"	x	3	\$ 1,379.71	12	8	6.40	6.80
		4	\$ 1,379.71	12	8	6.80	7.20
6"	x	6	\$ 1,886.26	16	10	7.20	7.60
						6.75	7.00
						6.85	7.10
						7.00	7.25
8"	x	3	\$ 1,393.58	12	8	7.25	7.50
		4	\$ 1,393.58	12	8	8.40	8.80
		6	\$ 1,694.08	16	10	8.80	9.20
8"	x	8	\$ 2,726.01	20	12	9.20	9.60
						8.95	9.20
10"	x	3	\$ 1,456.80	12	8	9.25	9.50
		4	\$ 1,456.80	12	8	10.55	10.95
		6	\$ 1,872.56	16	10	10.90	11.30
		8	\$ 2,671.94	20	14	10.90	11.30
		10	\$ 3,382.50	20	14	11.30	11.70
12"	x	3	\$ 1,576.07	12	8	11.90	12.30
		4	\$ 1,576.07	12	8	12.15	12.55
		6	\$ 2,026.51	16	10	12.55	12.95
		8	\$ 2,864.52	20	14	13.00	13.40
		10	\$ 3,309.39	20	14	13.40	13.80
		12	\$ 4,671.96	24	16	13.80	14.20
14"	x	3	\$ 1,715.78	12	8	15.10	15.50
		4	\$ 1,715.78	12	8	15.50	15.90
		6	\$ 2,208.06	16	10	15.80	16.20
		8	\$ 3,091.43	20	14	16.20	16.60
		10	\$ 3,553.76	20	14		
		12	\$ 5,000.34	24	16		

All dimensions are in inches

Continued...

Note: Size on size for IPS OD is not available.
When ordering a 6606 tapping sleeve, price is determined by the flange size and not by working range.
The working range is only a guideline, other ranges can be fabricated.

ROBAR INDUSTRIES LTD.

BC Phone (604) 591-8811 / 1-800-663-6553
Fax (604) 591-5288
Email waterworks@robarindustries.com

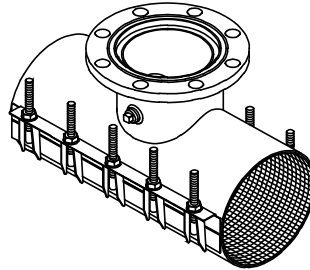
LES PRODUITS INDUSTRIELS ROBAR INC.

QUEBEC Phone (450) 441-7525 / 1-800-315-9525
Fax (450) 441-4894
Web www.Robarindustries.com



6606 TAPPING SLEEVES

STAINLESS STEEL
PRICE INFORMATION



Nominal Pipe Size	By x	Outlet Size	LIST PRICE	Fitting Length	Number of Bolts	Working Range	
						LOW	HIGH
16"	x	3	1,805.08	12	8	17.20	17.60
		4	1,805.08	12	8	17.40	17.80
		6	2,323.68	16	10	17.80	18.20
		8	3,236.01	20	14	18.40	18.80
		10	3,694.16	20	14	18.80	19.20
		12	5,159.14	24	16		
18"	x	3	1,939.41	12	12	19.30	19.70
		4	1,939.41	12	12	19.80	20.20
		6	2,497.86	16	15	20.20	20.60
		8	3,453.61	20	21		
		10	3,898.59	20	21		
		12	5,317.89	24	24		
20"	x	3	1,983.56	12	12	21.40	21.80
		4	1,983.56	12	12	22.00	22.40
		6	2,555.01	16	15	22.60	23.00
		8	3,525.14	20	21		
		10	3,975.25	20	21		
		12	5,476.81	24	24		
24"	x	3	2,207.25	12	12	23.20	23.60
		4	2,207.25	12	12	23.80	24.20
		6	2,844.85	16	15	25.60	26.00
		8	3,887.35	20	21		
		10	4,361.17	20	21		
		12	5,794.14	24	24		

All dimensions are in inches

Note: When ordering a 6606 tapping sleeve, price is determined by the flange size and not by working range.
The working range is only a guideline, other ranges can be fabricated.

ROBAR INDUSTRIES LTD.

BC Phone (604) 591-8811 / 1-800-663-6553
 Fax (604) 591-5288
 Email waterworks@robarindustries.com

LES PRODUITS INDUSTRIELS ROBAR INC.

QUEBEC Phone (450) 441-7525 / 1-800-315-9525
 Fax (450) 441-4894
 Web www.Robarindustries.com



6606 BOLT BRACKET TAPPING SLEEVES

STAINLESS STEEL
PRICE INFORMATION

Nominal Pipe Size	By x	Outlet Size	LIST PRICE	Fitting Length	Number of Bolts	Working Range	
						LOW	HIGH
6"	x	4	\$ 1,703.25	12	8	6.40	6.80
						6.80	7.20
						7.20	7.60
6"	x	6	\$ 2,282.82	16	10	6.75	7.00
						6.85	7.10
						7.00	7.25
						7.25	7.50
						8.40	8.80
8"	x	3	\$ 1,897.23	12	8	8.80	9.20
		4	\$ 1,897.23	12	8	9.20	9.60
		6	\$ 2,264.28	16	10	8.95	9.20
8"	x	8	\$ 3,177.62	20	12	9.25	9.50
						10.55	10.95
10"	x	3	\$ 1,825.32	12	8	10.90	11.30
		4	\$ 1,825.32	12	8	11.30	11.70
		6	\$ 2,420.45	16	10	11.90	12.30
		8	\$ 3,127.65	20	14		
		10	\$ 3,956.84	20	14		
12"	x	3	\$ 1,952.79	12	8	12.15	12.55
		4	\$ 1,952.79	12	8	12.55	12.95
		6	\$ 2,585.76	16	10	13.00	13.40
		8	\$ 3,340.17	20	14	13.40	13.80
		10	\$ 3,838.89	20	14	13.80	14.20
		12	\$ 5,312.94	24	16		
14"	x	3	\$ 2,101.57	12	8	15.10	15.50
		4	\$ 2,101.57	12	8	15.50	15.90
		6	\$ 2,764.92	16	10	15.80	16.20
		8	\$ 3,581.39	20	14	16.20	16.60
		10	\$ 4,135.32	20	14		
		12	\$ 5,680.09	24	16		

All dimensions are in inches

Continued...

Note: Size on size for IPS OD is not available.

When ordering a 6606BB tapping sleeve, price is determined by the flange size and not by working range.

The working range is only a guideline, other ranges can be fabricated.

ROBAR INDUSTRIES LTD.

BC Phone (604) 591-8811 / 1-800-663-6553
 Fax (604) 591-5288
 Email waterworks@robarindustries.com

LES PRODUITS INDUSTRIELS ROBAR INC.

QUEBEC Phone (450) 441-7525 / 1-800-315-9525
 Fax (450) 441-4894
 Web www.Robarindustries.com



6606 BOLT BRACKET TAPPING SLEEVES

STAINLESS STEEL
PRICE INFORMATION

Nominal Pipe Size	By x	Outlet Size	LIST PRICE	Fitting Length	Number of Bolts	Working Range	
						LOW	HIGH
16"	x	3	\$ 2,196.01	12	8	17.20	17.60
		4	\$ 2,196.01	12	8	17.40	17.80
		6	\$ 2,882.96	16	10	17.80	18.20
		8	\$ 3,734.89	20	14	18.40	18.80
		10	\$ 4,258.02	20	14	18.80	19.20
		12	\$ 5,897.34	24	16		
18"	x	3	\$ 2,561.90	12	12	19.30	19.70
		4	\$ 2,561.90	12	12	19.80	20.20
		6	\$ 3,087.76	16	15	20.20	20.60
		8	\$ 3,880.62	20	21		
		10	\$ 4,518.30	20	21		
		12	\$ 5,951.66	24	24		
20"	x	3	\$ 2,607.98	12	12	21.40	21.80
		4	\$ 2,607.98	12	12	22.00	22.40
		6	\$ 3,147.90	16	15	22.60	23.00
		8	\$ 3,954.77	20	21		
		10	\$ 4,674.80	20	21		
		12	\$ 6,141.18	24	24		
24"	x	3	\$ 2,839.09	12	12	23.20	23.60
		4	\$ 2,839.09	12	12	23.80	24.20
		6	\$ 3,654.43	16	15	25.60	26.00
		8	\$ 4,593.12	20	21		
		10	\$ 4,875.86	20	21		
		12	\$ 6,565.71	24	24		

All dimensions are in inches

Note: When ordering a 6606BB tapping sleeve, price is determined by the flange size and not by working range.

The working range is only a guideline, other ranges can be fabricated.

ROBAR INDUSTRIES LTD.

BC Phone (604) 591-8811 / 1-800-663-6553
 Fax (604) 591-5288
 Email waterworks@robarindustries.com

LES PRODUITS INDUSTRIELS ROBAR INC.

QUEBEC Phone (450) 441-7525 / 1-800-315-9525
 Fax (450) 441-4894
 Web www.Robarindustries.com



Stainless Steel MJ Tapping Sleeves

6606MJ, 6606MJBB, 6606CSMJ, 6606CSMJBB

PRICE INFORMATION

Nominal Pipe Size	By x	Outlet Size	LIST PRICE				Fitting Length	Number of Bolts	Working Range		
			6606 MJ	6606 CSMJ	6606 MJBB	6606 CSMJBB			LOW	HIGH	
			6"	x	3	\$1,755.76			\$1,279.76	\$2,106.93	\$ 1,630.89
		4	\$1,755.76	\$1,279.76	\$2,106.93	\$ 1,630.89	12	8	6.80	7.20	
										7.20	7.60
6"	x	6	\$2,243.46	\$1,708.94	\$2,674.56	\$ 2,138.13	16	10	6.75	7.00	
										6.85	7.10
										7.00	7.25
										7.25	7.50
8"	x	3	\$1,775.27	\$1,320.71	\$2,321.52	\$ 1,671.87	12	8	8.40	8.80	
		4	\$1,775.27	\$1,320.71	\$2,321.52	\$ 1,671.87	12	8	8.80	9.20	
		6	\$2,341.02	\$1,765.52	\$2,959.41	\$ 2,188.86	16	10	9.20	9.60	
8"	x	8	\$3,160.35	\$2,337.10	\$3,648.07	\$ 2,826.77	20	12	8.95	9.20	
										9.25	9.50
10"	x	3	\$1,824.02	\$1,365.58	\$2,223.97	\$ 1,708.93	12	8	10.55	10.95	
		4	\$1,824.02	\$1,365.58	\$2,223.97	\$ 1,708.93	12	8	10.90	11.30	
		6	\$2,415.16	\$1,822.08	\$3,010.15	\$ 2,222.02	16	10	11.30	11.70	
		8	\$3,277.41	\$2,430.74	\$3,772.91	\$ 2,924.33	20	14	11.90	12.30	
		10	\$3,726.11	\$2,575.10	\$4,348.43	\$ 3,197.44	20	14			
12"	x	3	\$1,911.82	\$1,416.31	\$2,321.52	\$ 1,755.76	12	8	12.15	12.55	
		4	\$1,911.82	\$1,416.31	\$2,321.52	\$ 1,755.76	12	8	12.55	12.95	
		6	\$2,487.33	\$1,898.17	\$3,094.02	\$ 2,407.33	16	10	13.00	13.40	
		8	\$3,326.20	\$2,485.36	\$3,843.15	\$ 3,000.41	20	14	13.40	13.80	
		10	\$3,862.67	\$2,653.14	\$4,438.17	\$ 3,226.67	20	14	13.80	14.20	
		12	\$5,267.27	\$3,413.96	\$5,961.77	\$ 4,108.47	24	16			
14"	x	3	\$2,097.15	\$1,547.02	\$2,516.59	\$ 1,886.47	12	8	15.10	15.50	
		4	\$2,097.15	\$1,547.02	\$2,516.59	\$ 1,886.47	12	8	15.50	15.90	
		6	\$2,692.17	\$2,095.22	\$3,296.92	\$ 2,561.46	16	10	15.80	16.20	
		8	\$3,609.06	\$2,740.94	\$4,141.63	\$ 3,271.56	20	14	16.20	16.60	
		10	\$4,061.67	\$2,865.77	\$4,691.78	\$ 3,495.91	20	14			
		12	\$5,624.27	\$3,669.54	\$6,361.69	\$ 4,405.01	24	16			

All dimensions are in inches

Continued...

6606MJ - Stainless steel tapping sleeve with a MJ connection. Supplied with lifter bars.

6606MJBB - Stainless steel tapping sleeve with a MJ connection. Supplied with bolt bracket closures.

6606CSMJ - Stainless steel tapping sleeve with a mild steel, epoxy coated MJ connection. Supplied with lifter bars.

6606CSMJBB - Stainless steel tapping sleeve with a MJ connection. Supplied with lifter bars

Note: Size on size for IPS OD is not available.

When ordering a 6606 tapping sleeve, price is determined by the flange size and not by working range.

ROBAR INDUSTRIES LTD.

BC Phone (604) 591-8811 / 1-800-663-6553
 Fax (604) 591-5288
 Email waterworks@robarindustries.com

LES PRODUITS INDUSTRIELS ROBAR INC.

QUEBEC Phone: (450) 441-7525/1-800-315-9525
 Fax: (450) 441-4894
 Web: www.Robarindustries.com



Stainless Steel MJ Tapping Sleeves

6606MJ, 6606MJBB, 6606CSMJ, 6606CSMJBB

Price Information

Nominal Pipe Size	By x	Outlet Size	LIST PRICE				Fitting Length	Number of Bolts	Working Range	
			6606 MJ	6606 CSMJ	6606 MJBB	6606 CSMJBB			LOW	HIGH
16"	x	3	\$2,169.33	\$1,599.69	\$2,594.62	\$1,927.44	12	8	17.20	17.60
		4	\$2,169.33	\$1,599.69	\$2,594.62	\$1,927.44	12	8	17.40	17.80
		6	\$2,809.23	\$2,171.29	\$3,415.93	\$2,659.02	16	10	17.80	18.20
		8	\$3,706.60	\$2,846.27	\$4,248.93	\$3,386.65	20	14	18.40	18.80
		10	\$4,213.81	\$2,971.13	\$4,826.38	\$3,581.74	20	14	18.80	19.20
		12	\$5,790.10	\$3,759.28	\$6,589.94	\$4,442.07	24	16		
18"	x	3	\$2,399.55	\$1,837.70	\$3,074.51	\$2,510.73	12	12	19.30	19.70
		4	\$2,399.55	\$1,837.70	\$3,074.51	\$2,510.73	12	12	19.80	20.20
		6	\$3,072.58	\$2,487.33	\$3,712.44	\$3,273.51	16	15	20.20	20.60
		8	\$4,057.76	\$3,250.11	\$4,522.04	\$4,225.52	20	21		
		10	\$4,535.72	\$3,380.81	\$5,208.73	\$4,352.33	20	21		
		12	\$5,969.56	\$4,260.64	\$6,656.27	\$5,386.27	24	24		
20"	x	3	\$2,467.81	\$2,163.98	\$3,144.75	\$2,561.46	12	12	21.40	21.80
		4	\$2,467.81	\$2,163.98	\$3,144.75	\$2,561.46	12	12	22.00	22.40
		6	\$3,170.11	\$2,936.83	\$3,813.91	\$3,343.75	16	15	22.60	23.00
		8	\$4,194.32	\$3,839.63	\$4,660.56	\$4,315.26	20	21		
		10	\$4,682.01	\$4,036.75	\$5,440.91	\$4,484.99	20	21		
		12	\$6,139.30	\$5,078.43	\$6,859.16	\$5,546.24	24	24		
24"	x	3	\$2,682.41	\$2,034.73	\$3,367.15	\$2,717.51	12	12	23.20	23.60
		4	\$2,682.41	\$2,034.73	\$3,367.15	\$2,717.51	12	12	23.80	24.20
		6	\$3,413.96	\$2,779.96	\$4,291.84	\$3,655.88	16	15	25.60	26.00
		8	\$4,486.93	\$3,616.85	\$5,251.66	\$4,584.47	20	21		
		10	\$4,964.88	\$3,741.72	\$5,522.83	\$4,707.39	20	21		
		12	\$6,478.77	\$4,693.73	\$7,315.66	\$5,813.51	24	24		

All dimensions are in inches

6606MJ - Stainless steel tapping sleeve with a MJ connection. Supplied with lifter bars.

6606MJBB - Stainless steel tapping sleeve with a MJ connection. Supplied with bolt bracket closures.

6606CSMJ - Stainless steel tapping sleeve with a mild steel, epoxy coated MJ connection. Supplied with lifter bars.

6606CSMJBB - Stainless steel tapping sleeve with a MJ connection. Supplied with lifter bars

Note: When ordering a 6606 tapping sleeve, price is determined by the flange size and not by working range.

The working range is only a guideline, other ranges can be fabricated.

ROBAR INDUSTRIES LTD.		LES PRODUITS INDUSTRIELS ROBAR INC.	
BC Phone	(604) 591-8811 / 1-800-663-6553	QUEBEC	Phone: (450) 441-7525/1-800-315-9525
Fax	(604) 591-5288		Fax: (450) 441-4894
Email	waterworks@robarindustries.com		Web: www.Robarindustries.com



6606CSF TAPPING SLEEVES

STAINLESS STEEL BODY WITH MILD STEEL FLANGE
PRICE INFORMATION

Nominal Pipe Size	By x	Outlet Size	Lifter Bar List Price	Bolt Bracket List Price	Fitting Length	Number of Bolts	Working Range	
							LOW	HIGH
6"	x	3	\$ 1,111.07	\$ 1,327.26	12	8	6.40	6.80
		4	\$ 1,111.07	\$ 1,327.26	12	8	6.80	7.20
6"	x	6	\$ 1,473.51	\$ 1,791.52	16	10	7.20	7.60
							6.75	7.00
							6.85	7.10
							7.00	7.25
8"	x	3	\$ 1,144.68	\$ 1,360.81	12	8	7.25	7.50
		4	\$ 1,144.68	\$ 1,360.81	12	8	8.40	8.80
		6	\$ 1,523.29	\$ 1,841.29	16	10	8.80	9.20
8"	x	8	\$ 2,015.21	\$ 2,397.77	20	12	9.20	9.60
							8.95	9.20
10"	x	3	\$ 1,177.40	\$ 1,393.58	12	8	9.25	9.50
		4	\$ 1,177.40	\$ 1,393.58	12	8	10.55	10.95
		6	\$ 1,571.78	\$ 1,889.79	16	10	10.90	11.30
		8	\$ 2,095.56	\$ 2,478.12	20	12	11.30	11.70
		10	\$ 2,203.41	\$ 2,585.97	20	12	11.90	12.30
12"	x	3	\$ 1,221.69	\$ 1,437.85	12	8	12.15	12.55
		4	\$ 1,221.69	\$ 1,437.85	12	8	12.55	12.95
		6	\$ 1,637.44	\$ 1,955.47	16	10	13.00	13.40
		8	\$ 2,143.91	\$ 2,526.47	20	12	13.40	13.80
		10	\$ 2,288.65	\$ 2,671.21	20	12	13.80	14.20
		12	\$ 2,945.15	\$ 3,392.24	24	16		
14"	x	3	\$ 1,333.73	\$ 1,549.90	12	8	15.10	15.50
		4	\$ 1,333.73	\$ 1,549.90	12	8	15.50	15.90
		6	\$ 1,806.22	\$ 2,124.23	16	10	15.80	16.20
		8	\$ 2,363.28	\$ 2,745.85	20	12	16.20	16.60
		10	\$ 2,471.12	\$ 2,853.68	20	12		
		12	\$ 3,164.15	\$ 3,611.24	24	16		

*All dimensions are in inches
Continued...*

Note: Size on size for IPS OD is not available.
When ordering a 6606 tapping sleeve, price is determined by the flange size and not by working range.
The working range is only a guideline, other ranges can be fabricated.

ROBAR INDUSTRIES LTD.
BC Phone (604) 591-8811 / 1-800-663-6553
Fax (604) 591-5288
Email waterworks@robarindustries.com

LES PRODUITS INDUSTRIELS ROBAR INC
QUEBEC Phone (450) 441-7525/1-800-315-9525
Fax (450) 441-4894
Web www.Robarindustries.com



6606CSF TAPPING SLEEVES

STAINLESS STEEL BODY WITH MILD STEEL FLANGE

Price Information

Nominal Pipe Size	By x	Outlet Size	Lifter Bar List Price	Bolt Bracket List Price	Fitting Length	Number of Bolts	Working Range	
							LOW	HIGH
16"	x	3	\$ 1,380.05	\$ 1,596.21	12	8	17.20	17.60
		4	\$ 1,380.05	\$ 1,596.21	12	8	17.40	17.80
		6	\$ 1,872.02	\$ 2,190.02	16	10	17.80	18.20
		8	\$ 2,454.74	\$ 2,837.30	20	12	18.40	18.80
		10	\$ 2,562.58	\$ 2,945.15	20	12	18.80	19.20
		12	\$ 3,243.16	\$ 3,690.24	24	16		
18"	x	3	\$ 1,584.14	\$ 2,086.07	12	12	19.30	19.70
		4	\$ 1,584.14	\$ 2,086.07	12	12	19.80	20.20
		6	\$ 2,145.15	\$ 2,877.45	16	15	20.20	20.60
		8	\$ 2,803.36	\$ 3,713.52	20	21		
		10	\$ 2,915.03	\$ 3,825.20	20	21		
		12	\$ 3,674.28	\$ 4,735.03	24	24		
20"	x	3	\$ 1,625.52	\$ 2,127.42	12	12	21.40	21.80
		4	\$ 1,625.52	\$ 2,127.42	12	12	22.00	22.40
		6	\$ 2,206.40	\$ 2,938.70	16	15	22.60	23.00
		8	\$ 2,883.06	\$ 3,793.22	20	21		
		10	\$ 3,031.64	\$ 3,941.83	20	21		
		12	\$ 3,814.44	\$ 4,875.19	24	24		
24"	x	3	\$ 1,753.81	\$ 2,255.72	12	12	23.20	23.60
		4	\$ 1,753.81	\$ 2,255.72	12	12	23.80	24.20
		6	\$ 2,396.65	\$ 3,128.95	16	15	25.60	26.00
		8	\$ 3,118.90	\$ 4,029.07	20	21		
		10	\$ 3,226.72	\$ 4,136.92	20	21		
		12	\$ 4,048.74	\$ 5,109.48	24	24		

All dimensions are in inches

Note: When ordering a 6606 tapping sleeve, price is determined by the flange size and not by working range.
The working range is only a guideline, other ranges can be fabricated.

ROBAR INDUSTRIES LTD.
BC Phone (604) 591-8811 / 1-800-663-6553
 Fax (604) 591-5288
 Email waterworks@robarindustries.com

LES PRODUITS INDUSTRIELS ROBAR INC.
QUEBEC Phone (450) 441-7525 / 1-800-315-9525
 Fax (450) 441-4894
 Web www.Robarindustries.com



6626 OUTLET SLEEVES

STAINLESS STEEL PRICE INFORMATION

Nominal Pipe Size	By x	Outlet Size	LIST PRICE	Fitting Length	Number of Bolts	Working Range	
						LOW	HIGH
4"	x	3	\$ 1,261.53	12	8	4.70	4.95
		4	\$ 1,261.53	12	8	4.95	5.20
6"	x	3	\$ 1,261.53	12	8	6.40	6.80
		4	\$ 1,261.53	12	8	6.80	7.20
						7.20	7.60
6"	x	6	\$ 1,753.77	16	10	6.75	7.00
						6.85	7.10
						7.00	7.25
						7.25	7.50
8"	x	3	\$ 1,275.05	12	8	8.40	8.80
		4	\$ 1,275.05	12	8	8.80	9.20
		6	\$ 1,682.87	16	10	9.20	9.60
8"	x	8	\$ 2,241.36	20	12	8.95	9.20
						9.25	9.50
10"	x	3	\$ 1,336.41	12	8	10.55	10.95
		4	\$ 1,336.41	12	8	10.90	11.30
		6	\$ 1,764.75	16	10	11.30	11.70
		8	\$ 2,169.59	20	12	11.90	12.30
		10	\$ 2,850.32	20	12		
12"	x	3	\$ 1,451.97	12	8	12.15	12.55
		4	\$ 1,451.97	12	8	12.55	12.95
		6	\$ 1,918.84	16	10	13.00	13.40
		8	\$ 2,362.11	20	12	13.40	13.80
		10	\$ 2,778.86	20	12	13.80	14.20
		12	\$ 3,786.10	24	16		
14"	x	3	\$ 1,588.12	12	8	15.10	15.50
		4	\$ 1,588.12	12	8	15.50	15.90
		6	\$ 2,100.39	16	10	15.80	16.20
		8	\$ 2,589.06	20	12	16.20	16.60
		10	\$ 3,005.80	20	12		
		12	\$ 3,716.15	24	16		

All dimensions are in inches

Continued...

Note: Size on size for IPS OD is not available.

When ordering a 6606 tapping sleeve, price is determined by the flange size and not by working range.

The working range is only a guideline, other ranges can be fabricated.

ROBAR INDUSTRIES LTD.

BC Phone (604) 591-8811 / 1-800-663-6553
 Fax (604) 591-5288
 Email waterworks@robarindustries.com

LES PRODUITS INDUSTRIELS ROBAR INC.

QUEBEC Phone (450) 441-7525 / 1-800-315-9525
 Fax (450) 441-4894
 Web www.Robarindustries.com



6626 OUTLET SLEEVES

STAINLESS STEEL PRICE INFORMATION

Nominal Pipe Size	By x	Outlet Size	LIST PRICE	Fitting Length	Number of Bolts	Working Range	
						LOW	HIGH
16"	x	3	\$ 1,705.25	12	8	17.20	17.60
		4	\$ 1,705.25	12	8	17.40	17.80
		6	\$ 2,256.33	16	10	17.80	18.20
		8	\$ 2,783.33	20	12	18.40	18.80
		10	\$ 3,208.25	20	12	18.80	19.20
		12	\$ 3,960.32	24	16		
18"	x	3	\$ 1,838.24	12	12	19.30	19.70
		4	\$ 1,838.24	12	12	19.80	20.20
		6	\$ 2,433.61	16	15	20.20	20.60
		8	\$ 3,004.94	20	18		
		10	\$ 3,429.26	20	18		
		12	\$ 4,226.23	24	24		
20"	x	3	\$ 1,881.94	12	12	21.40	21.80
		4	\$ 1,881.94	12	12	22.00	22.40
		6	\$ 2,491.80	16	15	22.60	23.00
		8	\$ 3,077.67	20	18		
		10	\$ 3,501.98	20	18		
		12	\$ 4,313.57	24	24		
24"	x	3	\$ 2,103.18	12	12	23.20	23.60
		4	\$ 2,103.18	12	12	23.80	24.20
		6	\$ 2,786.87	16	16	25.60	26.00
		8	\$ 3,446.50	20	18		
		10	\$ 3,870.85	20	18		
		12	\$ 4,756.12	24	24		

All dimensions are in inches

Note: When ordering a 6606 tapping sleeve, price is determined by the flange size and not by working range.

The working range is only a guideline, other ranges can be fabricated.

ROBAR INDUSTRIES LTD.

BC Phone (604) 591-8811 / 1-800-663-6553
 Fax (604) 591-5288
 Email waterworks@robarindustries.com

LES PRODUITS INDUSTRIELS ROBAR INC.

QUEBEC Phone (450) 441-7525 / 1-800-315-9525
 Fax (450) 441-4894
 Web www.Robarindustries.com



6636 ABANDON SERVICE SLEEVE

STAINLESS STEEL PRICE INFORMATION

ABANDON SLEEVE with 3" End Cap - 12" wide

LIST PRICE

Nominal Size	By X	Outlet Size	Bolt Bracket	Finger Closure
4"	x	3"	\$ 1,177.73	\$ 963.44
6"			\$ 1,221.78	\$ 993.80
8"			\$ 1,267.80	\$ 1,026.31
10"			\$ 1,307.23	\$ 1,057.61
12"			\$ 1,373.40	\$ 1,193.16
14"			\$ 1,517.66	\$ 1,311.87
16"			\$ 1,570.55	\$ 1,359.84
18"			\$ 2,034.68	\$ 1,598.03
20"			\$ 2,075.17	\$ 1,643.03
22"			\$ 2,161.96	\$ 1,697.23
24"			\$ 2,275.65	\$ 1,781.42

Notes:

3" end cap used to seal off a 3/4" or 1" main stop

4" end cap used to seal off a 1-1/2" or 2" main stop

ABANDON SLEEVE with 3" End Cap - 8" wide

LIST PRICE

Nominal Size	By X	Outlet Size	Bolt Bracket	Finger Closure
4"	x	3"	\$ 1,091.77	\$ 893.11
6"			\$ 1,132.59	\$ 921.25
8"			\$ 1,175.27	\$ 951.42
10"			\$ 1,211.77	\$ 980.40
12"			\$ 1,273.16	\$ 1,106.08
14"			\$ 1,406.88	\$ 1,216.12
16"			\$ 1,455.90	\$ 1,260.56
18"			\$ 1,886.13	\$ 1,481.36
20"			\$ 1,923.67	\$ 1,523.10
22"			\$ 2,004.13	\$ 1,573.36
24"			\$ 2,109.52	\$ 1,651.37

ABANDON SLEEVE with 4" End Cap - 12" wide

LIST PRICE

Nominal Size	Outlet Size	Bolt Bracket	Finger Closure
6"	4"	\$ 1,384.28	\$ 1,113.38
8"		\$ 1,410.31	\$ 1,141.69
10"		\$ 1,440.67	\$ 1,176.50
12"		\$ 1,513.63	\$ 1,327.26
14"		\$ 1,672.61	\$ 1,445.80
16"		\$ 1,714.72	\$ 1,498.70
18"		\$ 2,163.38	\$ 1,761.15
20"		\$ 2,244.29	\$ 1,810.80
22"		\$ 2,338.15	\$ 1,853.02
24"		\$ 2,461.13	\$ 1,944.96

ROBAR INDUSTRIES LTD.

BC Phone (604) 591-8811 / 1-800-663-6553
 Fax (604) 591-5288
 Email waterworks@robarindustries.com

LES PRODUITS INDUSTRIELS ROBAR INC.

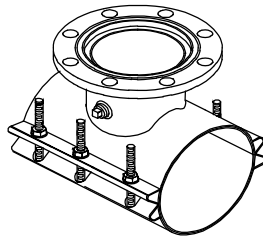
QUEBEC Phone (450) 441-7525 / 1-800-315-9525
 Fax (450) 441-4894
 Web www.Robarindustries.com



MILD STEEL TAPPING SLEEVES

6908 & 6906

PRICE INFORMATION



Nominal Pipe Size	By x	Outlet Size	LIST PRICE		Working Range	
			PRICE 6908	PRICE 6906	LOW	HIGH
6"	x	3	\$1,208.94	\$1,380.62	6.90	7.20
		4	\$1,208.72	\$1,380.62		
		6	\$1,305.53	\$1,450.11		
8"	x	3	\$1,260.66	\$1,389.41	8.50	8.90
		4	\$1,260.66	\$1,389.41	8.90	9.30
		6	\$1,380.28	\$1,491.11	9.30	9.70
		8	\$1,901.67	\$2,089.54		
10"	x	3	\$1,314.06	\$1,475.43	9.70	10.10
		4	\$1,314.06	\$1,475.43	10.10	10.50
		6	\$1,435.85	\$1,600.98	10.50	10.90
		8	\$1,976.44	\$2,214.28	10.90	11.30
		10	\$2,461.49	\$2,782.66	11.30	11.70
						11.70
12"	x	3	\$1,463.63	\$1,606.44	12.10	12.50
		4	\$1,463.63	\$1,606.44	12.50	12.90
		6	\$1,585.43	\$1,727.84	12.90	13.30
		8	\$2,145.25	\$2,362.63	13.30	13.60
		10	\$2,647.38	\$2,970.01		
		12	\$3,168.73	\$3,462.75		
14"	x	3	\$1,538.42	\$1,739.70	13.60	14.05
		4	\$1,538.42	\$1,739.70	14.05	14.50
		6	\$1,696.53	\$1,918.57	14.50	14.95
		8	\$2,322.61	\$2,582.64	14.95	15.40
		10	\$2,833.28	\$3,178.12	15.30	15.75
		12	\$3,356.77	\$3,695.16		

All dimensions are in inches

Note: Size on size for IPS OD is not available.

Continued...

When ordering a Mild Steel tapping sleeves, price is determined by the flange size and not by working range.

The working range is only a guideline, other ranges can be fabricated.

ROBAR INDUSTRIES LTD.

BC Phone (604) 591-8811 / 1-800-663-6553
 Fax (604) 591-5288
 Email waterworks@robarindustries.com

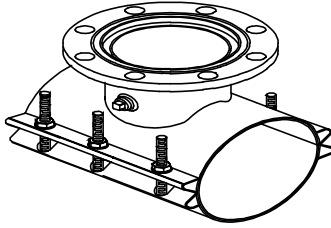
LES PRODUITS INDUSTRIELS ROBAR INC.

QUEBEC Phone (450) 441-7525 / 1-800-315-9525
 Fax (450) 441-4894
 Web www.Robarindustries.com



MILD STEEL TAPPING SLEEVES

6908 & 6906
PRICE INFORMATION



Nominal Pipe Size	By x	Outlet Size	LIST PRICE		Working Range	
			Price 6908	PRICE 6906	LOW	HIGH
16"	x	3	\$ 1,621.76	\$ 1,848.92	15.75	16.15
		4	\$ 1,621.76	\$ 1,848.92	16.15	16.60
		6	\$ 1,790.57	\$ 2,045.62	16.60	17.05
		8	\$ 2,423.04	\$ 2,731.15	17.05	17.50
		10	\$ 2,982.85	\$ 3,334.72	17.40	17.85
		12	\$ 3,495.66	\$ 3,854.87		
18"	x	3	\$ 1,690.13	\$ 1,920.42	17.85	18.30
		4	\$ 1,690.13	\$ 1,920.42	18.30	18.75
		6	\$ 1,884.59	\$ 2,134.79	18.75	19.20
		8	\$ 2,536.28	\$ 2,842.48	19.20	19.65
		10	\$ 3,096.09	\$ 3,460.73	19.50	19.95
		12	\$ 3,673.02	\$ 3,977.71		
20"	x	3	\$ 1,767.06	\$ 2,051.56	19.90	20.40
		4	\$ 1,767.06	\$ 2,051.56	20.40	20.90
		6	\$ 1,976.44	\$ 2,292.77	20.90	21.40
		8	\$ 2,647.38	\$ 3,034.55	21.40	21.90
		10	\$ 3,318.31	\$ 3,648.36	21.90	22.15
		12	\$ 3,839.67	\$ 4,165.54	22.15	22.70
					22.70	23.25
24"	x	3	\$ 1,912.33	\$ 2,241.84	23.60	24.15
		4	\$ 1,912.33	\$ 2,241.84	24.15	24.70
		6	\$ 2,126.02	\$ 2,547.62	24.70	25.25
		8	\$ 2,811.90	\$ 3,240.55	25.25	25.80
		10	\$ 3,523.45	\$ 3,914.51	25.60	26.00
		12	\$ 4,083.25	\$ 4,431.52		

All Dimensions are in inches

Note: When ordering a Mild Steel tapping sleeve, price is determined by the flange size and not by working range.

The working range is only a guideline, other ranges can be fabricated.

ROBAR INDUSTRIES LTD.

BC Phone (604) 591-8811 / 1-800-663-6553
 Fax (604) 591-5288
 Email waterworks@robarindustries.com

LES PRODUITS INDUSTRIELS ROBAR INC.

QUEBEC Phone (450) 441-7525 / 1-800-315-9525
 Fax (450) 441-4894
 Web www.Robarindustries.com



Mild Steel MJ Tapping Sleeve

**6908MJ & 6906MJ
PRICE INFORMATION**

Nominal Pipe Size	By x	Outlet Size	LIST PRICE		Working Range	
			PRICE 6908MJ	PRICE 6906MJ	LOW	HIGH
			6"	x	4	\$ 1,478.34
		6	\$ 1,711.20	\$ 1,823.38		
8"	x	4	\$ 1,497.34	\$ 1,636.80	8.50	8.90
		6	\$ 1,749.51	\$ 1,869.56	8.90	9.30
		8	\$ 2,153.51	\$ 2,357.02	9.30	9.70
10"	x	4	\$ 1,572.02	\$ 1,814.12	9.70	10.10
		6	\$ 1,804.26	\$ 1,908.33	10.10	10.50
		8	\$ 2,210.64	\$ 2,468.27	10.50	10.90
		10	\$ 2,728.43	\$ 3,076.35	10.90	11.30
						11.30
					11.70	12.10
12"	x	4	\$ 1,656.29	\$ 1,926.88	12.10	12.50
		6	\$ 1,883.24	\$ 2,038.75	12.50	12.90
		8	\$ 2,364.59	\$ 2,600.08	12.90	13.30
		10	\$ 2,904.46	\$ 3,253.97	13.30	13.60
		12	\$ 3,450.34	\$ 3,768.85		
14"	x	4	\$ 1,748.25	\$ 1,955.08	13.60	14.05
		6	\$ 1,974.44	\$ 2,214.97	14.05	14.50
		8	\$ 2,542.56	\$ 2,824.24	14.50	14.95
		10	\$ 3,086.56	\$ 3,460.12	14.95	15.40
		12	\$ 3,639.48	\$ 4,006.08	15.30	15.75

All dimensions are in inches

Continued...

6908MJ - Mild Steel tapping sleeve with MJ connection. Epoxy coated with Mild Steel fasteners

6906MJ - Mild Steel tapping sleeve with MJ connection. Epoxy coated with Stainless Steel fasteners

Note: Size on size for IPS OD is not available.

When ordering a Mild Steel tapping sleeves, price is determined by the flange size and not by working range.

The working range is only a guideline, other ranges can be fabricated.

ROBAR INDUSTRIES LTD.

BC Phone (604) 591-8811 / 1-800-663-6553
 Fax (604) 591-5288
 Email waterworks@robarindustries.com

LES PRODUITS INDUSTRIELS ROBAR INC.

QUEBEC Phone (450) 441-7525 / 1-800-315-9525
 Fax (450) 441-4894
 Web www.Robarindustries.com



Mild Steel MJ Tapping Sleeve

6908MJ & 6906MJ
PRICE INFORMATION

Nominal Pipe Size	By x	Outlet Size	LIST PRICE		Working Range	
			PRICE 6908MJ	PRICE 6906MJ	LOW	HIGH
16"	x	4	\$ 1,851.07	\$2,020.07	15.75	16.15
		6	\$ 2,055.74	\$2,275.96	16.15	16.60
		8	\$ 2,643.84	\$2,977.64	16.60	17.05
		10	\$ 3,245.74	\$3,626.94	17.05	17.50
		12	\$ 3,784.63	\$4,173.79	17.40	17.85
18"	x	4	\$ 1,963.14	\$2,094.84	17.85	18.30
		6	\$ 2,169.64	\$2,365.93	18.30	18.75
		8	\$ 2,754.54	\$3,086.25	18.75	19.20
		10	\$ 3,354.82	\$3,749.86	19.20	19.65
		12	\$ 3,967.12	\$4,297.23	19.50	19.95
20"	x	4	\$ 2,076.69	\$2,231.78	19.90	20.40
		6	\$ 2,262.58	\$2,468.75	20.40	20.90
		8	\$ 2,866.78	\$3,286.22	20.90	21.40
		10	\$ 3,584.11	\$3,941.66	21.40	21.90
		12	\$ 4,138.77	\$4,491.82	21.90	22.15
					22.15	22.70
					22.70	23.25
24"	x	4	\$ 2,188.92	\$2,429.94	23.60	24.15
		6	\$ 2,412.12	\$2,739.84	24.15	24.70
		8	\$ 3,034.33	\$3,498.69	24.70	25.25
		10	\$ 3,799.19	\$4,222.85	25.25	25.80
		12	\$ 4,398.08	\$4,775.41	25.60	26.00

All Dimensions are in inches

6908MJ - Mild Steel tapping sleeve with MJ connection. Epoxy coated with Mild Steel fasteners
6906MJ - Mild Steel tapping sleeve with MJ connection. Epoxy coated with Stainless Steel fasteners

Note: When ordering a Mild Steel tapping sleeve, price is determined by the flange size and not by working range.
The working range is only a guideline, other ranges can be fabricated.

ROBAR INDUSTRIES LTD.

BC Phone (604) 591-8811 / 1-800-663-6553
Fax (604) 591-5288
Email waterworks@robarindustries.com

LES PRODUITS INDUSTRIELS ROBAR INC.

QUEBEC Phone (450) 441-7525 / 1-800-315-9525
Fax (450) 441-4894
Web www.Robarindustries.com