

TABLE OF CONTENTS**PRICE INFORMATION****SECTION 1 - ROBAR COUPLINGS**

CODE	DESCRIPTION	PAGE
1506	Couplings	1-1, 1-2
1507	Couplings	1-3, 1-4
1508	Couplings	1-5, 1-6
1519	Couplings	1-7, 1-8
1506R	Reducing Couplings	1-9, 1-10
1507R	Reducing Couplings	1-11, 1-12
1508R	Reducing Couplings	1-13, 1-14
1519R	Reducing Couplings	1-15, 1-16
1506, 1508	Coupling Components	1-217
1507, 1519	Coupling Components	1-18
1506R, 1508R	Reducing Coupling Components	1-19
1507R, 1519R	Reducing Coupling Components	1-20
1506, 1507, 1508, 1519	Fasteners	1-20
1696-2B	Two Bolt Coupling	1-22
1598, 1596	The Vantage Coupling	1-23
1500 Series	Stab Fit Couplings	1-24
EBAA 3800	Restraint Couplings	1-25
1180	Isolating Boot	1-26
1510	Coupling End Caps	1-27
1606	Stainless Steel Couplings	1-28
1200	Galvanized Compression Coupling	1-29

SECTION 2 - ROBAR SERVICE SADDLES

CODE	DESCRIPTION	PAGE
2506/2508	Cast Service Saddles	2-1
2616	Stainless Steel Service Saddles	2-2
2626	Stainless Steel Service Saddles	2-3, 2-4
2636	Stainless Steel Service Saddles	2-5
2706	Brass Service Saddles	2-6
2786	Isolating Service Saddles	2-7

SECTION 3 - ROBAR SEWER SADDLES

CODE	DESCRIPTION	PAGE
3506	Sewer Saddle	3-1

ROBAR INDUSTRIES LTD.

BC Phone (604) 591-8811 / 1-800-663-6553
 Fax (604) 591-5288
 Email: waterworks@robarindustries.com

LES PRODUITS INDUSTRIELS ROBAR INC.

QUEBEC Phone (450) 441-7525 / 1-800-315-9525
 Fax (450) 441-4894
 Web: www.Robarindustries.com



TABLE OF CONTENTS

PRICE INFORMATION

SECTION 4 - ROBAR RESTRAINT LUGS

CODE	DESCRIPTION	PAGE
4499	Restraint Lugs	4-1

SECTION 5 - ROBAR REPAIR CLAMPS

CODE	DESCRIPTION	PAGE
5616	Repair Clamps (Style 1)	5-1
5626	Repair Clamps (Style 2)	5-2
5636	Repair Clamps (Style 3)	5-3
5606 & 5696	Repair Clamps	5-4
5696SC	SS Snap Clamps	5-5
5508	Bell Joint Leak Clamps	5-6

SECTION 6 - ROBAR TAPPING AND OUTLET SLEEVES

CODE	DESCRIPTION	PAGE
6506	Cast Tapping Sleeves	6-1
6606	Tapping Sleeves	6-2, 6-3
6606BB	Bolt Bracket Tapping Sleeve	6-4, 6-5
6606 MJ	SS MJ Tapping Sleeve	6-6, 6-7
CSF6606/CSF6606BB	Tapping Sleeve with MS Flange	6-8, 6-9
6626	Outlet Sleeves	6-10, 6-11
6636	Abandon Service Sleeve	6-12
6908, 6906	Carbon Steel Tapping Sleeve	6-13, 6-14
6908MJ, 6906MJ	MJ Carbon Steel Tapping Sleeve	6-15, 6-16

SECTION 7 - ROBAR FLANGE COUPLING ADAPTERS

CODE	DESCRIPTION	PAGE
7508/7506	Flanged Coupling Adapters	7-1
7508DJ/7506DJ	Dismantling Joint	7-2

SECTION 9 - ROBAR MISCELLANEOUS ITEMS

CODE	DESCRIPTION	PAGE
9440	Meter Flanges	9-1
9500	FRP Back-up Flanges	9-2
9626	Stainless Steel Inserts	9-3
PSC & PSF	Pipe Support Stand	9-4
SLIKSTYX	Spray on Lubricant	9-5
MISC	Torque Wrench, OD Tapes	9-5
Horseshoes	Horseshoes	9-6

ROBAR INDUSTRIES LTD.

BC Phone (604) 591-8811 / 1-800-663-6553
Fax (604) 591-5288
Email: waterworks@robarindustries.com

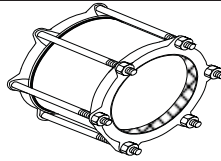
LES PRODUITS INDUSTRIELS ROBAR INC.

QUEBEC Phone (450) 441-7525 / 1-800-315-9525
Fax (450) 441-4894
Web: www.Robarindustries.com

1506 CAST DUCTILE IRON COUPLINGS

STRAIGHT & TRANSITION

PRICE INFORMATION



Nom Pipe Size	First End				By X	Second End				MAX. Press. (LBS/IN)	Fasteners No. Dia x Length	Sleeve Length (IN.)	List Price
	Range			End Code		Range			End Code				
	Low	Pipe OD Actual	High*			Low	Pipe OD Actual	High*					
2	2.35	2.38	2.5	D3	x	2.35	2.38	2.5	D3	300	2 5/8 x 8	5	\$151.22
2.5	2.69	2.88	2.90	D3	x	2.69	2.88	2.90	D3	300	2 5/8 x 8	5	\$161.88
4	3.45	3.50	3.60	4T	x	3.45	3.50	3.60	4T	300	4 5/8 x 8	5	\$289.78
	3.75		4.05	F3A		3.75		4.05	F3A				
	4.05		4.35	F3B		4.05		4.35	F3B		4 5/8 x 11	7	\$342.72
	4.40	4.50	4.60	D3		4.40	4.50	4.60	D3				
	4.74	4.80	5.10	A1		4.74	4.80	5.10	A1				
5.10		5.30	E5	5.10		5.30	E5	4 5/8 x 14	10	\$393.98			
6	5.65		5.95	6T	x	5.65		5.95	6T	300	5 5/8 x 8	5	\$411.14
	5.85		6.15	F3A		5.85		6.15	F3A				
	6.15		6.45	F3B		6.15		6.45	F3B		5 5/8 x 11	7	\$472.58
	6.50	6.63	6.70	D3		6.50	6.63	6.70	D3				
	6.86	6.90	7.10	A1		6.86	6.90	7.10	A1				
	7.15		7.35	E5		7.15		7.35	E5				
8	7.90		8.25	F3A	x	7.90		8.25	F3A	300	6 5/8 x 8	5	\$515.94
	8.25		8.55	F3B		8.25		8.55	F3B				
	8.55	8.63	8.75	D3		8.55	8.63	8.75	D3		6 5/8 x 11	7	\$595.65
	8.99	9.05	9.30	A1		8.99	9.05	9.30	A1				
	9.30		9.50	E5		9.30		9.50	E5				
10**	9.85		10.20	F4A	x	9.85		10.20	F4A	300	7 5/8 x 11	7	\$834.13
	10.20		10.50	F4B		10.20		10.50	F4B				
	10.60	10.75	10.90	D4		10.60	10.75	10.90	D4				
	11.10	11.10	11.40	B2		11.10	11.10	11.40	B2				
	11.55		11.75	A1		11.55		11.75	A1				
	11.90		12.10	E5		11.90		12.10	E5				
Series 2 (STANDARD STEEL AND DUCTILE SIZES ONLY)													
10	10.60	10.75	10.90	S9	x	10.60	10.75	10.90	S9	300	6 5/8 x 10	6	\$728.99
	11.10	11.10	11.40	G8		11.10	11.10	11.40	G8				

All dimensions are in inches

Continued....

Note: * The high limit of the range is used in the ordering code.
 ** Some transitions may required a stepped center sleeve.
 *** Only available with end codes B2, A1 & E5

ROBAR INDUSTRIES LTD.

BC Phone (604) 591-8811 / 1-800-663-6553
 Fax (604) 591-5288
 Email: waterworks@robarindustries.com

LES PRODUITS INDUSTRIELS ROBAR INC.

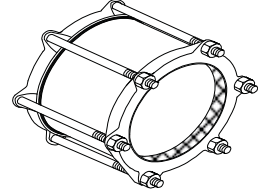
QUEBEC Phone (450) 441-7525 / 1-800-315-9525
 Fax (450) 441-4894
 Web www.Robarindustries.com



1506 CAST DUCTILE IRON COUPLINGS

STRAIGHT & TRANSITION

PRICE INFORMATION



Nom Pipe Size	First End				By X	Second End				MAX. Press. (LBS/IN)	Fasteners No. Dia x Length	Sleeve Length (IN.)	List Price
	Range					Range							
	Low	Pipe OD Actual	High*	End Code		Low	Pipe OD Actual	High*	End Code				
12**	12.00		12.30	F4A	x	12.00		12.30	F4A	300	8 5/8 x 11	7	\$ 942.44
	12.30		12.60	F4B		12.30		12.60	F4B				
	12.60	12.75	12.90	D4		12.60	12.75	12.90	D4				
	13.20	13.20	13.60	B2		13.20	13.20	13.60	B2				
	13.80	14.00	14.10	A1		13.80	14.00	14.10	A1				
	14.10		14.35	E5		14.10		14.35	E5				
12**					x					300	8 5/8 x 14	10***	\$ 1,092.61

Series 2 (STANDARD STEEL AND DUCTILE SIZES ONLY)

12	12.60	12.75	12.90	S9	x	12.60	12.75	12.90	S9	300	7 5/8 x 10	6	\$ 862.59
	13.20	13.20	13.50	G8		13.20	13.20	13.50	G8				
14	14.60		14.90	F2	x	14.60		14.90	F2	150	9 5/8 x 11	7	\$1,649.73
	15.30	15.30	15.70	B2		15.30	15.30	15.70	B2				
	15.80	16.00	16.25	A1		15.80	16.00	16.25	A1				
	16.40		16.80	E5		16.40		16.80	E5				
16	17.40	17.40	17.80	B2	x	17.40	17.40	17.80	B2	150	10 5/8 x 11	7	\$1,825.12
	17.80	18.00	18.20	A1		17.80	18.00	18.20	A1				
	18.40		18.80	E5		18.40		18.80	E5				
18	18.80		19.20	B1	x	18.80		19.20	B1	150	12 5/8 x 11	7	\$2,209.02
	19.10	19.50	19.70	A2		19.10	19.50	19.70	A2				
	19.70	20.00	20.25	E5		19.70	20.00	20.25	E5				
20	20.80		21.35	B1	x	20.80		21.35	B1	150	12 5/8 x 11	7	\$2,528.86
	21.35	21.60	21.75	A2		21.35	21.60	21.75	A2				
	21.75	22.00	22.25	E5		21.75	22.00	22.25	E5				
22	22.95		23.35	B1	x	22.95		23.35	B1	150	13 5/8 x 11	7	\$2,798.82
	23.45		23.85	A2		23.45		23.85	A2				
	23.75	24.00	24.25	E5		23.75	24.00	24.25	E5				
24	25.70	25.80	26.00	A2	x	25.70	25.80	26.00	A2	150	14 5/8 x 15	10	\$3,517.77
	26.10		26.32	E5		26.10		26.32	E5				

All dimensions are in inches

Note: * The high limit of the range is used in the ordering code.
 ** Some transitions may require a stepped center sleeve.
 *** Only available with end codes B2, A1 & E5

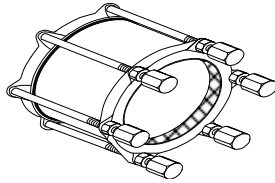
ROBAR INDUSTRIES LTD.
BC Phone (604) 591-8811 / 1-800-663-6553
 Fax (604) 591-5288
 Email waterworks@robarindustries.com

LES PRODUITS INDUSTRIELS ROBAR INC.
QUEBEC Phone (450) 441-7525 / 1-800-315-9525
 Fax (450) 441-4894
 Web www.Robarindustries.com



1507 CAST DUCTILE IRON COUPLINGS

STRAIGHT & TRANSITION
PRICE INFORMATION



Nom Pipe Size	First End				By X	Second End				MAX. Press. (LBS/IN)	Fasteners No. Dia x Length	Sleeve Length (IN.)	List Price
	Range			End Code		Range			End Code				
	Low	Pipe OD Actual	High*			Low	Pipe OD Actual	High*					
2	2.35	2.38	2.5	D3	x	2.35	2.38	2.5	D3	300	2 5/8 x 8	5	\$173.58
2.5	2.69	2.88	2.90	D3	x	2.69	2.88	2.90	D3	300	2 5/8 x 8	5	\$208.95
4	3.45	3.50	3.60	4T	x	3.45	3.50	3.60	4T	300	4 5/8 x 8	5	\$328.87
	3.75		4.05	F3A		3.75		4.05	F3A				
	4.05		4.35	F3B		4.05		4.35	F3B				
	4.40	4.50	4.60	D3		4.40	4.50	4.60	D3				
	4.74	4.80	5.10	A1		4.74	4.80	5.10	A1				
	5.10		5.30	E5		5.10		5.30	E5				
6	5.85		6.15	F3A	x	5.85		6.15	F3A	300	5 5/8 x 8	5	\$459.98
	6.15		6.45	F3B		6.15		6.45	F3B				
	6.50	6.63	6.70	D3		6.50	6.63	6.70	D3				
	6.86	6.90	7.10	A1		6.86	6.90	7.10	A1				
	7.15		7.35	E5		7.15		7.35	E5				
8	7.90		8.25	F3A	x	7.90		8.25	F3A	300	6 5/8 x 8	5	\$574.55
	8.25		8.55	F3B		8.25		8.55	F3B				
	8.55	8.63	8.75	D3		8.55	8.63	8.75	D3				
	8.99	9.05	9.30	A1		8.99	9.05	9.30	A1				
	9.30		9.50	E5		9.30		9.50	E5				
10**	9.85		10.20	F4A	x	9.85		10.20	F4A	300	7 5/8 x 11	7	\$898.16
	10.20		10.50	F4B		10.20		10.50	F4B				
	10.60	10.75	10.90	D4		10.60	10.75	10.90	D4				
	11.10	11.10	11.40	B2		11.10	11.10	11.40	B2				
	11.55		11.75	A1		11.55		11.75	A1				
	11.90		12.10	E5		11.90		12.10	E5				
Series 2 (STANDARD STEEL AND DUCTILE SIZES ONLY)													
10	10.60	10.75	10.90	S9	x	10.60	10.75	10.90	S9	300	6 5/8 x 10	6	\$793.03
	11.10	11.10	11.40	G8		11.10	11.10	11.40	G8				

All dimensions are in inches
Continued....

Note: * The high limit of the range is used in the ordering code.
** Some transitions may required a stepped center sleeve.

ROBAR INDUSTRIES LTD.

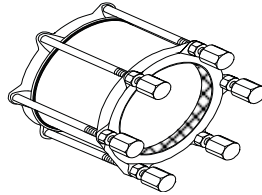
BC Phone (604) 591-8811 / 1-800-663-6553
Fax (604) 591-5288
Email: waterworks@robarindustries.com

LES PRODUITS INDUSTRIELS ROBAR INC.

QUEBEC Phone (450) 441-7525 / 1-800-315-9525
Fax (450) 441-4894
Web www.Robarindustries.com

1507 CAST DUCTILE IRON COUPLINGS

STRAIGHT & TRANSITION
PRICE INFORMATION



Nom Pipe Size	First End				By X	Second End				MAX. Press. (LBS/IN)	Fasteners No. Dia x Length	Sleeve Length (IN.)	List Price
	Range					Range							
	Low	Pipe OD Actual	High*	End Code		Low	Pipe OD Actual	High*	End Code				
12**	12.00		12.30	F4A	x	12.00		12.30	F4A	300	8 5/8 x 11	7	\$1,015.70
	12.30		12.60	F4B		12.30		12.60	F4B				
	12.60	12.75	12.90	D4		12.60	12.75	12.90	D4				
	13.20	13.20	13.60	B2		13.20	13.20	13.60	B2				
	13.80	14.00	14.10	A1		13.80	14.00	14.10	A1				
	14.10		14.35	E5		14.10		14.35	E5				
Series 2 (STANDARD STEEL AND DUCTILE SIZES ONLY)													
12	12.60	12.75	12.90	S9	x	12.60	12.75	12.90	S9	300	7 5/8 x 10	6	\$ 940.70
	13.20	13.20	13.50	G8		13.20	13.20	13.50	G8				
14	14.60		14.90	F2	x	14.60		14.90	F2	150	9 5/8 x 11	7	\$1,738.43
	15.30	15.30	15.70	B2		15.30	15.30	15.70	B2				
	15.80	16.00	16.25	A1		15.80	16.00	16.25	A1				
	16.40		16.80	E5		16.40		16.80	E5				
16	17.40	17.40	17.80	B2	x	17.40	17.40	17.80	B2	150	10 5/8 x 11	7	\$1,924.67
	17.80	18.00	18.20	A1		17.80	18.00	18.20	A1				
	18.40		18.80	E5		18.40		18.80	E5				
18	18.80		19.20	B1	x	18.80		19.20	B1	150	12 5/8 x 11	7	\$2,328.36
	19.10	19.50	19.70	A2		19.10	19.50	19.70	A2				
	19.70	20.00	20.25	E5		19.70	20.00	20.25	E5				
20	20.80		21.35	B1	x	20.80		21.35	B1	150	12 5/8 x 11	7	\$2,648.24
	21.35	21.60	21.75	A2		21.35	21.60	21.75	A2				
	21.75	22.00	22.25	E5		21.75	22.00	22.25	E5				
22	22.95		23.35	B1	x	22.95		23.35	B1	150	13 5/8 x 11	7	\$2,928.11
	23.45		23.85	A2		23.45		23.85	A2				
	23.75	24.00	24.25	E5		23.75	24.00	24.25	E5				
24	25.70	25.80	26.00	A2	x	25.70	25.80	26.00	A2	150	14 5/8 x 15	10	\$3,256.48
	26.10		26.32	E5		26.10		26.32	E5				

All dimensions are in inches

Note: * The high limit of the range is used in the ordering code.
 ** Some transitions may required a stepped center sleeve.

ROBAR INDUSTRIES LTD.

BC Phone (604) 591-8811 / 1-800-663-6553
 Fax (604) 591-5288
 Email: waterworks@robarindustries.com

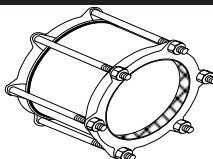
LES PRODUITS INDUSTRIELS ROBAR INC.

QUEBEC Phone (450) 441-7525 / 1-800-315-9525
 Fax (450) 441-4894
 Web www.Robarindustries.com



1508 CAST DUCTILE IRON COUPLINGS

STRAIGHT & TRANSITION
PRICE INFORMATION



Nom Pipe Size	First End				By X	Second End				MAX. Press. (LBS/IN)	Fasteners No. Dia x Length	Sleeve Length (IN.)	List Price
	Range			End Code		Range			End Code				
	Low	Pipe OD Actual	High*			Low	Pipe OD Actual	High*					
2	2.35	2.38	2.5	D3	x	2.35	2.38	2.5	D3	300	2 5/8 x 8	5	\$132.87
2.5	2.69	2.88	2.90	D3	x	2.69	2.88	2.90	D3	300	2 5/8 x 8	5	\$143.77
4	3.45	3.50	3.60	4T	x	3.45	3.50	3.60	4T	300	4 5/8 x 8	5	\$220.09
	3.75		4.05	F3A		3.75		4.05	F3A				
	4.05		4.35	F3B		4.05		4.35	F3B				
	4.40	4.50	4.60	D3		4.40	4.50	4.60	D3				
	4.74	4.80	5.10	A1		4.74	4.80	5.10	A1				
	5.10		E5		5.10		E5			4 5/8 x 14	10	\$319.47	
6	5.85		6.15	F3A	x	5.85		6.15	F3A	300	5 5/8 x 8	5	\$306.58
	6.15		6.45	F3B		6.15		6.45	F3B				
	6.50	6.63	6.70	D3		6.50	6.63	6.70	D3				
	6.86	6.90	7.10	A1		6.86	6.90	7.10	A1				
	7.15		7.35	E5		7.15		7.35	E5				
										5 - 5/8 x 14	10	\$407.75	
8	7.90		8.25	F3A	x	7.90		8.25	F3A	300	6 5/8 x 8	5	\$387.15
	8.25		8.55	F3B		8.25		8.55	F3B				
	8.55	8.63	8.75	D3		8.55	8.63	8.75	D3				
	8.99	9.05	9.30	A1		8.99	9.05	9.30	A1				
	9.30		9.50	E5		9.30		9.50	E5				
										6 - 5/8 x 14	10	\$536.73	
10**	9.85		10.20	F4A	x	9.85		10.20	F4A	300	7 5/8 x 11	7	\$644.61
	10.20		10.50	F4B		10.20		10.50	F4B				
	10.60	10.75	10.90	D4		10.60	10.75	10.90	D4				
	11.10	11.10	11.40	B2		11.10	11.10	11.40	B2				
	11.55		11.75	A1		11.55		11.75	A1				
	11.90		12.10	E5		11.90		12.10	E5				
										7 5/8 x 14	10***	\$766.68	
Series 2 (STANDARD STEEL AND DUCTILE SIZES ONLY)													
10	10.60	10.75	10.90	S9	x	10.60	10.75	10.90	S9	300	6 5/8 x 10	6	\$564.05
	11.10	11.10	11.40	G8		11.10	11.10	11.40	G8				

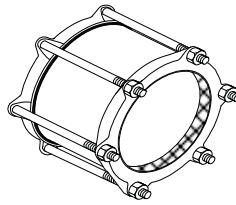
All dimensions are in inches
Continued....

Note: * The high limit of the range is used in the ordering code.
 ** Some transitions may required a stepped center sleeve.
 *** Only available with end codes B2, A1 & E5

ROBAR INDUSTRIES LTD.	LES PRODUITS INDUSTRIELS ROBAR INC.
BC Phone (604) 591-8811 / 1-800-663-6553	QUEBEC Phone (450) 441-7525 / 1-800-315-9525
Fax (604) 591-5288	Fax (450) 441-4894
Email: waterworks@robarindustries.com	Web www.Robarindustries.com

1508 CAST DUCTILE IRON COUPLINGS

STRAIGHT & TRANSITION
PRICE INFORMATION



Nom Pipe Size	First End				By X	Second End				MAX. Press. (LBS/IN)	Fasteners No. Dia x Length	Sleeve Length (IN.)	List Price	
	Range					Range								
	Low	Pipe OD Actual	High*	End Code		Low	Pipe OD Actual	High*	End Code					
12**	12.00		12.30	F4A	x	12.00		12.30	F4A	300	8 5/8 x 11	7	\$ 764.48	
	12.30		12.60	F4B		12.30		12.60	F4B					
	12.60	12.75	12.90	D4		12.60	12.75	12.90	D4					
	13.20	13.20	13.60	B2		13.20	13.20	13.60	B2					
	13.80	14.00	14.10	A1		13.80	14.00	14.10	A1		8 5/8 x 14	10***		\$ 909.84
	14.10		14.35	E5		14.10		14.35	E5					
Series 2 (STANDARD STEEL AND DUCTILE SIZES ONLY)														
12	12.60	12.75	12.90	S9	x	12.60	12.75	12.90	S9	300	7 5/8 x 10	6	\$ 701.63	
	13.20	13.20	13.50	G8		13.20	13.20	13.50	G8					
14	14.60		14.90	F2	x	14.60		14.90	F2	150	9 5/8 x 11	7	\$ 1,302.97	
	15.30	15.30	15.70	B2		15.30	15.30	15.70	B2					
	15.80	16.00	16.25	A1		15.80	16.00	16.25	A1					
	16.40		16.80	E5		16.40		16.80	E5					
16	17.40	17.40	17.80	B2	x	17.40	17.40	17.80	B2	150	10 5/8 x 11	7	\$ 1,574.17	
	17.80	18.00	18.20	A1		17.80	18.00	18.20	A1					
	18.40		18.80	E5		18.40		18.80	E5					
18	18.80		19.20	B1	x	18.80		19.20	B1	150	12 5/8 x 11	7	\$ 1,861.09	
	19.10	19.50	19.70	A2		19.10	19.50	19.70	A2					
	19.70	20.00	20.25	E5		19.70	20.00	20.25	E5					
20	20.80		21.35	B1	x	20.80		21.35	B1	150	12 5/8 x 11	7	\$ 2,098.90	
	21.35	21.60	21.75	A2		21.35	21.60	21.75	A2					
	21.75	22.00	22.25	E5		21.75	22.00	22.25	E5					
22	22.95		23.35	B1	x	22.95		23.35	B1	150	13 5/8 x 11	7	\$ 2,319.01	
	23.45		23.85	A2		23.45		23.85	A2					
	23.75	24.00	24.25	E5		23.75	24.00	24.25	E5					
24	25.70	25.80	26.00	A2	x	25.70	25.80	26.00	A2	150	14 5/8 x 15	10	\$ 2,778.88	
	26.10		26.32	E5		26.10		26.32	E5					

All dimensions are in inches

Note: * The high limit of the range is used in the ordering code.
 ** Some transitions may required a stepped center sleeve.
 *** Only available with end codes B2, A1 & E5

ROBAR INDUSTRIES LTD.

BC Phone (604) 591-8811 / 1-800-663-6553
 Fax (604) 591-5288
 Email: waterworks@robarindustries.com

LES PRODUITS INDUSTRIELS ROBAR INC.

QUEBEC Phone (450) 441-7525 / 1-800-315-9525
 Fax (450) 441-4894
 Web www.Robarindustries.com



1519 CAST DUCTILE IRON COUPLINGS

STRAIGHT & TRANSITION
PRICE INFORMATION

Nom Pipe Size	First End				By X	Second End				MAX. Press. (LBS/IN)	Fasteners No. Dia x Length	Sleeve Length (IN.)	List Price
	Range			End Code		Range			End Code				
	Low	Pipe OD Actual	High*			Low	Pipe OD Actual	High*					
2	2.35	2.38	2.5	D3	x	2.35	2.38	2.5	D3	300	2 5/8 x 8	5	\$146.53
2.5	2.69	2.88	2.90	D3	x	2.69	2.88	2.90	D3	300	2 5/8 x 8	5	\$158.13
4	3.45	3.50	3.60	4T	x	3.45	3.50	3.60	4T	300	4 5/8 x 8	5	\$252.50
	3.75		4.05	F3A		3.75		4.05	F3A				
	4.05		4.35	F3B		4.05		4.35	F3B				
	4.40	4.50	4.60	D3		4.40	4.50	4.60	D3		4 5/8 x 11	7	\$303.08
	4.74	4.80	5.10	A1		4.74	4.80	5.10	A1				
	5.10		5.30	E5		5.10		5.30	E5				
6	5.85		6.15	F3A	x	5.85		6.15	F3A	300	5 5/8 x 8	5	\$362.61
	6.15		6.45	F3B		6.15		6.45	F3B				
	6.50	6.63	6.70	D3		6.50	6.63	6.70	D3		5 5/8 x 11	7	\$421.17
	6.86	6.90	7.10	A1		6.86	6.90	7.10	A1				
	7.15		7.35	E5		7.15		7.35	E5				
8	7.90		8.25	F3A	x	7.90		8.25	F3A	300	6 5/8 x 8	5	\$465.49
	8.25		8.55	F3B		8.25		8.55	F3B				
	8.55	8.63	8.75	D3		8.55	8.63	8.75	D3		6 5/8 x 11	7	\$532.20
	8.99	9.05	9.30	A1		8.99	9.05	9.30	A1				
	9.30		9.50	E5		9.30		9.50	E5				
10**	9.85		10.20	F4A	x	9.85		10.20	F4A	300	7 5/8 x 11	7	\$758.86
	10.20		10.50	F4B		10.20		10.50	F4B				
	10.60	10.75	10.90	D4		10.60	10.75	10.90	D4				
	11.10	11.10	11.40	B2		11.10	11.10	11.40	B2				
	11.55		11.75	A1		11.55		11.75	A1				
	11.90		12.10	E5		11.90		12.10	E5				
Series 2 (STANDARD STEEL AND DUCTILE SIZES ONLY)													
10	10.60	10.75	10.90	S9	x	10.60	10.75	10.90	S9	300	6 5/8 x 10	6	\$653.71
	11.10	11.10	11.40	G8		11.10	11.10	11.40	G8				

All dimensions are in inches

Continued....

Note: * The high limit of the range is used in the ordering code.
** Some transitions may required a stepped center sleeve.

ROBAR INDUSTRIES LTD.

BC Phone (604) 591-8811 / 1-800-663-6553
Fax (604) 591-5288
Email: waterworks@robarindustries.com

LES PRODUITS INDUSTRIELS ROBAR INC.

QUEBEC Phone (450) 441-7525 / 1-800-315-9525
Fax (450) 441-4894
Web www.Robarindustries.com



1519 CAST DUCTILE IRON COUPLINGS

STRAIGHT & TRANSITION
PRICE INFORMATION

Nom Pipe Size	First End				By X	Second End				MAX. Press. (LBS/IN)	Fasteners No. Dia x Length	Sleeve Length (IN.)	List Price
	Range			End Code		Range			End Code				
	Low	Pipe OD Actual	High*			Low	Pipe OD Actual	High*					
12**	12.00		12.30	F4A	x	12.00		12.30	F4A	300	8 5/8 x 11	7	\$ 855.28
	12.30		12.60	F4B		12.30		12.60	F4B				
	12.60	12.75	12.90	D4		12.60	12.75	12.90	D4				
	13.20	13.20	13.60	B2		13.20	13.20	13.60	B2				
	13.80	14.00	14.10	A1		13.80	14.00	14.10	A1				
	14.10		14.35	E5		14.10		14.35	E5				
Series 2 (STANDARD STEEL AND DUCTILE SIZES ONLY)													
12	12.60	12.75	12.90	S9	x	12.60	12.75	12.90	S9	300	7 5/8 x 10	6	\$ 769.63
	13.20	13.20	13.50	G8		13.20	13.20	13.50	G8				
14	14.60		14.90	F2	x	14.60		14.90	F2	150	9 5/8 x 11	7	\$ 1,542.22
	15.30	15.30	15.70	B2		15.30	15.30	15.70	B2				
	15.80	16.00	16.25	A1		15.80	16.00	16.25	A1				
	16.40		16.80	E5		16.40		16.80	E5				
16	17.40	17.40	17.80	B2	x	17.40	17.40	17.80	B2	150	10 5/8 x 11	7	\$ 1,704.77
	17.80	18.00	18.20	A1		17.80	18.00	18.20	A1				
	18.40		18.80	E5		18.40		18.80	E5				
18	18.80		19.20	B1	x	18.80		19.20	B1	150	12 5/8 x 11	7	\$ 2,062.75
	19.10	19.50	19.70	A2		19.10	19.50	19.70	A2				
	19.70	20.00	20.25	E5		19.70	20.00	20.25	E5				
20	20.80		21.35	B1	x	20.80		21.35	B1	150	12 5/8 x 11	7	\$ 2,382.58
	21.35	21.60	21.75	A2		21.35	21.60	21.75	A2				
	21.75	22.00	22.25	E5		21.75	22.00	22.25	E5				
22	22.95		23.35	B1	x	22.95		23.35	B1	150	13 5/8 x 11	7	\$ 2,639.55
	23.45		23.85	A2		23.45		23.85	A2				
	23.75	24.00	24.25	E5		23.75	24.00	24.25	E5				
24	25.70	25.80	26.00	A2	x	25.70	25.80	26.00	A2	150	14 5/8 x 15	10	\$ 2,945.11
	26.10		26.32	E5		26.10		26.32	E5				

All dimensions are in inches

Note: * The high limit of the range is used in the ordering code.
** Some transitions may required a stepped center sleeve.

ROBAR INDUSTRIES LTD.

BC Phone (604) 591-8811 / 1-800-663-6553
Fax (604) 591-5288
Email: waterworks@robarindustries.com

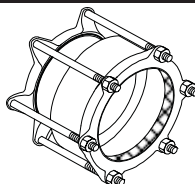
LES PRODUITS INDUSTRIELS ROBAR INC.

QUEBEC Phone (450) 441-7525 / 1-800-315-9525
Fax (450) 441-4894
Web www.Robarindustries.com



1506R REDUCING COUPLINGS

CAST DUCTILE IRON
PRICE INFORMATION



Nom Pipe Size	First End				By X	Second End				MAX. Press. (LBS/IN)	Fasteners No. Dia x Length	Sleeve Length (IN.)	List Price
	Range					Range							
	Low	Pipe OD Actual	High*	End Code		Low	Pipe OD Actual	High*	End Code				
6 x 4	5.85		6.15	F3A	x	3.45	3.50	3.60	4T	300	5 5/8 x 8	5	\$561.21
	6.15		6.45	F3B		3.75		4.05	F3A				
	6.50	6.63	6.70	D3		4.05		4.35	F3B				
	6.86	6.90	7.10	A1		4.40	4.50	4.60	D3				
	7.15		7.35	E5		4.74	4.80	5.10	A1				
						5.10		5.30	E5				
8 x 6	7.90		8.25	F3A	x	5.85		6.15	F3A	300	6 5/8 x 8	5	\$717.70
	8.25		8.55	F3B		6.15		6.45	F3B				
	8.55	8.63	8.75	D3		6.50	6.63	6.70	D3				
	8.99	9.05	9.30	A1		6.86	6.90	7.10	A1				
	9.30		9.50	E5		7.15		7.35	E5				
10 x 8	9.85		10.20	F4A	x	7.90		8.25	F3A	300	7 5/8 x 11	7	\$1,131.06
	10.20		10.50	F4B		8.25		8.55	F3B				
	10.60	10.75	10.90	D4		8.55	8.63	8.75	D3				
	11.10	11.10	11.40	B2		8.99	9.05	9.30	A1				
	11.55		11.75	A1		9.30		9.50	E5				
	11.90		12.10	E5									
12 x 10	12.00		12.30	F4A	x	9.85		10.20	F4A	300	8 5/8 x 11	7	\$1,285.21
	12.30		12.60	F4B		10.20		10.50	F4B				
	12.60	12.75	12.90	D4		10.60	10.75	10.90	D4				
	13.20	13.20	13.60	B2		11.10	11.10	11.40	B2				
	13.80	14.00	14.10	A1		11.55		11.75	A1				
	14.10		14.35	E5		11.90		12.10	E5				
14 x 12	14.60		14.90	F2	x	12.00		12.30	F4A	150	9 5/8 x 11	7	\$1,985.21
	15.30	15.30	15.70	B2		12.30		12.60	F4B				
	15.80	16.00	16.25	A1		12.60	12.75	12.90	D4				
	16.40		16.80	E5		13.20	13.20	13.60	B2				
						13.80	14.00	14.10	A1				
						14.10		14.35	E5				

All dimensions are in inches

Note: * The high limit of the range is used in the ordering code.

ROBAR INDUSTRIES LTD.

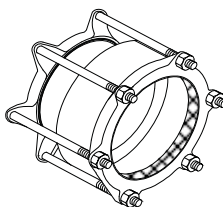
BC Phone (604) 591-8811 / 1-800-663-6553
 Fax (604) 591-5288
 Email: waterworks@robarindustries.com

LES PRODUITS INDUSTRIELS ROBAR INC.

QUEBEC Phone (450) 441-7525 / 1-800-315-9525
 Fax (450) 441-4894
 Web www.Robarindustries.com

1506R REDUCING COUPLINGS

CAST DUCTILE IRON
PRICE INFORMATION



Nom Pipe Size	First End				By X	Second End				MAX. Press. (LBS/IN)	Fasteners No. Dia x Length	Sleeve Length (IN.)	List Price
	Range			End Code		Range			End Code				
	Low	Pipe OD Actual	High*			Low	Pipe OD Actual	High*					
16 x 14					x	14.60		14.90	F2	150	10 5/8 x 11	7	\$ 2,390.22
	17.40	17.40	17.80	B2		15.30	15.30	15.70	B2				
	17.80	18.00	18.20	A1		15.80	16.00	16.25	A1				
	18.40		18.80	E5		16.40		16.80	E5				
18 x 16	18.80		19.20	B1	x	17.40	17.40	17.80	B2	150	12 5/8 x 11	7	\$ 3,042.55
	19.10	19.50	19.70	A2		17.80	18.00	18.20	A1				
	19.70	20.00	20.25	E5		18.40		18.80	E5				
20 x 16	20.80		21.35	B1	x	17.40	17.40	17.80	B2	150	12 5/8 x 11	7	\$ 3,399.61
	21.35	21.60	21.75	A2		17.80	18.00	18.20	A1				
	21.75	22.00	22.25	E5		18.40		18.80	E5				
20 x 18	20.80		21.35	B1	x	18.80		19.20	B1	150	12 5/8 x 11	7	\$ 3,282.26
	21.35	21.60	21.75	A2		19.10	19.50	19.70	A2				
	21.75	22.00	22.25	E5		19.70	20.00	20.25	E5				
22 x 16	22.95		23.35	B1	x	17.40	17.40	17.80	B2	150	13 5/8 x 11	7	\$ 3,843.93
	23.45		23.85	A2		17.80	18.00	18.20	A1				
	23.75	24.00	24.25	E5		18.40		18.80	E5				
22 x 18	22.95		23.35	B1	x	18.80		19.20	B1	150	13 5/8 x 11	7	\$ 3,825.93
	23.45		23.85	A2		19.10	19.50	19.70	A2				
	23.75	24.00	24.25	E5		19.70	20.00	20.25	E5				
22 x 20	22.95		23.35	B1	x	20.80		21.35	B1	150	13 5/8 x 11	7	\$ 3,517.61
	23.45		23.85	A2		21.35	21.60	21.75	A2				
	23.75	24.00	24.25	E5		21.75	22.00	22.25	E5				
24 x 22	25.70	25.80	26.00	A2	x	22.95		23.35	B1	150	14 5/8 x 15	10	\$ 4,553.90
	26.10		26.32	E5		23.45		23.85	A2				
						23.75	24.00	24.25	E5				

All dimensions are in inches

Note: * The high limit of the range is used in the ordering code.

ROBAR INDUSTRIES LTD.

BC Phone (604) 591-8811 / 1-800-663-6553
Fax (604) 591-5288
Email: waterworks@robarindustries.com

LES PRODUITS INDUSTRIELS ROBAR INC.

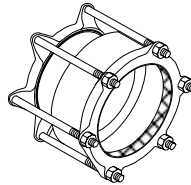
QUEBEC Phone (450) 441-7525 / 1-800-315-9525
Fax (450) 441-4894
Web www.Robarindustries.com



1507R REDUCING COUPLINGS

CAST DUCTILE IRON

PRICE INFORMATION



Nom Pipe Size	First End				By X	Second End				MAX. Press. (LBS/IN)	Fasteners No. Dia x Length	Sleeve Length (IN.)	List Price
	Range			End Code		Range			End Code				
	Low	Pipe OD Actual	High*			Low	Pipe OD Actual	High*					
6 x 4	5.85		6.15	F3A	x	3.45	3.50	3.60	4T	300	5 5/8 x 8	5	\$610.07
	6.15		6.45	F3B		3.75		4.05	F3A				
	6.50	6.63	6.70	D3		4.05		4.35	F3B				
	6.86	6.90	7.10	A1		4.40	4.50	4.60	D3				
	7.15		7.35	E5		4.74	4.80	5.10	A1				
						5.10		5.30	E5				
8 x 6	7.90		8.25	F3A	x	5.85		6.15	F3A	300	6 5/8 x 8	5	\$776.35
	8.25		8.55	F3B		6.15		6.45	F3B				
	8.55	8.63	8.75	D3		6.50	6.63	6.70	D3				
	8.99	9.05	9.30	A1		6.86	6.90	7.10	A1				
	9.30		9.50	E5		7.15		7.35	E5				
10 x 8	9.85		10.20	F4A	x	7.90		8.25	F3A	300	7 5/8 x 11	7	\$1,195.73
	10.20		10.50	F4B		8.25		8.55	F3B				
	10.60	10.75	10.90	D4		8.55	8.63	8.75	D3				
	11.10	11.10	11.40	B2		8.99	9.05	9.30	A1				
	11.55		11.75	A1		9.30		9.50	E5				
	11.90		12.10	E5									
12 x 10	12.00		12.30	F4A	x	9.85		10.20	F4A	300	8 5/8 x 11	7	\$1,358.50
	12.30		12.60	F4B		10.20		10.50	F4B				
	12.60	12.75	12.90	D4		10.60	10.75	10.90	D4				
	13.20	13.20	13.60	B2		11.10	11.10	11.40	B2				
	13.80	14.00	14.10	A1		11.55		11.75	A1				
	14.10		14.35	E5		11.90		12.10	E5				
14 x 12	14.60		14.90	F2	x	12.00		12.30	F4A	150	9 5/8 x 11	7	\$2,067.58
	15.30	15.30	15.70	B2		12.30		12.60	F4B				
	15.80	16.00	16.25	A1		12.60	12.75	12.90	D4				
	16.40		16.80	E5		13.20	13.20	13.60	B2				
						13.80	14.00	14.10	A1				
						14.10		14.35	E5				

All dimensions are in inches

Note: * The high limit of the range is used in the ordering code.

ROBAR INDUSTRIES LTD.

BC Phone (604) 591-8811 / 1-800-663-6553
 Fax (604) 591-5288
 Email: waterworks@robarindustries.com

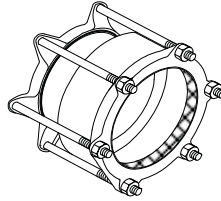
LES PRODUITS INDUSTRIELS ROBAR INC.

QUEBEC Phone (450) 441-7525 / 1-800-315-9525
 Fax (450) 441-4894
 Web www.Robarindustries.com



1507R REDUCING COUPLINGS

CAST DUCTILE IRON
PRICE INFORMATION



Nom Pipe Size	FIRST END				By X	SECOND END				MAX. PRESS. (LBS/IN ²)	Fasteners No. Dia x Length	Sleeve Length (IN.)	List Price
	RANGE					RANGE							
	Low	Pipe OD Actual	High*	End Code		Low	Pipe OD Actual	High*	End Code				
16 x 14					x	14.60		14.90	F2	150	10 5/8 x 11	7	\$ 2,489.70
	17.40	17.40	17.80	B2		15.30	15.30	15.70	B2				
	17.80	18.00	18.20	A1		15.80	16.00	16.25	A1				
	18.40		18.80	E5		16.40		16.80	E5				
18 x 16	18.80		19.20	B1	x	17.40	17.40	17.80	B2	150	12 5/8 x 11	7	\$ 3,066.29
	19.10	19.50	19.70	A2		17.80	18.00	18.20	A1				
	19.70	20.00	20.25	E5		18.40		18.80	E5				
20 x 16	20.80		21.35	B1	x	17.40	17.40	17.80	B2	150	12 5/8 x 11	7	\$ 3,519.02
	21.35	21.60	21.75	A2		17.80	18.00	18.20	A1				
	21.75	22.00	22.25	E5		18.40		18.80	E5				
20 x 18	20.80		21.35	B1	x	18.80		19.20	B1	150	12 5/8 x 11	7	\$ 3,401.62
	21.35	21.60	21.75	A2		19.10	19.50	19.70	A2				
	21.75	22.00	22.25	E5		19.70	20.00	20.25	E5				
22 x 16	22.95		23.35	B1	x	17.40	17.40	17.80	B2	150	13 5/8 x 11	7	\$ 3,973.27
	23.45		23.85	A2		17.80	18.00	18.20	A1				
	23.75	24.00	24.25	E5		18.40		18.80	E5				
22 x 18	22.95		23.35	B1	x	18.80		19.20	B1	150	13 5/8 x 11	7	\$ 3,955.28
	23.45		23.85	A2		19.10	19.50	19.70	A2				
	23.75	24.00	24.25	E5		19.70	20.00	20.25	E5				
22 x 20	22.95		23.35	B1	x	20.80		21.35	B1	150	13 5/8 x 11	7	\$ 3,624.12
	23.45		23.85	A2		21.35	21.60	21.75	A2				
	23.75	24.00	24.25	E5		21.75	22.00	22.25	E5				
24 x 22	25.70	25.80	26.00	A2	x	22.95		23.35	B1	150	14 5/8 x 15	10	\$ 4,292.56
	26.10		26.32	E5		23.45		23.85	A2				
						23.75	24.00	24.25	E5				

All dimensions are in inches

Note: * The high limit of the range is used in the ordering code.

ROBAR INDUSTRIES LTD.

BC Phone (604) 591-8811 / 1-800-663-6553
 Fax (604) 591-5288
 Email: waterworks@robarindustries.com

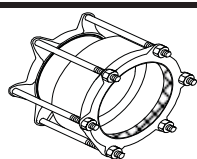
LES PRODUITS INDUSTRIELS ROBAR INC.

QUEBEC Phone (450) 441-7525 / 1-800-315-9525
 Fax (450) 441-4894
 Web www.Robarindustries.com



1508R REDUCING COUPLINGS

CAST DUCTILE IRON
PRICE INFORMATION



Nom Pipe Size	First End				By X	Second End				MAX. Press. (LBS/IN)	Fasteners No. Dia x Length	Sleeve Length (IN.)	List Price
	Range			End Code		Range			End Code				
	Low	Pipe OD Actual	High*			Low	Pipe OD Actual	High*					
6 x 4	5.85		6.15	F3A	x	3.45	3.50	3.60	4T	300	5 5/8 x 8	5	\$453.17
	6.15		6.45	F3B		3.75		4.05	F3A				
	6.50	6.63	6.70	D3		4.05		4.35	F3B				
	6.86	6.90	6.70	A1		4.40	4.50	4.60	D3				
	7.15		7.35	E5		4.74	4.80	5.10	A1				
						5.10		5.30	E5				
8 x 6	7.90		8.25	F3A	x	5.85		6.15	F3A	300	6 5/8 x 8	5	\$586.54
	8.25		8.55	F3B		6.15		6.45	F3B				
	8.55	8.63	8.75	D3		6.50	6.63	6.70	D3				
	8.99	9.05	9.30	A1		6.86	6.90	6.70	A1				
	9.30		9.50	E5		7.15		7.35	E5				
10 x 8	9.85		10.20	F4A	x	7.90		8.25	F3A	300	7 5/8 x 11	7	\$962.84
	10.20		10.50	F4B		8.25		8.55	F3B				
	10.60	10.75	10.90	D4		8.55	8.63	8.75	D3				
	11.10	11.10	11.40	B2		8.99	9.05	9.30	A1				
	11.55		11.75	A1		9.30		9.50	E5				
	11.90		12.10	E5									
12 x 10	12.00		12.30	F4A	x	9.85		10.20	F4A	300	8 5/8 x 11	7	\$1,091.82
	12.30		12.60	F4B		10.20		10.50	F4B				
	12.60	12.75	12.90	D4		10.60	10.75	10.90	D4				
	13.20	13.20	13.60	B2		11.10	11.10	11.40	B2				
	13.80	14.00	14.10	A1		11.55		11.75	A1				
	14.10		14.35	E5		11.90		12.10	E5				
14 x 12	14.60		14.90	F2	x	12.00		12.30	F4A	150	9 5/8 x 11	7	\$1,749.02
	15.30	15.30	15.70	B2		12.30		12.60	F4B				
	15.80	16.00	16.25	A1		12.60	12.75	12.90	D4				
	16.40		16.80	E5		13.20	13.20	13.60	B2				
						13.80	14.00	14.10	A1				
						14.10		14.35	E5				

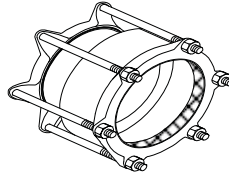
All dimensions are in inches
Continued....

Note: * The high limit of the range is used in the ordering code.

ROBAR INDUSTRIES LTD.	LES PRODUITS INDUSTRIELS ROBAR INC.
BC Phone (604) 591-8811 / 1-800-663-6553	QUEBEC Phone (450) 441-7525 / 1-800-315-9525
Fax (604) 591-5288	Fax (450) 441-4894
Email: waterworks@robarindustries.com	Web www.Robarindustries.com

1508R REDUCING COUPLINGS

CAST DUCTILE IRON
PRICE INFORMATION



Nom Pipe Size	First End				By X	Second End				MAX. Press. (LBS/IN)	Fasteners No. Dia x Length	Sleeve Length (IN.)	List Price
	Range					Range							
	Low	Pipe OD Actual	High*	End Code		Low	Pipe OD Actual	High*	End Code				
16 x 14					x	14.60		14.90	F2	150	10 5/8 x 11	7	\$ 2,104.13
	17.40	17.40	17.80	B2		15.30	15.30	15.70	B2				
	17.80	18.00	18.20	A1		15.80	16.00	16.25	A1				
	18.40		18.80	E5		16.40		16.80	E5				
18 x 16	18.80		19.20	B1	x	17.40	17.40	17.80	B2	150	12 5/8 x 11	7	\$ 2,692.45
	19.10	19.50	19.70	A2		17.80	18.00	18.20	A1				
	19.70	20.00	20.25	E5		18.40		18.80	E5				
20 x 16	20.80		21.35	B1	x	17.40	17.40	17.80	B2	150	12 5/8 x 11	7	\$ 3,038.71
	21.35	21.60	21.75	A2		17.80	18.00	18.20	A1				
	21.75	22.00	22.25	E5		18.40		18.80	E5				
20 x 18	20.80		21.35	B1	x	18.80		19.20	B1	150	12 5/8 x 11	7	\$ 2,923.87
	21.35	21.60	21.75	A2		19.10	19.50	19.70	A2				
	21.75	22.00	22.25	E5		19.70	20.00	20.25	E5				
22 x 16	22.95		23.35	B1	x	17.40	17.40	17.80	B2	150	13 5/8 x 11	7	\$ 3,446.81
	23.45		23.85	A2		17.80	18.00	18.20	A1				
	23.75	24.00	24.25	E5		18.40		18.80	E5				
22 x 18	22.95		23.35	B1	x	18.80		19.20	B1	150	13 5/8 x 11	7	\$ 3,429.15
	23.45		23.85	A2		19.10	19.50	19.70	A2				
	23.75	24.00	24.25	E5		19.70	20.00	20.25	E5				
22 x 20	22.95		23.35	B1	x	20.80		21.35	B1	150	13 5/8 x 11	7	\$ 3,132.35
	23.45		23.85	A2		21.35	21.60	21.75	A2				
	23.75	24.00	24.25	E5		21.75	22.00	22.25	E5				
24 x 22	25.70	25.80	26.00	A2	x	22.95		23.35	B1	150	14 5/8 x 15	10	\$ 3,692.39
	26.10		26.32	E5		23.45		23.85	A2				
						23.75	24.00	24.25	E5				

All dimensions are in inches

Note: * The high limit of the range is used in the ordering code.

ROBAR INDUSTRIES LTD.

BC Phone (604) 591-8811 / 1-800-663-6553
Fax (604) 591-5288
Email: waterworks@robarindustries.com

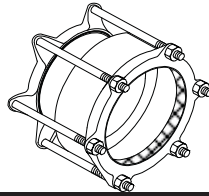
LES PRODUITS INDUSTRIELS ROBAR INC.

QUEBEC Phone (450) 441-7525 / 1-800-315-9525
Fax (450) 441-4894
Web www.Robarindustries.com



1519R REDUCING COUPLINGS

CAST DUCTILE IRON
PRICE INFORMATION



Nom Pipe Size	First End				By X	Second End				MAX. Press. (LBS/IN)	Fasteners No. Dia x Length	Sleeve Length (IN.)	List Price
	Range			End Code		Range			End Code				
	Low	Pipe OD Actual	High*			Low	Pipe OD Actual	High*					
6 x 4	5.85		6.15	F3A	x	3.45	3.50	3.60	4T	300	5 5/8 x 8	5	\$512.58
	6.15		6.45	F3B		3.75		4.05	F3A				
	6.50	6.63	6.70	D3		4.05		4.35	F3B				
	6.86	6.90	6.70	A1		4.40	4.50	4.60	D3				
	7.15		7.35	E5		4.74	4.80	5.10	A1				
						5.10		5.30	E5				
8 x 6	7.90		8.25	F3A	x	5.85		6.15	F3A	300	6 5/8 x 8	5	\$657.83
	8.25		8.55	F3B		6.15		6.45	F3B				
	8.55	8.63	8.75	D3		6.50	6.63	6.70	D3				
	8.99	9.05	9.30	A1		6.86	6.90	6.70	A1				
	9.30		9.50	E5		7.15		7.35	E5				
10 x 8	9.85		10.20	F4A	x	7.90		8.25	F3A	300	7 5/8 x 11	7	\$1,055.75
	10.20		10.50	F4B		8.25		8.55	F3B				
	10.60	10.75	10.90	D4		8.55	8.63	8.75	D3				
	11.10	11.10	11.40	B2		8.99	9.05	9.30	A1				
	11.55		11.75	A1		9.30		9.50	E5				
	11.90		12.10	E5									
12 x 10	12.00		12.30	F4A	x	9.85		10.20	F4A	300	8 5/8 x 11	7	\$1,190.28
	12.30		12.60	F4B		10.20		10.50	F4B				
	12.60	12.75	12.90	D4		10.60	10.75	10.90	D4				
	13.20	13.20	13.60	B2		11.10	11.10	11.40	B2				
	13.80	14.00	14.10	A1		11.55		11.75	A1				
	14.10		14.35	E5		11.90		12.10	E5				
14 x 12	14.60		14.90	F2	x	12.00		12.30	F4A	150	9 5/8 x 11	7	\$1,878.09
	15.30	15.30	15.70	B2		12.30		12.60	F4B				
	15.80	16.00	16.25	A1		12.60	12.75	12.90	D4				
	16.40		16.80	E5		13.20	13.20	13.60	B2				
						13.80	14.00	14.10	A1				
						14.10		14.35	E5				

All dimensions are in inches
Continued....

Note: * The high limit of the range is used in the ordering code.

ROBAR INDUSTRIES LTD.

BC Phone (604) 591-8811 / 1-800-663-6553
Fax (604) 591-5288
Email: waterworks@robarindustries.com

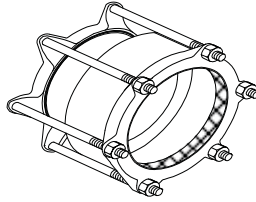
LES PRODUITS INDUSTRIELS ROBAR INC.

QUEBEC Phone (450) 441-7525 / 1-800-315-9525
Fax (450) 441-4894
Web www.Robarindustries.com



1519R REDUCING COUPLINGS

CAST DUCTILE IRON
PRICE INFORMATION



Nom Pipe Size	First End				By X	Second End				MAX. Press. (LBS/IN)	Fasteners No. Dia x Length	Sleeve Length (IN.)	List Price
	Range			End Code		Range			End Code				
	Low	Pipe OD Actual	High*			Low	Pipe OD Actual	High*					
16 x 14						14.60		14.90	F2	150	10 5/8 x 11	7	\$ 2,261.00
	17.40	17.40	17.80	B2	15.30	15.30	15.70	B2					
	17.80	18.00	18.20	A1	15.80	16.00	16.25	A1					
	18.40		18.80	E5	16.40		16.80	E5					
18 x 16	18.80		19.20	B1	17.40	17.40	17.80	B2	150	12 5/8 x 11	7	\$ 2,792.15	
	19.10	19.50	19.70	A2	17.80	18.00	18.20	A1					
	19.70	20.00	20.25	E5	18.40		18.80	E5					
20 x 16	20.80		21.35	B1	17.40	17.40	17.80	B2	150	12 5/8 x 11	7	\$ 3,244.88	
	21.35	21.60	21.75	A2	17.80	18.00	18.20	A1					
	21.75	22.00	22.25	E5	18.40		18.80	E5					
20 x 18	20.80		21.35	B1	18.80		19.20	B1	150	12 5/8 x 11	7	\$ 3,135.97	
	21.35	21.60	21.75	A2	19.10	19.50	19.70	A2					
	21.75	22.00	22.25	E5	19.70	20.00	20.25	E5					
22 x 16	22.95		23.35	B1	17.40	17.40	17.80	B2	150	13 5/8 x 11	7	\$ 3,684.75	
	23.45		23.85	A2	17.80	18.00	18.20	A1					
	23.75	24.00	24.25	E5	18.40		18.80	E5					
22 x 18	22.95		23.35	B1	18.80		19.20	B1	150	13 5/8 x 11	7	\$ 3,666.80	
	23.45		23.85	A2	19.10	19.50	19.70	A2					
	23.75	24.00	24.25	E5	19.70	20.00	20.25	E5					
22 x 20	22.95		23.35	B1	20.80		21.35	B1	150	13 5/8 x 11	7	\$ 3,335.39	
	23.45		23.85	A2	21.35	21.60	21.75	A2					
	23.75	24.00	24.25	E5	21.75	22.00	22.25	E5					
24 x 22	25.70	25.80	26.00	A2	22.95		23.35	B1	150	14 5/8 x 15	10	\$ 3,981.15	
	26.10		26.32	E5	23.45		23.85	A2					
					23.75	24.00	24.25	E5					

All dimensions are in inches

Note: * The high limit of the range is used in the ordering code.

ROBAR INDUSTRIES LTD.

BC Phone (604) 591-8811 / 1-800-663-6553
Fax (604) 591-5288
Email: waterworks@robarindustries.com

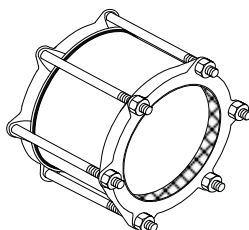
LES PRODUITS INDUSTRIELS ROBAR INC.

QUEBEC Phone (450) 441-7525 / 1-800-315-9525
Fax (450) 441-4894
Web www.Robarindustries.com



1506 & 1508 COUPLING COMPONENTS

PRICE INFORMATION



Nominal Pipe Size	Center Sleeve Description	Center Sleeve Length	Center Sleeve Price	End Ring Price	Gasket Price
4	Standard	5"	\$ 62.70	\$ 37.13	\$ 11.85
	Long Body	7"	\$ 100.62	\$ 37.13	\$ 11.85
6	Standard	5"	\$ 107.80	\$ 52.86	\$ 14.39
	Long Body	7"	\$ 151.39	\$ 52.86	\$ 14.39
8	Standard	5"	\$ 112.90	\$ 79.55	\$ 22.10
	Long Body	7"	\$ 169.96	\$ 79.55	\$ 22.10
10	Standard	7"	\$ 277.14	\$ 86.26	\$ 30.14
	G8 and S9	7"	\$ 211.08	\$ 103.61	\$ 23.74
12	Standard	7"	\$ 291.75	\$ 124.59	\$ 43.77
	G8 and S9	7"	\$ 222.77	\$ 110.88	\$ 33.96
14	Standard	7"	\$ 541.50	\$ 244.50	\$ 91.98
16	Standard	7"	\$ 574.70	\$ 289.40	\$ 96.78
18	Standard	7"	\$ 706.06	\$ 351.94	\$ 110.84
20	Standard	7"	\$ 808.63	\$ 441.45	\$ 114.91
22	Standard	7"	\$ 970.29	\$ 457.68	\$ 117.30
24	Standard	10"	\$ 992.22	\$ 525.27	\$ 130.79

Note: For Fasteners Prices see page 1 - 31

ROBAR INDUSTRIES LTD.

BC Phone (604) 591-8811 / 1-800-663-6553
 Fax (604) 591-5288
 Email waterworks@robarindustries.com

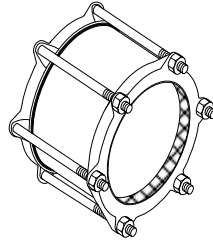
LES PRODUITS INDUSTRIELS ROBAR INC.

QUEBEC Phone (450) 441-7525 / 1-800-315-9525
 Fax (450) 441-4894
 Web www.Robarindustries.com



1507 & 1519 COUPLING COMPONENTS

PRICE INFORMATION



Nominal Pipe Size	Center Sleeve Description	Center Sleeve Length	1507 Center Sleeve Price	1519 Center Sleeve Price	End Ring Price	Gasket Price
4	Standard	5"	\$ 75.24	\$ 82.89	\$ 40.82	\$ 11.85
	Long Body	7"	\$ 120.75	\$ 128.34	\$ 40.82	\$ 11.85
6	Standard	5"	\$ 129.36	\$ 137.01	\$ 57.46	\$ 14.40
	Long Body	7"	\$ 181.66	\$ 189.27	\$ 57.46	\$ 14.40
8	Standard	5"	\$ 135.47	\$ 152.24	\$ 84.93	\$ 22.09
	Long Body	7"	\$ 203.95	\$ 170.91	\$ 84.93	\$ 22.09
10	Standard	7"	\$ 332.57	\$ 340.21	\$ 115.04	\$ 30.14
	G8 and S9	7"	\$ 253.30	\$ 260.89	\$ 110.01	\$ 23.74
12	Standard	7"	\$ 350.10	\$ 357.71	\$ 131.89	\$ 43.77
	G8 and S9	7"	\$ 267.33	\$ 274.98	\$ 118.15	\$ 33.96
14	Standard	7"	\$ 649.79	\$ 658.05	\$ 253.45	\$ 91.98
16	Standard	7"	\$ 689.64	\$ 697.91	\$ 299.34	\$ 96.78
18	Standard	7"	\$ 847.28	\$ 855.51	\$ 363.87	\$ 110.84
20	Standard	7"	\$ 970.36	\$ 978.63	\$ 453.43	\$ 114.91
22	Standard	7"	\$ 1,164.36	\$ 1,172.65	\$ 470.55	\$ 117.30
24	Standard	10"	\$ 1,190.66	\$ 1,198.89	\$ 540.48	\$ 130.79

Note: For Fasteners Prices see page 1 - 31

ROBAR INDUSTRIES LTD.

BC Phone (604) 591-8811 / 1-800-663-6553

Fax (604) 591-5288

Email waterworks@robarindustries.com

LES PRODUITS INDUSTRIELS ROBAR INC

QUEBEC Phone (450) 441-7525/1-800-315-9525

Fax (450) 441-4894

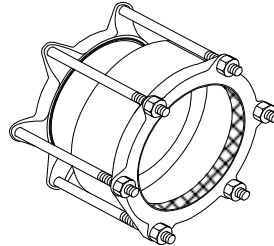
Web www.Robarindustries.com



1506R and 1508R

REDUCING COUPLING COMPONENTS

PRICE INFORMATION



Nominal Pipe Size	Center Sleeve Description	Center Sleeve Price	Large End Ring Price	Small End Ring Price	Large Gasket Price	Small Gasket Price
6 x 4	6" Standard x 4" Standard	\$ 171.94	\$ 52.86	\$ 168.14	\$ 14.40	\$ 11.85
8 x 6	8" Standard x 6" Standard	\$ 230.04	\$ 79.63	\$ 194.26	\$ 22.09	\$ 14.40
10 x 8	10" Steel x 8" Standard	\$ 488.00	\$ 108.69	\$ 257.11	\$ 30.14	\$ 22.09
	10" Standard x 8" Standard	\$ 488.00	\$ 108.69	\$ 257.11	\$ 30.14	\$ 22.09
10 x 10	10" Standard x 10" Steel	\$ 332.57	\$ 108.69	\$ 111.95	\$ 30.14	\$ 30.14
12 x 10	12" Steel x 10" Steel	\$ 556.99	\$ 124.58	\$ 277.26	\$ 43.77	\$ 30.14
	12" Steel x 10" Standard	\$ 556.99	\$ 124.58	\$ 272.08	\$ 43.77	\$ 30.14
	12" Standard x 10" Steel	\$ 556.99	\$ 124.58	\$ 272.08	\$ 43.77	\$ 30.14
	12" Standard x 10" Standard	\$ 556.99	\$ 124.58	\$ 272.08	\$ 43.77	\$ 30.14
12 x 12	12" Standard x 12" Steel	\$ 350.10	\$ 124.58	\$ 128.34	\$ 43.77	\$ 43.77
14 x 12	14" Standard x 12" Standard	\$ 873.84	\$ 244.50	\$ 441.30	\$ 91.98	\$ 43.77
16 x 14	16" Standard x 14" Standard	\$ 999.67	\$ 289.39	\$ 548.74	\$ 96.78	\$ 91.98
18 x 16	18" Standard x 16" Standard	\$ 1,342.90	\$ 351.95	\$ 604.36	\$ 110.84	\$ 96.78
20 x 16	20" Standard x 16" Standard	\$ 1,595.59	\$ 441.46	\$ 700.14	\$ 114.91	\$ 96.78
20 x 18	20" Standard x 18" Standard	\$ 1,482.20	\$ 441.46	\$ 685.16	\$ 114.91	\$ 110.84
22 x 16	22" Standard x 16" Standard	\$ 1,983.18	\$ 457.67	\$ 694.32	\$ 114.91	\$ 96.78
22 x 18	22" Standard x 18" Standard	\$ 1,928.69	\$ 457.67	\$ 718.06	\$ 117.30	\$ 110.84
22 x 20	22" Standard x 20" Standard	\$ 1,542.86	\$ 457.67	\$ 802.81	\$ 117.30	\$ 114.91
24 x 22	24" Standard x 22" Standard	\$ 1,780.46	\$ 525.02	\$ 984.91	\$ 130.79	\$ 117.30

Note: For Fasteners Prices see page 1 - 31

ROBAR INDUSTRIES LTD.

BC Phone (604) 591-8811 / 1-800-663-6553
 Fax (604) 591-5288
 Email: waterworks@robarindustries.com

LES PRODUITS INDUSTRIELS ROBAR INC.

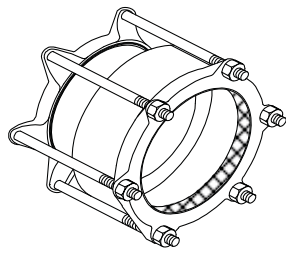
QUEBEC Phone (450) 441-7525 / 1-800-315-9525
 Fax (450) 441-4894
 Web: www.Robarindustries.com



1507R / 1519R

REDUCING COUPLING COMPONENTS

PRICE INFORMATION



Nominal Pipe Size	Center Sleeve Description	Center Sleeve Price	Large End Ring Price	Small End Ring Price	Large Gasket Price	Small Gasket Price
6 x 4	6" Standard x 4" Standard	\$ 171.95	\$ 52.86	\$ 168.16	\$ 14.40	\$ 11.85
8 x 6	8" Standard x 6" Standard	\$ 230.04	\$ 79.63	\$ 194.24	\$ 22.09	\$ 14.40
10 x 8	10" Steel x 8" Standard	\$ 488.00	\$ 108.69	\$ 257.11	\$ 30.14	\$ 22.09
	10" Standard x 8" Standard	\$ 488.00	\$ 108.69	\$ 257.11	\$ 30.14	\$ 22.09
10 x 10	10" Standard x 10" Steel	\$ 332.57	\$ 108.69	\$ 111.95	\$ 30.14	\$ 30.14
12 x 10	12" Steel x 10" Steel	\$ 556.99	\$ 124.58	\$ 277.25	\$ 43.77	\$ 30.14
	12" Steel x 10" Standard	\$ 556.99	\$ 124.58	\$ 272.07	\$ 43.77	\$ 30.14
	12" Standard x 10" Steel	\$ 556.99	\$ 124.58	\$ 272.07	\$ 43.77	\$ 30.14
	12" Standard x 10" Standard	\$ 556.99	\$ 124.58	\$ 272.07	\$ 43.77	\$ 30.14
12 x 12	12" Standard x 12" Steel	\$ 350.10	\$ 124.58	\$ 128.34	\$ 43.77	\$ 43.77
14 x 12	14" Standard x 12" Standard	\$ 873.84	\$ 244.50	\$ 441.30	\$ 91.98	\$ 43.77
16 x 14	16" Standard x 14" Standard	\$ 999.66	\$ 289.39	\$ 548.75	\$ 96.78	\$ 91.98
18 x 16	18" Standard x 16" Standard	\$ 1,342.90	\$ 351.96	\$ 604.36	\$ 110.84	\$ 96.78
20 x 16	20" Standard x 16" Standard	\$ 1,595.59	\$ 441.46	\$ 700.14	\$ 114.91	\$ 96.78
20 x 18	20" Standard x 18" Standard	\$ 1,482.20	\$ 441.46	\$ 718.06	\$ 114.91	\$ 110.84
22 x 16	22" Standard x 16" Standard	\$ 1,983.18	\$ 457.66	\$ 694.32	\$ 114.91	\$ 96.78
22 x 18	22" Standard x 18" Standard	\$ 1,928.69	\$ 457.66	\$ 569.89	\$ 117.30	\$ 110.84
22 x 20	22" Standard x 20" Standard	\$ 1,542.86	\$ 457.66	\$ 802.81	\$ 117.30	\$ 114.91
24 x 20	24" Standard x 22" Standard	\$ 1,780.46	\$ 525.02	\$ 986.33	\$ 130.79	\$ 117.30

Note: For Fasteners Prices see page 1 - 31

ROBAR INDUSTRIES LTD.
BC Phone (604) 591-8811 / 1-800-663-6553
 Fax (604) 591-5288
 Email: waterworks@robarindustries.com

LES PRODUITS INDUSTRIELS ROBAR INC.
QUEBEC Phone (450) 441-7525 / 1-800-315-9525
 Fax (450) 441-4894
 Web: www.Robarindustries.com



1506, 1507, 1508 & 1519 FASTENERS PRICE INFORMATION

Coupling Fasteners - T-304 Stainless Steel

Description	Price
5/8" NC x 8" SS TRACKHEAD BOLTS	\$ 22.27
5/8" NC x 11" SS TRACKHEAD BOLTS	\$ 23.65
5/8" NC x 12" SS TRACKHEAD BOLTS	\$ 25.79
5/8" NC x 14" SS TRACKHEAD BOLTS	\$ 32.78
5/8" NC x 15" SS TRACKHEAD BOLTS	\$ 35.12
5/8" NC x 18" SS TRACKHEAD BOLTS	\$ 42.16
5/8" NC SS HEAVY HEX NUTS	\$ 2.74
5/8" SS WASHERS	\$ 0.70

Coupling Fasteners - Low Alloy Steel

Description	Price
5/8" NC x 8" TRACKHEAD BOLTS	\$ 7.91
5/8" NC x 11" TRACKHEAD BOLTS	\$ 8.48
5/8" NC x 12" TRACKHEAD BOLTS	\$ 9.25
5/8" NC x 14" TRACKHEAD BOLTS	\$ 11.99
5/8" NC x 15" TRACKHEAD BOLTS	\$ 12.84
5/8" NC x 18" TRACKHEAD BOLTS	\$ 15.42
5/8" NC HEAVY HEX NUTS	\$ 1.13

1507 & 1519 Coupling Fasteners - Epoxy Coated Low Alloy Steel

Description	Price
5/8" NC x 8" COATED TRACKHEAD BOLTS	\$ 12.71
5/8" NC x 11" COATED TRACKHEAD BOLTS	\$ 15.62
5/8" NC x 14" COATED TRACKHEAD BOLTS	\$ 21.18
ANODES 300G	\$ 17.71
3/4" x 9" T-304 SS TAPPING SLEEVE BOLTS	\$ 40.13
3/4" SS HEAVY HEX NUT	\$ 4.94
3/4" SS WASHER	\$ 1.73
3/4" x 9" MILD STEEL TAPPING SLEEVE BOLTS	\$ 13.52
3/4" MILD STEEL HEAVY HEX NUT	\$ 1.87

ROBAR INDUSTRIES LTD.

BC Phone (604) 591-8811 / 1-800-663-6553
Fax (604) 591-5288
Email: waterworks@robarindustries.com

LES PRODUITS INDUSTRIELS ROBAR INC.

QUEBEC Phone (450) 441-7525 / 1-800-315-9525
Fax (450) 441-4894
Web: www.Robarindustries.com



2 Bolt All Stainless Steel Coupling

1696-2B

PRICING INFORMATION

1696 - 2B Coupling

Nominal Size	Weight Lbs.	List Price
4"	17	\$ 612.16
6"	21	\$ 709.79
8"	25	\$ 855.47
10"	41	\$ 1,252.21
10"OS	44	\$ 1,351.88
12"	46	\$ 1,419.58
12"OS	51	\$ 1,575.00



The 2 Bolt Coupling Working Range

Nominal Size	Overall Range	Inner Gasket Range	Outer Gasket Range
4"	4.46 - 5.63	4.46 - 5.03	4.97 - 5.63
6"	6.56 - 7.63	6.56 - 7.13	7.07 - 7.63
8"	8.54 - 9.84	8.54 - 9.17	9.13 - 9.84
10"	10.70 - 11.90	10.70 - 11.30	11.25 - 11.90
10"OS	11.00 - 12.25	11.00 - 11.65	11.60 - 12.25
12"	12.70 - 13.80	12.70 - 13.30	13.25 - 13.80
12"OS	13.15 - 14.40	13.15 - 13.80	13.75 - 14.40

Note: 4" - 8" 305 PSI Working Pressure
10" & 12" 200 PSI Working Pressure

Angular Deflection up to 7

Bolt Torque limit for 5/8" bolts is 80 ft./lbs.

All gaskets are NBR

A torque wrench should be used to ensure that the gaskets are sufficiently compressed

The use of a pipe insert is required when using on HDPE

Coupling is fully assembled with both gaskets when shipped

Couplings do not prevent Pipe Pullout. Restraint should be used where required

ROBAR INDUSTRIES LTD.

BC Phone (604) 591-8811 / 1-800-663-6553

Fax (604) 591-5288

Email: waterworks@robarindustries.com

LES PRODUITS INDUSTRIELS ROBAR INC.

QUEBEC

Phone (450) 441-7525 / 1-800-315-9525

Fax (450) 441-4894

Web: www.robarindustries.com



The VANTAGE COUPLING

1498/1496/1598/1596/1696

PRICING INFORMATION

MULTI-RANGE COUPLINGS

Nominal Size	Weight Lbs.	LIST PRICE		
		1598	1596	1696
		Epoxy Coated MS Bolts & Nuts	Epoxy Coated SS Bolts & Nuts	All Stainless Steel
4"	25	\$ 335.67	\$ 392.64	\$ 729.90
6"	32	\$ 431.08	\$ 477.45	\$ 990.21
8"	41	\$ 503.52	\$ 575.05	\$ 1,460.28
10"	75	\$ 733.16	\$ 822.39	\$ 2,115.82
12"	107	\$ 1,016.73	\$ 1,086.94	\$ 2,491.61

The Vantage Working Range	Barrel Length	# of Bolts
4"	4.50 - 5.60	3
6"	6.63 - 7.60	3
8"	8.63 - 9.80	3
10"	10.75 - 12.26	4
12"	12.75 - 14.40	5

Note: 150 PSI Working Pressure
 Angular Deflection up to 7
 Bolt Torque limit for 5/8" bolts is 70 ft./lbs.
 All gaskets are NBR
 A torque wrench should be used to ensure that the gaskets are sufficiently compressed
Couplings do not prevent Pipe Pullout. Restraint should be used where required

ROBAR INDUSTRIES LTD.

BC Phone (604) 591-8811 / 1-800-663-6553
 Fax (604) 591-5288
 Email: waterworks@robarindustries.com

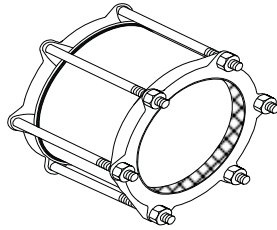
LES PRODUITS INDUSTRIELS ROBAR INC.

QUEBEC Phone (450) 441-7525 / 1-800-315-9525
 Fax (450) 441-4894
 Web www.Robarindustries.com



Stab-fit Couplings

PRICE INFORMATION



Nominal Size	Weight Lbs	LIST PRICE			
		1506	1508	1519	1507
4" STD	16.0	\$ 281.10	\$ 212.84	\$ 244.94	\$ 319.03
4" LB	21.0	\$ 323.09	\$ 244.74	\$ 280.38	\$ 370.05
6"STD	24.0	\$ 398.77	\$ 296.11	\$ 351.71	\$ 446.21
6"LB	32.0	\$ 458.59	\$ 340.53	\$ 403.25	\$ 517.61
8"STD	28.0	\$ 500.45	\$ 373.88	\$ 451.51	\$ 557.33
8"LB	34.0	\$ 575.55	\$ 429.94	\$ 519.44	\$ 646.50
10"	49.0	\$ 707.11	\$ 547.10	\$ 634.11	\$ 769.26
12"	56.0	\$ 836.70	\$ 680.55	\$ 746.56	\$ 912.47

STD= 5" center barrel

LB = 7" center barrel

The Stab Fit Working Range		# of Bolts	Barrel Length
4"	4.50 - 5.10"	4	5" or 7"
6"	6.63 - 7.22"	4	5" or 7"
8"	8.63 - 9.30"	5	5" or 7"
10"	10.75 - 11.40"	7	7"
12"	12.75 - 13.50"	7	7"

Notes: Couplings fits IPS OD to old cast OD with one gasket
 Does not require dis-assembly to install
 One less bolt compared to conventional bolted coupling
 An economical alternative to typical wide range couplings
 Rugged cast ductile construction

Couplings do not prevent Pipe Pullout. Restraint should be used where required

ROBAR INDUSTRIES LTD.

BC Phone (604) 591-8811 / 1-800-663-6553
 Fax (604) 591-5288
 Email: waterworks@robarindustries.com

LES PRODUITS INDUSTRIELS ROBAR INC.

QUEBEC Phone (450) 441-7525 / 1-800-315-9525
 Fax (450) 441-4894
 Web: www.Robarindustries.com



EBAA 3800 SERIES COUPLINGS

PRICING INFORMATION

The 3800 Restrained Coupling is used for joining and restraining two plain end pipes of the same or dissimilar materials (Ductile Iron, Steel, PVC C900, and HDPE).

EBAA 3800 Restrained Coupling

Nominal Size	Weight Lbs.	LIST PRICE			
		STANDARD (C900 or DI Pipe)	Transition (STD x IPS)	IPS x IPS	Add on for SS Tie Rods
4"	37	\$ 409.10	\$ 427.83	\$ 446.57	\$ 144.86
6"	50	\$ 550.05	\$ 573.85	\$ 597.63	\$ 218.44
8"	68	\$ 714.11	\$ 748.06	\$ 782.02	\$ 218.44
10"	86	\$ 947.27	\$ 999.76	\$ 1,052.25	\$ 289.72
12"	104	\$ 1,082.17	\$ 1,148.87	\$ 1,215.56	\$ 289.72

For larger sizes please contact Robar

Note: *Up to 350 PSI Working Pressure*
The use of a pipe wall stiffening insert (model 9626) is required for use on HDPE
Angular Deflection up to 5 degrees
3/4" Diameter Tie Rods
Torque limiting twist off nuts
All gaskets are SBR. Other compounds available
Couplings are made of cast ductile iron
Minimum 2 to 1 safety factor

ROBAR INDUSTRIES LTD.

BC Phone (604) 591-8811 / 1-800-663-6553
 Fax (604) 591-5288
 Email: waterworks@robarindustries.com

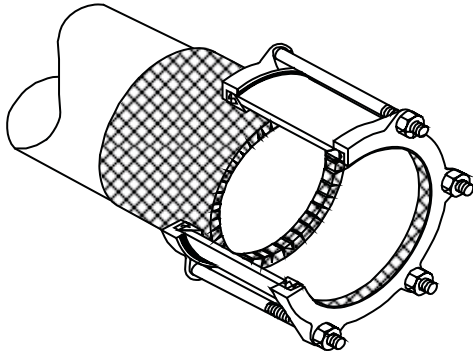
LES PRODUITS INDUSTRIELS ROBAR INC.

QUEBEC Phone (450) 441-7525 / 1-800-315-9525
 Fax (450) 441-4894
 Web: www.Robarindustries.com



1180 ISOLATING BOOTS

PRICE INFORMATION

**Standard Sizes:**

4" to 24" Nominal Pipe OD
Larger Sizes are available

USE:

Robar 1180 Isolating boot are used in conjunction with ROBAR couplings to separate pipe ends in cathodically protected areas.
Gasket length is 7"

Material Specification:

Boot: NBR (Buna N) Rubber Compound for water service and high dielectric value.
(ASTM D2000-80 AA 615).

Nominal Pipe Size		LIST PRICE
4		\$ 52.41
6		\$ 70.12
8		\$ 84.42
10		\$ 126.49
12		\$ 141.42
14		\$ 161.90
16		\$ 186.30
18		\$ 203.02
20		\$ 227.09
22		\$ 254.03
24		\$ 270.70

ROBAR INDUSTRIES LTD.

BC Phone (604) 591-8811 / 1-800-663-6553
Fax (604) 591-5288
Email: waterworks@robarindustries.com

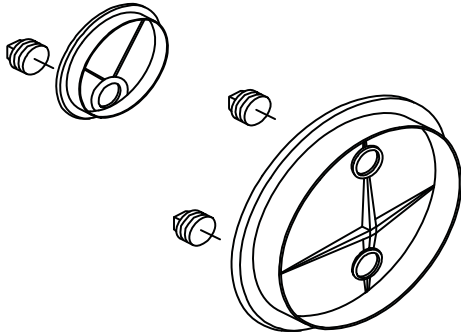
LES PRODUITS INDUSTRIELS ROBAR INC.

QUEBEC Phone (450) 441-7525 / 1-800-315-9525
Fax (450) 441-4894
Web: www.Robarindustries.com



1510 COUPLING END CAPS

PRICE INFORMATION



Standard Sizes:

4" to 10" Nominal Pipe OD

USE:

Robar 1410 & 1510 End Caps are used in conjunction with a standard ROBAR coupling (ordered separately) for the purpose of: Temporary stops for mains to be extended in the future

MATERIAL SPECIFICATION

CAP: Cast Ductile Iron (ASTM A536)
PLUG: Cast Iron - 2"IP square head
COATING: 1510 - Corrosion Protective Epoxy Coated (AWWA C-213).

For an EPOXY coated 8" End Cap, the ordering code is:
1510 - 8"

Nominal Pipe Size	Cap OD	Outlet Plug Quantity	LIST PRICE
			1510
4	5.1	1	\$ 107.44
6	7.1	1	\$ 118.89
8	9.3	1	\$ 156.81
10	11.4	2	\$ 234.24

Note: End capped coupling must be restrained to resist hydraulic end thrust

ROBAR INDUSTRIES LTD.

BC Phone (604) 591-8811 / 1-800-663-6553
Fax (604) 591-5288
Email: waterworks@robarindustries.com

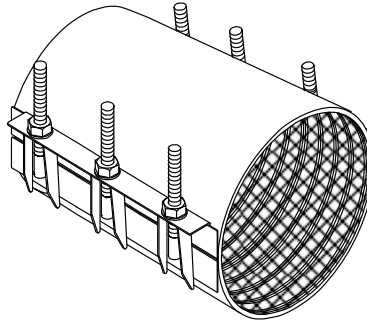
LES PRODUITS INDUSTRIELS ROBAR INC.

QUEBEC Phone (450) 441-7525 / 1-800-315-9525
Fax (450) 441-4894
Web: www.Robarindustries.com



1606 STAINLESS STEEL COUPLINGS

PRICE INFORMATION



Nominal Pipe Size	Maximum Pressure (PSI)	LIST PRICE				
		Style 1 6" Shell	Style 1 12" Shell	Style 2 12" Shell	Style 3 18" Shell	Style 3 24" Shell
4	150	\$ 185.73	\$ 336.79	\$ 542.40		
6	150	\$ 202.57	\$ 369.31	\$ 588.83		
8	150	\$ 238.49	\$ 395.91	\$ 627.71		
10	150		\$ 428.26	\$ 664.67		
12	150		\$ 486.59	\$ 707.50		
14	125		\$ 552.71	\$ 752.56		
16	100				\$ 1,503.48	\$ 1,908.84
18	100				\$ 1,583.20	\$ 2,006.08
20	100					\$ 2,233.39
22	100					\$ 2,307.57
24	100					\$ 2,386.70

Note: Other sizes and pressure ratings available
 Bolt torque limit for all sizes is 80 ft/lbs
 ROBAR 9626 Adjustable stainless steel Inserts are recommended for use on HDPE
 4.80"OD is the minimum OD 1606 Couplings can be sized to fit

ROBAR INDUSTRIES LTD.

BC Phone (604) 591-8811 / 1-800-663-6553
 Fax (604) 591-5288
 Email waterworks@robarindustries.com

LES PRODUITS INDUSTRIELS ROBAR INC.

QUEBEC Phone (450) 441-7525 / 1-800-315-9525
 Fax (450) 441-4894
 Web: www.Robarindustries.com



1200 Series Galvanized Couplings

PRICE INFORMATION

Nominal Pipe Size	Actual Pipe OD	Maximum Pressure (PSI)	LIST PRICE	
			QTY 1 - 49	QTY 50 - 149
1/2"	.84"	150	\$ 20.57	\$ 18.70
3/4"	1.05"	150	\$ 24.37	\$ 22.16
1"	1.32"	150	\$ 30.69	\$ 27.92
1-1/4"	1.66"	150	\$ 40.07	\$ 36.41
1-1/2"	1.90"	150	\$ 48.71	\$ 44.26
2"	2.38"	150	\$ 60.84	\$ 55.29

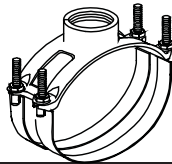
Note: Gaskets are made from Nitrile Rubber (NBR) compound.
Galvanized finish for corrosion resistance
non-restrained connection between pipes of the same diameter

ROBAR INDUSTRIES LTD.

BC Phone (604) 591-8811 / 1-800-663-6553
Fax (604) 591-5288
Email: waterworks@robarindustries.com

LES PRODUITS INDUSTRIELS ROBAR INC.

QUEBEC Phone (450) 441-7525 / 1-800-315-9525
Fax (450) 441-4894
Web www.Robarindustries.com



2506 & 2508 SERVICE SADDLES

**CAST DUCTILE IRON
PRICE INFORMATION**

2506 - Designed for tapping into Steel, Ductile, Cast Iron, C900 and AC pipe. Saddle straps and bodies are shaped evenly and safely distribute the clamping load to the pipe. When tightening, the saddle conforms to the various diameters in each nominal size of pipe within the specified working range.

2506 SADDLES COMPLETE WITH FLAT WASHERS

Nominal Pipe Size	Working Range		Outlet Sizes AWWA CC or IP	Approximate Shipping Weights		List Price Saddle Body		List Price *Strap Kit	List Price Saddle	
	Low	High*		(LBS.)	(KG)	(SS)	(DS)		(SS)	(DS)
2"	2.23	2.56	3/4 - 1	2.0	0.9	\$ 56.61		\$ 26.60	\$ 85.11	
3"	3.25	3.54	3/4 - 1	2.5	1.1	\$ 57.69		\$ 28.12	\$ 86.75	
4"	4.5	5.4	3/4 - 2	5.0	2.3	\$ 65.73		\$ 31.76	\$ 95.47	
				6.5	2.9		\$ 71.33			\$ 130.76
6"	6.62	7.5	3/4 - 2	6.0	2.7	\$ 67.27		\$ 35.69	\$ 100.71	
				8.5	3.9		\$ 80.58			\$ 147.44
8"	8.62	9.62	3/4 - 2	6.5	2.9	\$ 85.18		\$ 39.62	\$ 122.26	
				10.0	4.5		\$ 90.79			\$ 165.00
10"	10.75	12.12	3/4 - 2	7.5	3.4	\$ 93.90		\$ 47.88	\$ 138.77	
				11.5	5.2		\$ 96.30			\$ 185.99
12"	12.75	14.38	3/4 - 2	11.5	5.2	\$ 98.92		\$ 53.63	\$ 149.05	
				12.5	5.7		\$ 123.99			\$ 224.36
14"	15.15	16.00	3/4 - 2	15.0	6.8		\$ 171.52	\$ 54.97		\$ 277.67
16"	17.25	17.80	3/4 - 2	19.0	8.6		\$ 201.54	\$ 63.24		\$ 330.97
	17.80	18.00								

2508 SADDLES COMPLETE WITH FLAT WASHERS

2508 - Designed for tapping into Steel, Ductile and Cast Iron pipe. Not suitable on Plastic pipe

Nominal Pipe Size	Working Range		Outlet Sizes AWWA CC or IP	Approximate Shipping Weights		List Price Saddle Body		List Price *Strap Kit	List Price Saddle	
	Low	High*		(LBS.)	(KG)	(SS)	(DS)		(SS)	(DS)
4"	4.5	5.4	3/4 - 2	5.0	2.3	\$ 65.73		\$ 19.39	\$ 87.03	
				6.5	2.9		\$ 71.33			\$ 124.05
6"	6.62	7.5	3/4 - 2	6.0	2.7	\$ 67.27		\$ 27.09	\$ 92.06	
				8.5	3.9		\$ 80.58			\$ 135.67
8"	8.62	9.62	3/4 - 2	6.5	2.9	\$ 85.18		\$ 28.61	\$ 106.11	
				10.0	4.5		\$ 90.79			\$ 152.58
10"	10.75	12.12	3/4 - 2	7.5	3.4	\$ 93.90		\$ 32.30	\$ 118.06	
				11.5	5.2		\$ 96.30			\$ 167.46
12"	12.75	14.38	3/4 - 2	11.5	5.2	\$ 98.92		\$ 34.46	\$ 139.84	
				12.5	5.7		\$ 123.99			\$ 198.28
14"	15.15	16.00	3/4 - 2	15.0	6.8		\$ 171.52	\$ 35.50		\$ 239.75
16"	17.25	17.80	3/4 - 2	19.0	8.6		\$ 201.54	\$ 35.57		\$ 283.51
	17.80	18.00								

* STRAP KIT consist of 1x Strap, 2x Nuts, 2x Washers

ROBAR INDUSTRIES LTD.

BC Phone (604) 591-8811 / 1-800-663-6553
 Fax (604) 591-5288
 Email: waterworks@robarindustries.com

LES PRODUITS INDUSTRIELS ROBAR INC.

QUEBEC Phone (450) 441-7525 / 1-800-315-9525
 Fax (450) 441-4894
 Web www.Robarindustries.com



2616 SERVICE SADDLES

FABRICATED STAINLESS STEEL PRICE INFORMATION

Nominal Pipe Size	Outlet Size	Double Bolt List Price		Working Range		
		IP	CC	Low	Pipe OD	High
2"	3/4"	\$ 148.83	\$ 145.34	2.00		2.25
	1"	\$ 151.31	\$ 153.26	2.30	2.38	2.50
	1 1/4" (IP only)	\$ 175.16		2.50		2.70
2 1/2" & 3"	3/4"	\$ 153.48	\$ 150.26	2.70	2.88	2.90
	1"	\$ 157.84	\$ 158.17	2.90		3.15
	1 1/4" (IP only)	\$ 188.93		3.35	3.50	3.65
	1 1/2" (IP only)	\$ 188.93		3.70	3.80	3.95
	2" (IP only)	\$ 242.55				
4"	3/4"	\$ 149.36	\$ 148.84	4.00		4.40
	1"	\$ 157.47	\$ 156.57	4.20	4.50	4.60
	1 1/4"	\$ 220.47	\$ 204.33	4.60	4.80	5.00
	1 1/2"	\$ 201.83	\$ 242.59	4.80		5.20
	2"	\$ 226.50	\$ 260.23	5.20		5.60
6"	3/4"	\$ 160.51	\$ 159.96	6.00		6.40
	1"	\$ 168.21	\$ 167.63	6.40	6.63	6.80
	1 1/4"	\$ 236.39	\$ 220.14	6.60	6.90	7.00
	1 1/2"	\$ 217.58	\$ 258.46	6.80		7.20
	2"	\$ 242.28	\$ 276.21	7.20		7.60
8"	3/4"	\$ 166.93	\$ 165.77	8.00		8.40
	1"	\$ 174.06	\$ 173.48	8.40	8.63	8.80
	1 1/4"	\$ 250.54	\$ 234.36	8.60	9.05	9.05
	1 1/2"	\$ 231.84	\$ 272.71	8.90		9.30
	2"	\$ 256.56	\$ 290.49	9.20		9.60
10"	3/4"	\$ 184.47	\$ 198.41	9.60		10.00
	1"	\$ 192.20	\$ 206.13	10.00		10.40
	1 1/4"	\$ 264.67	\$ 248.50	10.40	10.75	10.80
	1 1/2"	\$ 245.99	\$ 286.79	10.70		11.10
	2"	\$ 270.50	\$ 304.47	10.90	11.30	
				11.60		12.00
12"	3/4"	\$ 193.75	\$ 208.33	12.00		12.40
	1"	\$ 202.15	\$ 216.04	12.40	12.75	12.80
	1 1/4"	\$ 277.88	\$ 261.63	12.75	13.20	13.20
	1 1/2"	\$ 259.31	\$ 299.96	13.10		13.40
	2"	\$ 283.79	\$ 317.74	13.60		14.00

Note: This product can be manufactured to your specification. Contact Robar.

The high limit of the range is used in the ordering code

Large Outlets: 2-1/2" and 3" IP outlets are available in the 2626 series only

The price is determined by the outlet size and type, not by the working range.

ROBAR INDUSTRIES LTD.

BC Phone (604) 591-8811 / 1-800-663-6553

Fax (604) 591-5288

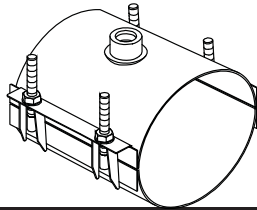
Email: waterworks@robarindustries.com

LES PRODUITS INDUSTRIELS ROBAR INC.

QUEBEC Phone (450) 441-7525 / 1-800-315-9525

Fax (450) 441-4894

Web: www.Robarindustries.com



2626 SERVICE SADDLES

FABRICATED STAINLESS STEEL

PRICE INFORMATION

Nominal Pipe Size	Outlet Size	Double Bolt List Price		Working Range		
		IP	CC	Low	Pipe OD	High
3"	3/4"	\$ 205.11	\$ 210.79	3.45	3.50	4.25
	1"	\$ 209.13	\$ 218.44			
4"	3/4"	\$ 232.53	\$ 238.21	4.20	4.50	5.00
	1"	\$ 236.55	\$ 245.89	4.74	4.80	5.54
	1 1/4"	\$ 287.23	\$ 299.55	5.35		6.15
	1 1/2"	\$ 314.03	\$ 343.47	5.90		6.70
	2"	\$ 325.05	\$ 367.03			
6"	3/4"	\$ 242.03	\$ 247.74	6.40	6.63	7.20
	1"	\$ 246.08	\$ 255.37	6.85	6.90	7.65
	1 1/4"	\$ 303.19	\$ 315.41	7.05		7.85
	1 1/2"	\$ 329.91	\$ 359.27			
	2"	\$ 340.98	\$ 382.88			
	2 1/2" & 3"	\$ 644.96				
8"	3/4"	\$ 250.58	\$ 256.29	7.95	8.63	8.75
	1"	\$ 254.64	\$ 263.97	8.40		9.20
	1 1/4"	\$ 317.43	\$ 329.70	9.00	9.05	9.80
	1 1/2"	\$ 344.17	\$ 373.56	9.30		10.10
	2"	\$ 407.67	\$ 397.15			
	2 1/2" & 3"	\$ 659.17				
10"	3/4"	\$ 275.52	\$ 281.15	10.00		10.80
	1"	\$ 279.50	\$ 288.42	10.40	10.75	11.20
	1 1/4"	\$ 331.42	\$ 343.68	11.05	11.10	11.85
	1 1/2"	\$ 358.19	\$ 387.57	11.40		12.20
	2"	\$ 369.26	\$ 411.24			
	2 1/2" & 3"	\$ 673.26				

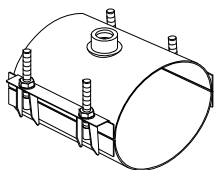
Note: 2 1/2" and 3" IP outlets available on nominal size 6" and above.
 This product can be manufactured to your specification. Contact Robar.
 The high limit of the range is used in the ordering code
 The price is determined by the outlet size and type, not by the working range.

ROBAR INDUSTRIES LTD.

BC Phone: (604) 591-8811/ 1-800-663-6553
 Fax: (604) 591-5288
 Email: waterworks@robar.com

LES PRODUITS INDUSTRIELS ROBAR INC.

QUEBEC Phone (450) 441-7525 / 1-800-315-9525
 Fax (450) 441-4894
 Web: www.Robarindustries.com



2626 SERVICE SADDLES

FABRICATED STAINLESS STEEL PRICE INFORMATION

Nominal Pipe Size	Outlet Size	Double Bolt List Price		Working Range		
		IP	CC	Low	Pipe OD	High
12"	3/4"	\$ 285.50	\$ 291.06	12.00		12.80
	1"	\$ 289.43	\$ 298.78	12.20	12.75	13.00
	1 1/4"	\$ 344.64	\$ 356.88	13.10	13.20	13.90
	1 1/2"	\$ 371.44	\$ 400.84	13.40	14.00	14.20
	2"	\$ 382.47	\$ 424.36	13.70		14.50
	2 1/2" & 3"	\$ 686.46				
14"	3/4"	\$ 292.09	\$ 298.42	14.00		14.80
	1"	\$ 296.76	\$ 306.10	14.95	15.30	15.75
	1 1/4"	\$ 354.48	\$ 366.70			
	1 1/2"	\$ 381.17	\$ 410.61			
	2"	\$ 392.26	\$ 434.18			
	2 1/2" & 3"	\$ 696.26				
16"	3/4"	\$ 305.98	\$ 311.66	15.60	16.00	16.40
	1"	\$ 310.03	\$ 319.36	16.40		17.20
	1 1/4"	\$ 372.11	\$ 384.38	17.20	17.40	18.00
	1 1/2"	\$ 398.93	\$ 428.30			
	2"	\$ 409.98	\$ 451.89			
	2 1/2" & 3"	\$ 713.98				
18"	3/4"	\$ 313.99	\$ 319.68	17.60	18.00	18.40
	1"	\$ 318.03	\$ 327.35	18.00		18.80
	1 1/4"	\$ 382.79	\$ 395.00	18.40		19.20
	1 1/2"	\$ 409.54	\$ 438.92	18.80		19.60
	2"	\$ 420.59	\$ 462.53	19.20	19.50	20.00
	2 1/2" & 3"	\$ 724.56				

Note: This product can be manufactured to your specification. Contact Robar.
 The high limit of the range is used in the ordering code
 The price is determined by the outlet size and type, not by the working range.
 2 1/2" and 3" IP outlets available on nominal size 6" and above.

ROBAR INDUSTRIES LTD.

BC Phone: (604) 591-8811/ 1-800-663-6553
 Fax: (604) 591-5288
 Email: waterworks@robar.com

LES PRODUITS INDUSTRIELS ROBAR INC.

QUEBEC Phone (450) 441-7525/ 1-800-315-9525
 Fax (450) 441-4894
 Web: www.robarindustries.com



2636 SERVICE SADDLES

FABRICATED STAINLESS STEEL

PRICE INFORMATION

Nominal Pipe Size	Outlet Size	Double Bolt List Price		Working Range		
		IP	CC	Low	Pipe OD	High
16"	3/4"	\$ 370.79	\$ 376.44	15.92		17.12
	1"	\$ 374.80	\$ 384.15	16.25		17.45
	1 1/4"	\$ 436.85	\$ 449.13	17.10	17.40	18.30
	1 1/2"	\$ 463.72	\$ 493.07			
	2"	\$ 474.65	\$ 516.68			
	2 1/2" & 3"	\$ 778.66				
18"	3/4"	\$ 378.78	\$ 384.41	17.40	18.00	18.60
	1"	\$ 382.79	\$ 392.06	19.20	19.50/20.00	20.40
	1 1/4"	\$ 447.56	\$ 459.78			
	1 1/2"	\$ 474.26	\$ 503.65			
	2"	\$ 485.33	\$ 527.31			
	2 1/2" & 3"	\$ 789.34				
20"	3/4"	\$ 410.12	\$ 415.82	21.40	21.60	22.60
	1"	\$ 414.15	\$ 423.50	22.80		24.00
	1 1/4"	\$ 489.50	\$ 501.77	23.45	24.00	24.65
	1 1/2"	\$ 516.23	\$ 545.69			
	2"	\$ 527.33	\$ 569.90			
	2 1/2" & 3"	\$ 831.32				
24"	3/4"	\$ 426.08	\$ 431.71	24.45		25.65
	1"	\$ 430.09	\$ 439.41	25.50	25.80	26.70
	1 1/4"	\$ 510.80	\$ 522.99			
	1 1/2"	\$ 537.51	\$ 566.96			
	2"	\$ 548.53	\$ 590.51			
	2 1/2" & 3"	\$ 852.53				
26" - 30"***	3/4"	\$ 447.35	\$ 484.80	28.25		29.45
	1"	\$ 451.59	\$ 461.40	29.40	30.00	30.60
	1 1/4"	\$ 536.35	\$ 549.16	29.85		31.05
	1 1/2"	\$ 564.40	\$ 595.31	30.85		32.05
	2"	\$ 575.98	\$ 620.04	31.50	32.00	32.70
	2 1/2" & 3"	\$ 879.97				

***only rated for 50 PSI. Use a carbon steel tapping sleeve for higher pressures. Contact Robar.

Note: This product can be manufactured to your specification. Contact Robar.

The high limit of the range is used in the ordering code

The price is determined by the outlet size and type, not by the working range.

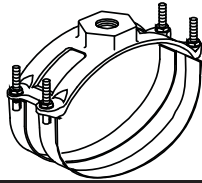
2 1/2" and 3" IP outlets available on nominal size 6" and above.

ROBAR INDUSTRIES LTD.

BC Phone (604) 591-8811 / 1-800-663-6553
 Fax (604) 591-5288
 Email: waterworks@robarindustries.com

LES PRODUITS INDUSTRIELS ROBAR INC.

QUEBEC Phone (450) 441-7525 / 1-800-315-9525
 Fax (450) 441-4894
 Web: www.Robarindustries.com



2706 SERVICE SADDLES

CAST BRONZE

PRICE INFORMATION

ROBAR 2706 Service Saddles are strong and resist corrosion. They fit pipes from Steel to Rough Barrel A/C. Flexible straps adapt readily to the pipe, evenly distributing load and easing installation.

Nominal Pipe Size	Working Range	Outlet Sizes AWWA CC or IP	Approximate Shipping Weights		Strap Style	Saddle Body Each	*Strap Kit	Complete Saddle List Price
			(LBS.)	(KG)				
4"	4.50-4.80	3/4 - 1	5.0	2.3	SS	\$ 59.44	\$ 33.60	\$ 113.40
		1 1/4 - 2			SS	\$ 101.86		\$ 165.31
		3/4 - 2	6.5	2.9	DS	\$ 123.45		\$ 233.05
6"	6.60-7.45 7.10-7.60	3/4 - 1	6.0	2.7	SS	\$ 64.71	\$ 37.77	\$ 125.00
		1 1/4 - 2			SS	\$ 94.01		\$ 160.75
		3/4 - 2	8.5	3.9	DS	\$ 143.06		\$ 266.68
8"	8.60-9.80	3/4 - 1	6.5	2.9	SS	\$ 76.21	\$ 41.92	\$ 144.12
		3/4 - 2	10.0	4.5	DS	\$ 146.64		\$ 281.23
10"	10.70-11.20 11.10-12.30	3/4 - 2	7.5	3.4	DS	\$ 138.98	\$ 55.75	\$ 305.51
12"	12.70 -13.30 13.10-14.55	3/4 - 2	11.5	5.2	DS	\$ 167.52	\$ 62.43	\$ 356.58
14"	15.10-15.70 15.20-16.85	3/4 - 2	5.0	2.3	DS	\$ 190.00	\$ 71.43	\$ 406.03
16"	17.20-18.00 17.40-19.00	3/4 - 2	6.0	2.7	DS	\$ 207.64	\$ 76.11	\$ 438.94
18" - 20"	18.60-20.40 19.50-21.30 19.70-21.50 21.00-22.80	3/4 - 2	6.5	2.9	DS	\$ 232.83	\$ 103.50	\$ 536.61
24"	23.75-24.75 24.60-25.60 25.65-26.50 26.55-27.55 27.60-28.55 29.60-30.50	3/4 - 2	7.5	3.4	DS	\$ 385.98	\$ 136.21	\$ 803.26

Note: The high limit of the range is used in the ordering code
Large Outlets: 2-1/2" and 3" IP outlets are available in the 2626 series only

* STRAP KIT consist of 1x Strap, 2x Nuts, 2x Washers

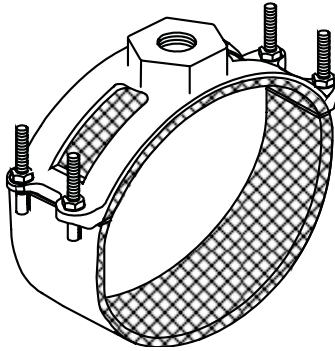
ROBAR INDUSTRIES LTD.
BC Phone (604) 591-8811 / 1-800-663-6553
 Fax (604) 591-5288
 Email waterworks@robarindustries.com

LES PROD LES PRODUITS INDUSTRIELS ROBAR INC.
QUEBEC QUEBEC Phone (450) 441-7525 / 1-800-315-9525
 Fax (450) 441-4894
 Web www.Robarindustries.com



2786 SERVICE SADDLES

CAST BRONZE
PRICE INFORMATION



Sizes Available: 4" - 20" Nominal Pipe OD
Outlets from 3/4" - 2" in AWWA taper (CC) or female iron pipe thread (IP)
Fits Steel (IPS), Ductile Iron and Cast Iron Pipe

Use:
ROBAR 2786 Isolating Saddle are used to electrically isolate an outlet or service line from a main distribution line. Primarily used in cathodically protected systems or to separate dissimilar metals. Waterworks Bronze and Passivated T-304 stainless steel are "noble" materials which are closely related to each other near the top of the Galvanic Scale or corrosion resistance. Unlike pairs of widely dissimilar metals, they will both exhibit long life in most "hot" soil environments.

Material Specification:

Saddle Body: Waterworks Bronze (ASTM B62 and AWWA C-800)
Gaskets: SBR (BUNA-S) Rubber Isolating Compound
Strap & Armor: T-304 Stainless Steel, fully passivated
Fasteners: 1/2" NC T-304 Stainless Steel studs, rolled threads

Nominal Pipe Size	Working Range		List Price
	Low	High*	
4"	4.50	4.80	\$ 419.22
6"	6.60	7.40	\$ 431.47
8"	8.60	9.40	\$ 445.45
10"	10.70	11.50	\$ 477.55
12"	12.70	13.50	\$ 496.02
14"	13.80	14.40	\$ 600.97
	15.20	16.00	\$ 600.97
16"	17.20	18.00	\$ 661.83
18"	19.20	20.00	\$ 692.77
20"	20.80	21.90	\$ 731.46

HOW TO ORDER:

Determine the product number (2786), the high limit of range (see above table), outlet size and outlet thread, and then use the appropriate ordering code as shown in the example.

2786 - 7.40" x 3/4" CC
ie. - 2786 - 7.40 x 3/4CC

Note: The 2786 is designed to be installed with a maximum torque of 45 ft. lbs.
* The high limit of the range is used in the ordering code

ROBAR INDUSTRIES LTD.

BC Phone (604) 591-8811 / 1-800-663-6553
Fax (604) 591-5288
Email: waterworks@robarindustries.com

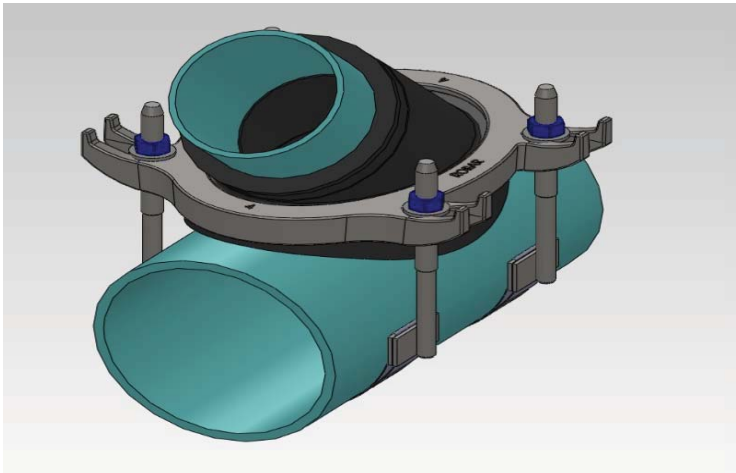
LES PRODUITS INDUSTRIELS ROBAR INC.

QUEBEC Phone (450) 441-7525 / 1-800-315-9525
Fax (450) 441-4894
Web: www.Robarindustries.com



3506 SEWER SADDLE

45 degree Outlet
PRICE INFORMATION



Standard Sizes:

6" to 48" Nominal Pipe OD on main line, 4" IPS & SDR inlet line. Sizes other than those specified may be ordered by contacting ROBAR.

Material Specification:

Body: Cast Ductile Iron per ASTM A536

Gasket: NBR per ASTM D2000 formulated with Anti-freezing and anti-ozone agent

Strap: 1-1/2" wide T-304 Stainless steel, 24 gauge, fully passivated

			LIST PRICE
Nominal Pipe Size	Working Range	Strap Length	3506 Epoxy
6" - 10"	6.27" - 12.75"	36"	\$ 257.13
12"	12.75" - 14.40"	48"	\$ 270.70
14" - 24"	14.40" - 25.80"	96"	\$ 289.09
26" - 48"	25.80" - 54.00"	192"	\$ 397.27

Must specify when ordering which gasket size is required. 4.21" or 4.50"

HOW TO ORDER:

Determine the product number (3506), the OD of sewer main and the actual OD of the branch, then order by using the appropriate ordering code as shown in the following example.

If a 4" branch (4.50"OD) off a 12" HDPE sewer main is required, the ordering code is:
3506 - 12.75" x 4.50"

ROBAR INDUSTRIES LTD.

BC Phone (604) 591-8811 / 1-800-663-6553
Fax (604) 591-5288
Email: waterworks@robarindustries.com

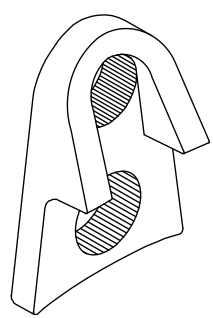
LES PRODUITS INDUSTRIELS ROBAR INC.

QUEBEC Phone (450) 441-7525 / 1-800-315-9525
Fax (450) 441-4894
Web: www.Robarindustries.com



4499 RESTRAINT LUG

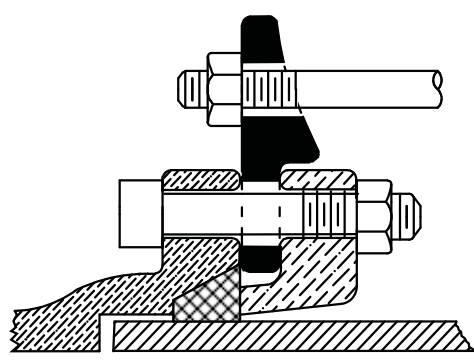
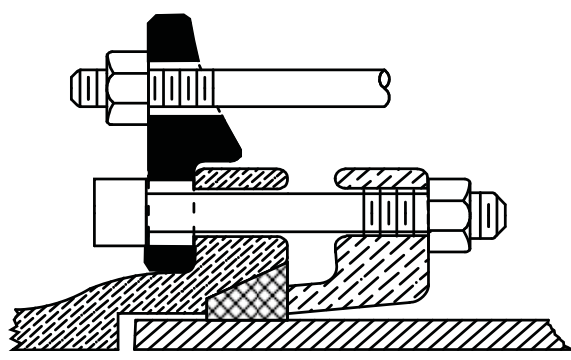
CAST DUCTILE IRON
PRICE INFORMATION



SIZES AVAILABLE:
One Size only.

USE:
ROBAR 4499 Restraint Lugs are designed for use on Mechanical Joint Fittings to prevent pipe pull-out.

Material: Cast Ductile Iron (ASTM A536)



Robar Product No.	LIST PRICE
4499	\$ 11.75

ROBAR INDUSTRIES LTD.
BC Phone (604) 591-8811 / 1-800-663-6553
 Fax (604) 591-5288
 Email: waterworks@robarindustries.com

LES PRODUITS INDUSTRIELS ROBAR INC.
QUEBEC Phone (450) 441-7525 / 1-800-315-9525
 Fax (450) 441-4894
 Web: www.Robarindustries.com

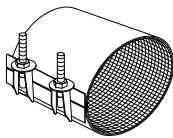


5616 REPAIR CLAMP (STYLE 1)

FABRICATED STAINLESS STEEL

PRICE INFORMATION

Nominal Pipe Size	Working Range			List Price					
	Low	Pipe OD Actual	High	Length of Clamp (Common Sizes)					
				6"	8"	12"	16"	20"	24"
3"	3.45	3.50	3.85	\$160.66	\$178.11	\$ 280.31	\$380.42	\$445.76	\$552.30
	3.95		4.35						
4"	4.45	4.50	4.85	\$169.35	\$189.90	\$ 289.03	\$386.43	\$477.94	\$576.38
	4.74	4.80	5.14						
	5.05		5.45						
	5.35		5.75						
6"	5.95		6.35	\$183.87	\$210.98	\$ 319.24	\$436.00	\$518.67	\$638.82
	6.40	6.63	6.80						
	6.60		7.00						
	6.85	6.90	7.25						
	7.05		7.45						
	7.40		7.80						
8"	7.95		8.35	\$205.37	\$238.80	\$ 358.88	\$475.00	\$575.41	\$697.31
	8.40	8.63	8.80						
	8.60		9.00						
	9.00	9.05	9.40						
	9.30		9.70						
10"	9.75		10.15	\$276.60	\$ 446.91	\$547.62	\$688.92	\$858.89	
	10.50	10.75	10.90						
	10.70		11.10						
	11.05	11.10	11.45						
	11.40		11.80						
	11.70		12.10						
12"	12.00		12.40	\$291.33	\$ 467.10	\$574.31	\$726.27	\$900.29	
	12.55	12.75	12.95						
	12.70		13.10						
	13.10	13.20	13.50						
	13.40		13.80						
	13.70	14.00	14.10						
	14.00		14.40						



Outlet Size	Price	
	IP	CC
3/4"	\$ 80.05	\$ 82.02
1"	\$ 82.96	\$ 82.02
1-1/4"	\$101.55	\$ 93.71
1-1/2"	\$109.34	\$109.34
2"	\$109.34	\$117.13

ROBAR INDUSTRIES LTD.

BC Phone (604) 591-8811 / 1-800-663-6553
 Fax (604) 591-5288
 Email: waterworks@robarindustries.com

LES PRODUITS INDUSTRIELS ROBAR INC.

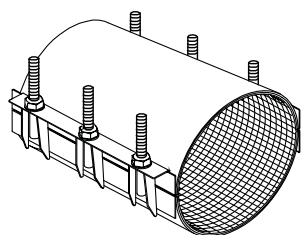
QUEBEC Phone (450) 441-7525 / 1-800-315-9525
 Fax (450) 441-4894
 Web: www.Robarindustries.com

5626 REPAIR CLAMP (STYLE 2)

FABRICATED STAINLESS STEEL

PRICE INFORMATION

Nominal Pipe Size	Working Range			List Price				
	Low	Pipe OD Actual	High	Length Of Clamp (Common Sizes)				
				8"	12"	16"	20"	24"
4"	4.45	4.50	5.25	\$ 291.33	\$ 453.66	\$ 611.59	\$ 772.16	\$ 916.53
	4.74	4.80	5.54					
	5.35		6.15					
	5.90		6.70					
6"	6.40	6.63	7.20	\$ 310.03	\$ 489.32	\$ 646.87	\$ 837.91	\$ 964.06
	6.85	6.90	7.65					
	7.05		7.85					
8"	7.95		8.75	\$ 341.59	\$ 529.12	\$ 699.34	\$ 882.18	\$1,030.63
	8.40	8.63	9.20					
	9.00	9.05	9.80					
	9.30		10.10					
10"	10.00		10.80	\$ 375.86	\$ 634.56	\$ 761.95	\$1,007.28	\$1,229.37
	10.70	10.75	11.50					
	11.05	11.10	11.85					
	11.40		12.20					
12"	12.00		12.80	\$ 443.47	\$ 665.76	\$ 860.92	\$1,071.01	\$1,304.49
	12.70	12.75	13.50					
	13.10	13.20	13.90					
	13.40		14.20					
14"	13.70	14.00	14.50	\$ 573.96	\$ 745.99	\$ 939.26	\$1,239.26	\$1,409.05
	14.00		14.80					
	14.95	15.30	15.75					
16"	15.75	16.00	16.55	\$ 635.25	\$ 828.17	\$1,030.37	\$1,320.35	\$1,538.60
	17.20	17.40	18.00					



Outlet Size	Price	
	IP	CC
3/4"	\$ 80.05	\$ 82.02
1"	\$ 82.96	\$ 82.02
1-1/4"	\$ 101.55	\$ 93.71
1-1/2"	\$ 109.34	\$ 109.34
2"	\$ 109.34	\$ 117.13

ROBAR INDUSTRIES LTD.

BC Phone (604) 591-8811 / 1-800-663-6553
 Fax (604) 591-5288
 Email: waterworks@robarindustries.com

LES PRODUITS INDUSTRIELS ROBAR INC.

QUEBEC Phone (450) 441-7525 / 1-800-315-9525
 Fax (450) 441-4894
 Web: www.Robarindustries.com

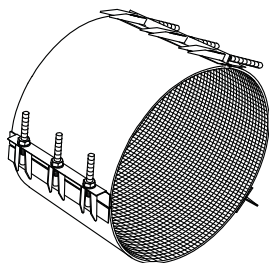


5636 REPAIR CLAMP (STYLE 3)

FABRICATED STAINLESS STEEL
PRICE INFORMATION

Nominal Pipe Size	Working Range			List Price				
	Low	Pipe OD Actual	High	Length of Clamp (Common Sizes)				
				8"	12"	16"	20"	24"
12"	13.10	13.20	14.00	\$ 578.20	\$ 937.91	\$ 1,192.86	\$ 1,548.00	\$ 1,816.61
	13.65	14.00	14.85					
14"	14.85	15.30	16.05	\$ 645.11	\$ 987.97	\$ 1,261.17	\$ 1,593.54	\$ 1,923.60
	15.92	16.00	17.12					
16"	16.25		17.45	\$ 826.79	\$ 1,064.70	\$ 1,332.71	\$ 1,668.93	\$ 2,023.34
	17.10	17.40	18.30					
18"	17.40	18.00	18.60	\$ 857.80	\$ 1,115.32	\$ 1,396.69	\$ 1,699.38	\$ 2,110.70
	19.20	19.50	20.40					
20"	21.40	21.60	22.60	\$ 928.16	\$ 1,237.90	\$ 1,536.58	\$ 1,930.40	\$ 2,373.60
	22.80		24.00					
	23.45	24.00	24.65					
24"	24.45		25.65	\$ 997.68	\$ 1,411.76	\$ 1,707.08	\$ 2,048.83	\$ 2,514.07
	25.50	25.80	26.70					
	28.25		29.45					
30"	29.40	30.00	30.60	\$ 1,056.77	\$ 1,529.80	\$ 1,843.59	\$ 2,080.37	\$ 2,656.97
	29.85		31.05					
	30.85		32.05					
	31.50	32.00	32.70					

Outlet Size	Price	
	IP	CC
3/4"	\$ 80.05	\$ 82.02
1"	\$ 82.96	\$ 82.02
1-1/4"	\$ 101.55	\$ 93.71
1-1/2"	\$ 109.34	\$ 109.34
2"	\$ 109.34	\$ 117.13



ROBAR INDUSTRIES LTD.

BC Phone (604) 591-8811 / 1-800-663-6553
 Fax (604) 591-5288
 Email: waterworks@robarindustries.com

LES PRODUITS INDUSTRIELS ROBAR INC.

QUEBEC Phone (450) 441-7525 / 1-800-315-9525
 Fax (450) 441-4894
 Web: www.Robarindustries.com



5606 & 5696 REPAIR CLAMP

PRICE INFORMATION

Standard Sizes for the 5606 & 5696 models:

2" to 8" nominal pipe OD with standard lengths from 4" to 12"

Use: **ROBAR 5606** Single Section Repair Clamps are used to repair small holes or breaks in watermains

Nominal Pipe Size	Working Range		List Price			
	Low	High*	Length of Clamp (Common Sizes)			
			4"	6"	8"	12"
2"	2.12	2.37	\$ 81.75	\$124.99	\$133.77	\$ 250.01
	2.25	2.50				
	2.37	2.62				
	2.63	2.88				
	2.87	3.12				
3"	3.25	3.50	\$ 88.03	\$135.78	\$139.84	\$ 211.56
	3.50	3.75				
	3.74	3.99				
4"	4.45	4.70	\$ 96.62	\$169.35	\$189.90	\$ 289.04
	4.75	5.00				
6"	6.58	6.83	\$ 109.38	\$183.87	\$210.98	\$ 319.24
	6.85	7.10				
8"	8.58	8.83	\$ 125.38	\$205.37	\$238.80	\$ 358.88
	9.00	9.25				

Use: **ROBAR 5696** Single Section Repair Clamps are used to repair small punctures, pinholes and splits.

Nominal Pipe Size	Working Range		List Price			
	Low	High*	Length of Clamp (Common Sizes)			
			4"	6"	8"	12"
2"	2.12	2.37	\$ 74.46	\$121.26	\$125.59	\$ 249.08
	2.25	2.50				
	2.37	2.62				
	2.63	2.88				
	2.87	3.12				
3"	3.25	3.50	\$ 78.59	\$125.59	\$128.71	\$ 185.48
	3.50	3.75				
	3.74	3.99				
4"	4.45	4.70	\$ 82.03	\$129.20	\$135.62	\$ 200.74
	4.75	5.00				
6"	6.58	6.83	\$ 91.36	\$145.65	\$150.98	\$ 219.04
	6.85	7.10				
8"	8.58	8.83	\$ 99.86	\$156.69	\$164.07	\$ 237.15
	9.00	9.25				

ROBAR INDUSTRIES LTD.

BC Phone (604) 591-8811 / 1-800-663-6553
 Fax (604) 591-5288
 Email: waterworks@robarindustries.com

LES PRODUITS INDUSTRIELS ROBAR INC.

QUEBEC Phone (450) 441-7525 / 1-800-315-9525
 Fax (450) 441-4894
 Web: www.Robarindustries.com



5696SC SNAP CLAMP

FABRICATED STAINLESS STEEL
PRICE INFORMATION

Standard Sizes for the 5696SC model:

1/2" to 4" nominal pipe OD with standard lengths of 3", 6" & 9"

Material: Shell:T-304 Stainless Steel
Closure:Ductile Iron lugs ASTM A536
Bolts: T-304SS

Use: **ROBAR 5696SC** Single Section Repair Clamps are used to repair small punctures, pinholes and splits.

Nominal Pipe Size	Working Range		List Price		
	Low	High*	Length of Clamp		
			3"	6"	9"
1/2"	0.83"	0.98"	\$ 47.80	\$ 91.06	-
3/4"	1.02"	1.18"	\$ 48.20	\$ 93.42	-
1"	1.30"	1.46"	\$ 51.74	\$ 96.98	-
1-1/4"	1.65"	1.77"	\$ 52.14	\$ 99.15	-
1-1/2"	1.89"	2.01"	\$ 53.14	\$ 104.10	-
2"	2.36"	2.52"	\$ 57.08	\$ 108.83	\$ 165.32
2.5"	2.79"	2.99"	-	\$ 133.80	\$ 198.29
3"	3.43"	3.66"	-	\$ 140.04	\$ 224.18
4"	4.41"	4.61"	-	-	\$ 261.10

ROBAR INDUSTRIES LTD.

BC Phone (604) 591-8811 / 1-800-663-6553
Fax (604) 591-5288
Email: waterworks@robarindustries.com

LES PRODUITS INDUSTRIELS ROBAR INC.

Phone (450) 441-7525 / 1-800-315-9525
Fax (450) 441-4894
Web: www.Robarindustries.com



5508 Bell Joint Leak Repair Clamps

PRICE INFORMATION

Use: To repair leaking Ductile Iron, PVC C900 or Cast Iron Bell Joints

Nominal Pipe	WEIGHT		Working Range	LIST PRICE
	LBS.	KG		
4"	18	8	4.80" - 5.00"	\$ 383.07
6"	27	12	6.90" - 7.10"	\$ 425.16
8"	33	15	9.05" - 9.30"	\$ 592.61
10"	43	19	11.10" - 11.40"	\$ 795.60
12"	48	22	13.20" - 13.50"	\$ 917.69
14"	125	57	15.30"	POA
16"	150	68	17.40"	POA
18"	175	79	19.50"	POA
20"	200	91	21.60"	POA
24"	325	147	25.80"	POA



Body Casting: 4-12" - Ductile Iron per ASTM A536
14-24" - Fabricated Steel

Gasket: NBR Nitrile Gasket

Coating: Epoxy coated

Bolts & Nuts: Low Alloy Steel per ASTM A325 and A563

ROBAR INDUSTRIES LTD.

BC Phone (604) 591-8811 / 1-800-663-6553

Fax (604) 591-5288

Email: waterworks@robarindustries.com

LES PRODUITS INDUSTRIELS ROBAR INC.

QUEBEC

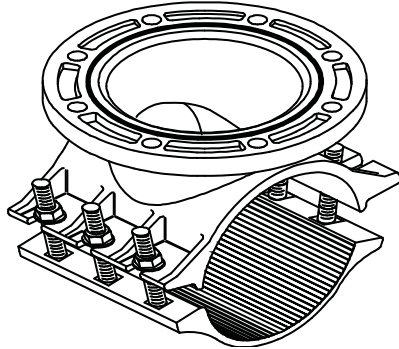
Phone (450) 441-7525 / 1-800-315-9525

Fax (450) 441-4894

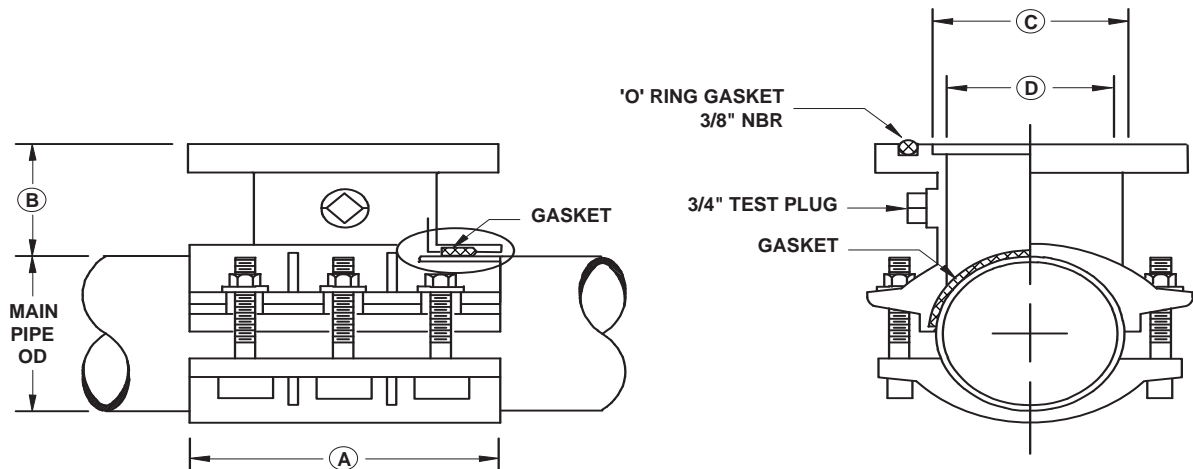
Web: www.Robarindustries.com

6504 & 6506 TAPPING SLEEVES

CAST DUCTILE IRON
PRICE INFORMATION



Nominal Pipe Size	Working Range	Ordering Code	List Price	
			Epoxy	
			6508	6506
4 x 4	4.74 - 5.10	PN - 4" x 4" x OD		\$1,018.19
6 x 4	6.86 - 7.10	PN - 6" x 4" x OD		\$1,050.05
6 x 6	6.86 - 7.10	PN - 6" x 6" x OD		\$1,192.12
8 x 4	8.99 - 9.30	PN - 8" x 4" x OD		\$1,102.47
8 x 6	8.99 - 9.31	PN - 8" x 6" x OD		\$1,194.71
8 x 8	8.99 - 9.32	PN - 8" x 8" x OD		\$1,465.83



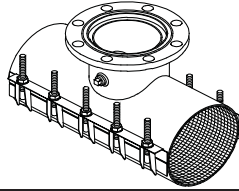
Nominal Size	Outlet Size	Sleeve Length	Flange Height (B)	Spigot OD	Branch ID (D)	Number of Bolts	Bolt Size
4"	4	8	3 5/8	5 1/32	4 3/8	6	3/4
6"	4	8 1/2	3 5/8	5 1/32	4 3/8	6	3/4
	6	8 1/2	3 5/8	7 1/32	6 3/8	6	3/4
8"	4	8 1/2	3 3/4	5 1/32	4 3/8	6	3/4
	6	8 1/2	3 3/4	7 1/32	6 3/8	6	3/4
	8	8 1/2	3 3/4	9 1/32	8 3/8	6	3/4

ROBAR INDUSTRIES LTD.

BC Phone (604) 591-8811 / 1-800-663-6553
 Fax (604) 591-5288
 Email waterworks@robarindustries.com

LES PRODUITS INDUSTRIELS ROBAR INC.

QUEBEC Phone (450) 441-7525 / 1-800-315-9525
 Fax (450) 441-4894
 Web www.Robarindustries.com



6606 TAPPING SLEEVES

STAINLESS STEEL
PRICE INFORMATION

Nominal Pipe Size	By x	Outlet Size	LIST PRICE	Fitting Length	Number of Bolts	Working Range	
						LOW	HIGH
4"	x	3	\$ 1,251.55	12	8	4.70	4.95
		4	\$ 1,251.55	12	8	4.95	5.20
6"	x	3	\$ 1,251.55	12	8	6.40	6.80
		4	\$ 1,251.55	12	8	6.80	7.20
6"	x	6	\$ 1,711.05	16	10	7.20	7.60
						6.75	7.00
						6.85	7.10
						7.00	7.25
8"	x	3	\$ 1,264.13	12	8	7.25	7.50
		4	\$ 1,264.13	12	8	8.40	8.80
		6	\$ 1,536.72	16	10	8.80	9.20
8"	x	8	\$ 2,472.79	20	12	9.20	9.60
						8.95	9.20
10"	x	3	\$ 1,321.48	12	8	9.25	9.50
		4	\$ 1,321.48	12	8	10.55	10.95
		6	\$ 1,698.62	16	10	10.90	11.30
		8	\$ 2,423.75	20	14	11.30	11.70
		10	\$ 3,068.31	20	14	11.90	12.30
12"	x	3	\$ 1,429.67	12	8	12.15	12.55
		4	\$ 1,429.67	12	8	12.55	12.95
		6	\$ 1,838.27	16	10	13.00	13.40
		8	\$ 2,598.44	20	14	13.40	13.80
		10	\$ 3,001.99	20	14	13.80	14.20
		12	\$ 4,237.99	24	16		
14"	x	3	\$ 1,556.40	12	8	15.10	15.50
		4	\$ 1,556.40	12	8	15.50	15.90
		6	\$ 2,002.96	16	10	15.80	16.20
		8	\$ 2,804.27	20	14	16.20	16.60
		10	\$ 3,223.66	20	14		
		12	\$ 4,535.87	24	16		

All dimensions are in inches
Continued...

Note: Size on size for IPS OD is not available.
When ordering a 6606 tapping sleeve, price is determined by the flange size and not by working range.
The working range is only a guideline, other ranges can be fabricated.

ROBAR INDUSTRIES LTD.

BC Phone (604) 591-8811 / 1-800-663-6553
Fax (604) 591-5288
Email waterworks@robarindustries.com

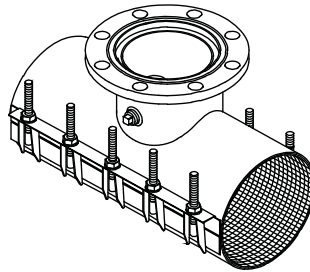
LES PRODUITS INDUSTRIELS ROBAR INC.

QUEBEC Phone (450) 441-7525 / 1-800-315-9525
Fax (450) 441-4894
Web www.Robarindustries.com



6606 TAPPING SLEEVES

STAINLESS STEEL
PRICE INFORMATION



Nominal Pipe Size	By x	Outlet Size	LIST PRICE	Fitting Length	Number of Bolts	Working Range	
						LOW	HIGH
16"	x	3	\$1,637.41	12	8	17.20	17.60
		4	\$1,637.41	12	8	17.40	17.80
		6	\$2,107.84	16	10	17.80	18.20
		8	\$2,935.42	20	14	18.40	18.80
		10	\$3,351.02	20	14	18.80	19.20
		12	\$4,679.92	24	16		
18"	x	3	\$1,759.26	12	12	19.30	19.70
		4	\$1,759.26	12	12	19.80	20.20
		6	\$2,265.84	16	15	20.20	20.60
		8	\$3,132.81	20	21		
		10	\$3,536.46	20	21		
		12	\$4,823.92	24	24		
20"	x	3	\$1,799.31	12	12	21.40	21.80
		4	\$1,799.31	12	12	22.00	22.40
		6	\$2,317.68	16	15	22.60	23.00
		8	\$3,197.70	20	21		
		10	\$3,606.00	20	21		
		12	\$4,968.08	24	24		
24"	x	3	\$2,002.22	12	12	23.20	23.60
		4	\$2,002.22	12	12	23.80	24.20
		6	\$2,580.60	16	15	25.60	26.00
		8	\$3,526.26	20	21		
		10	\$3,956.07	20	21		
		12	\$5,255.93	24	24		

All dimensions are in inches

Note: When ordering a 6606 tapping sleeve, price is determined by the flange size and not by working range.
The working range is only a guideline, other ranges can be fabricated.

ROBAR INDUSTRIES LTD.
BC Phone (604) 591-8811 / 1-800-663-6553
 Fax (604) 591-5288
 Email waterworks@robarindustries.com

LES PRODUITS INDUSTRIELS ROBAR INC.
QUEBEC Phone (450) 441-7525 / 1-800-315-9525
 Fax (450) 441-4894
 Web www.Robarindustries.com

6606 BOLT BRACKET TAPPING SLEEVES

STAINLESS STEEL PRICE INFORMATION

Nominal Pipe Size	By x	Outlet Size	LIST PRICE	Fitting Length	Number of Bolts	Working Range	
						LOW	HIGH
6"	x	4	\$ 1,545.04	12	8	6.40	6.80
						6.80	7.20
						7.20	7.60
6"	x	6	\$ 2,070.77	16	10	6.75	7.00
						6.85	7.10
						7.00	7.25
						7.25	7.50
						8.40	8.80
8"	x	3	\$ 1,721.00	12	8	8.80	9.20
		4	\$ 1,721.00	12	8	9.20	9.60
		6	\$ 2,053.95	16	10	8.95	9.20
8"	x	8	\$ 2,882.45	20	12	9.25	9.50
						10.55	10.95
10"	x	3	\$ 1,655.77	12	8	10.90	11.30
		4	\$ 1,655.77	12	8	11.30	11.70
		6	\$ 2,195.62	16	10	11.90	12.30
		8	\$ 2,837.13	20	14		
		10	\$ 3,589.30	20	14		
12"	x	3	\$ 1,771.40	12	8	12.15	12.55
		4	\$ 1,771.40	12	8	12.55	12.95
		6	\$ 2,345.57	16	10	13.00	13.40
		8	\$ 3,029.91	20	14	13.40	13.80
		10	\$ 3,482.30	20	14	13.80	14.20
		12	\$ 4,819.43	24	16		
14"	x	3	\$ 1,906.36	12	8	15.10	15.50
		4	\$ 1,906.36	12	8	15.50	15.90
		6	\$ 2,508.09	16	10	15.80	16.20
		8	\$ 3,248.72	20	14	16.20	16.60
		10	\$ 3,751.20	20	14		
		12	\$ 5,152.48	24	16		

All dimensions are in inches

Continued...

Note: Size on size for IPS OD is not available.

When ordering a 6606BB tapping sleeve, price is determined by the flange size and not by working range.

The working range is only a guideline, other ranges can be fabricated.

ROBAR INDUSTRIES LTD.

BC Phone (604) 591-8811 / 1-800-663-6553
 Fax (604) 591-5288
 Email waterworks@robarindustries.com

LES PRODUITS INDUSTRIELS ROBAR INC.

QUEBEC Phone (450) 441-7525 / 1-800-315-9525
 Fax (450) 441-4894
 Web www.Robarindustries.com



6606 BOLT BRACKET TAPPING SLEEVES

STAINLESS STEEL
PRICE INFORMATION

Nominal Pipe Size	By x	Outlet Size	LIST PRICE	Fitting Length	Number of Bolts	Working Range	
						LOW	HIGH
16"	x	3	\$ 1,992.03	12	8	17.20	17.60
		4	\$ 1,992.03	12	8	17.40	17.80
		6	\$ 2,615.17	16	10	17.80	18.20
		8	\$ 3,387.96	20	14	18.40	18.80
		10	\$ 3,862.50	20	14	18.80	19.20
		12	\$ 5,349.55	24	16		
18"	x	3	\$ 2,323.93	12	12	19.30	19.70
		4	\$ 2,323.93	12	12	19.80	20.20
		6	\$ 2,800.94	16	15	20.20	20.60
		8	\$ 3,520.16	20	21		
		10	\$ 4,098.60	20	21		
		12	\$ 5,398.82	24	24		
20"	x	3	\$ 2,365.73	12	12	21.40	21.80
		4	\$ 2,365.73	12	12	22.00	22.40
		6	\$ 2,855.50	16	15	22.60	23.00
		8	\$ 3,587.42	20	21		
		10	\$ 4,240.57	20	21		
		12	\$ 5,570.74	24	24		
24"	x	3	\$ 2,575.37	12	12	23.20	23.60
		4	\$ 2,575.37	12	12	23.80	24.20
		6	\$ 3,314.98	16	15	25.60	26.00
		8	\$ 4,166.47	20	21		
		10	\$ 4,422.95	20	21		
		12	\$ 5,955.83	24	24		

All dimensions are in inches

Note: When ordering a 6606BB tapping sleeve, price is determined by the flange size and not by working range.

The working range is only a guideline, other ranges can be fabricated.

ROBAR INDUSTRIES LTD.

BC Phone (604) 591-8811 / 1-800-663-6553
 Fax (604) 591-5288
 Email waterworks@robarindustries.com

LES PRODUITS INDUSTRIELS ROBAR INC.

QUEBEC Phone (450) 441-7525 / 1-800-315-9525
 Fax (450) 441-4894
 Web www.Robarindustries.com



Stainless Steel MJ Tapping Sleeves

6606MJ, 6606MJBB, 6606CSMJ, 6606CSMJBB

PRICE INFORMATION

Nominal Pipe Size	By x	Outlet Size	LIST PRICE				Fitting Length	Number of Bolts	Working Range	
			6606 MJ	6606 CSMJ	6606 MJBB	6606 CSMJBB			LOW	HIGH
6"	x	3	\$1,470.20	\$1,071.62	\$1,764.25	\$ 1,365.64	12	8	6.40	6.80
		4	\$1,470.20	\$1,071.62	\$1,764.25	\$ 1,365.64	12	8	6.80	7.20
6"	x	6	\$1,878.58	\$1,430.99	\$2,239.56	\$ 1,790.38	16	10	7.20	7.60
									6.75	7.00
									6.85	7.10
8"	x	3	\$1,486.54	\$1,105.91	\$1,943.94	\$ 1,399.95	12	8	7.00	7.25
		4	\$1,486.54	\$1,105.91	\$1,943.94	\$ 1,399.95	12	8	7.25	7.50
		6	\$1,960.27	\$1,478.37	\$2,478.09	\$ 1,832.86	16	10	8.40	8.80
8"	x	8	\$2,646.35	\$1,956.99	\$3,054.74	\$ 2,367.02	20	12	8.80	9.20
									9.20	9.60
10"	x	3	\$1,527.36	\$1,143.48	\$1,862.26	\$ 1,430.99	12	8	9.20	9.60
		4	\$1,527.36	\$1,143.48	\$1,862.26	\$ 1,430.99	12	8	8.95	9.20
		6	\$2,022.35	\$1,525.73	\$2,520.57	\$ 1,860.63	16	10	9.25	9.50
		8	\$2,744.37	\$2,035.40	\$3,159.28	\$ 2,448.71	20	14	10.55	10.95
		10	\$3,120.09	\$2,156.28	\$3,641.19	\$ 2,677.40	20	14	10.90	11.30
12"	x	3	\$1,600.88	\$1,185.96	\$1,943.94	\$ 1,470.20	12	8	11.30	11.70
		4	\$1,600.88	\$1,185.96	\$1,943.94	\$ 1,470.20	12	8	11.90	12.30
		6	\$2,082.79	\$1,589.45	\$2,590.80	\$ 2,015.80	16	10	12.15	12.55
		8	\$2,785.22	\$2,081.14	\$3,218.09	\$ 2,512.42	20	14	12.55	12.95
		10	\$3,234.44	\$2,221.63	\$3,716.34	\$ 2,701.88	20	14	13.00	13.40
		12	\$4,410.59	\$2,858.71	\$4,992.14	\$ 3,440.26	24	16	13.40	13.80
14"	x	3	\$1,756.07	\$1,295.41	\$2,107.29	\$ 1,579.65	12	8	13.80	14.20
		4	\$1,756.07	\$1,295.41	\$2,107.29	\$ 1,579.65	12	8	15.10	15.50
		6	\$2,254.31	\$1,754.45	\$2,760.70	\$ 2,144.86	16	10	15.50	15.90
		8	\$3,022.08	\$2,295.15	\$3,468.03	\$ 2,739.47	20	14	15.80	16.20
		10	\$3,401.07	\$2,399.68	\$3,928.70	\$ 2,927.33	20	14	16.20	16.60
		12	\$4,709.53	\$3,072.72	\$5,327.01	\$ 3,688.57	24	16		

All dimensions are in inches

Continued...

Note: Size on size for IPS OD is not available.
 When ordering a 6606 tapping sleeve, price is determined by the flange size and not by working range.
 The working range is only a guideline, other ranges can be fabricated.

ROBAR INDUSTRIES LTD.

BC Phone (604) 591-8811 / 1-800-663-6553
 Fax (604) 591-5288
 Email waterworks@robarindustries.com

LES PRODUITS INDUSTRIELS ROBAR INC.

QUEBEC Phone: (450) 441-7525/1-800-315-9525
 Fax: (450) 441-4894
 Web: www.Robarindustries.com



Stainless Steel MJ Tapping Sleeves

6606MJ, 6606MJBB, 6606CSMJ, 6606CSMJBB

Price Information

Nominal Pipe Size	By x	Outlet Size	LIST PRICE				Fitting Length	Number of Bolts	Working Range	
			6606 MJ	6606 CSMJ	6606 MJBB	6606 CSMJBB			LOW	HIGH
16"	x	3	\$1,816.51	\$1,339.51	\$2,172.63	\$1,613.96	12	8	17.20	17.60
		4	\$1,816.51	\$1,339.51	\$2,172.63	\$1,613.96	12	8	17.40	17.80
		6	\$2,352.33	\$1,818.15	\$2,860.36	\$2,226.55	16	10	17.80	18.20
		8	\$3,103.75	\$2,383.35	\$3,557.88	\$2,835.84	20	14	18.40	18.80
		10	\$3,528.47	\$2,487.90	\$4,041.41	\$2,999.20	20	14	18.80	19.20
		12	\$4,848.39	\$3,147.86	\$5,518.14	\$3,719.60	24	16		
18"	x	3	\$2,009.28	\$1,538.81	\$2,574.47	\$2,102.38	12	12	19.30	19.70
		4	\$2,009.28	\$1,538.81	\$2,574.47	\$2,102.38	12	12	19.80	20.20
		6	\$2,572.85	\$2,082.79	\$3,108.64	\$2,741.10	16	15	20.20	20.60
		8	\$3,397.80	\$2,721.51	\$3,786.57	\$3,538.27	20	21		
		10	\$3,798.02	\$2,830.95	\$4,361.57	\$3,644.46	20	21		
		12	\$4,998.66	\$3,567.68	\$5,573.68	\$4,510.24	24	24		
20"	x	3	\$2,066.44	\$1,578.01	\$2,633.28	\$2,144.86	12	12	21.40	21.80
		4	\$2,066.44	\$1,578.01	\$2,633.28	\$2,144.86	12	12	22.00	22.40
		6	\$2,654.52	\$2,141.58	\$3,193.61	\$2,799.92	16	15	22.60	23.00
		8	\$3,512.15	\$2,799.92	\$3,902.56	\$3,613.42	20	21		
		10	\$3,920.52	\$2,943.66	\$4,555.99	\$3,755.54	20	21		
		12	\$5,140.79	\$3,703.27	\$5,743.57	\$4,644.19	24	24		
24"	x	3	\$2,246.14	\$1,703.80	\$2,819.51	\$2,275.53	12	12	23.20	23.60
		4	\$2,246.14	\$1,703.80	\$2,819.51	\$2,275.53	12	12	23.80	24.20
		6	\$2,858.71	\$2,327.82	\$3,593.81	\$3,061.28	16	15	25.60	26.00
		8	\$3,757.17	\$3,028.60	\$4,397.52	\$3,838.84	20	21		
		10	\$4,157.38	\$3,133.16	\$4,624.59	\$3,941.77	20	21		
		12	\$5,425.05	\$3,930.33	\$6,125.83	\$4,867.99	24	24		

All dimensions are in inches

Note: When ordering a 6606 tapping sleeve, price is determined by the flange size and not by working range.
The working range is only a guideline, other ranges can be fabricated.

ROBAR INDUSTRIES LTD.
 BC Phone (604) 591-8811 / 1-800-663-6553
 Fax (604) 591-5288
 Email waterworks@robarindustries.com

LES PRODUITS INDUSTRIELS ROBAR INC.
 QUEBEC Phone: (450) 441-7525/1-800-315-9525
 Fax: (450) 441-4894
 Web: www.Robarindustries.com



6606CSF TAPPING SLEEVES

STAINLESS STEEL BODY WITH MILD STEEL FLANGE
PRICE INFORMATION

Nominal Pipe Size	By x	Outlet Size	Lifter Bar List Price	Bolt Bracket List Price	Fitting Length	Number of Bolts	Working Range	
							LOW	HIGH
6"	x	3	\$ 1,007.87	\$ 1,203.97	12	8	6.40	6.80
		4	\$ 1,007.87	\$ 1,203.97	12	8	6.80	7.20
6"	x	6	\$ 1,336.64	\$ 1,625.11	16	10	7.20	7.60
							6.75	7.00
							6.85	7.10
							7.00	7.25
8"	x	3	\$ 1,038.35	\$ 1,234.41	12	8	7.25	7.50
		4	\$ 1,038.35	\$ 1,234.41	12	8	8.40	8.80
		6	\$ 1,381.79	\$ 1,670.26	16	10	8.80	9.20
8"	x	8	\$ 1,828.02	\$ 2,175.05	20	12	9.20	9.60
							8.95	9.20
10"	x	3	\$ 1,068.03	\$ 1,264.13	12	8	9.25	9.50
		4	\$ 1,068.03	\$ 1,264.13	12	8	10.55	10.95
		6	\$ 1,425.78	\$ 1,714.25	16	10	10.90	11.30
		8	\$ 1,900.91	\$ 2,247.93	20	12	11.30	11.70
		10	\$ 1,998.74	\$ 2,345.76	20	12	11.90	12.30
12"	x	3	\$ 1,108.21	\$ 1,304.29	12	8	12.15	12.55
		4	\$ 1,108.21	\$ 1,304.29	12	8	12.55	12.95
		6	\$ 1,485.34	\$ 1,773.83	16	10	13.00	13.40
		8	\$ 1,944.77	\$ 2,291.79	20	12	13.40	13.80
		10	\$ 2,076.06	\$ 2,423.09	20	12	13.80	14.20
		12	\$ 2,671.58	\$ 3,077.14	24	16		
14"	x	3	\$ 1,209.84	\$ 1,405.93	12	8	15.10	15.50
		4	\$ 1,209.84	\$ 1,405.93	12	8	15.50	15.90
		6	\$ 1,638.44	\$ 1,926.91	16	10	15.80	16.20
		8	\$ 2,143.76	\$ 2,490.79	20	12	16.20	16.60
		10	\$ 2,241.58	\$ 2,588.61	20	12		
		12	\$ 2,870.24	\$ 3,275.80	24	16		

All dimensions are in inches

Continued...

Note: Size on size for IPS OD is not available.
When ordering a 6606 tapping sleeve, price is determined by the flange size and not by working range.
The working range is only a guideline, other ranges can be fabricated.

ROBAR INDUSTRIES LTD.

BC Phone (604) 591-8811 / 1-800-663-6553
Fax (604) 591-5288
Email waterworks@robarindustries.com

LES PRODUITS INDUSTRIELS ROBAR INC

QUEBEC Phone (450) 441-7525/1-800-315-9525
Fax (450) 441-4894
Web www.Robarindustries.com



6606CSF TAPPING SLEEVES

STAINLESS STEEL BODY WITH MILD STEEL FLANGE

Price Information

Nominal Pipe Size	By x	Outlet Size	Lifter Bar List Price	Bolt Bracket List Price	Fitting Length	Number of Bolts	Working Range	
							LOW	HIGH
16"	x	3	\$ 1,251.86	\$ 1,447.94	12	8	17.20	17.60
		4	\$ 1,251.86	\$ 1,447.94	12	8	17.40	17.80
		6	\$ 1,698.13	\$ 1,986.59	16	10	17.80	18.20
		8	\$ 2,226.72	\$ 2,573.75	20	12	18.40	18.80
		10	\$ 2,324.55	\$ 2,671.58	20	12	18.80	19.20
		12	\$ 2,941.91	\$ 3,347.46	24	16		
18"	x	3	\$ 1,436.99	\$ 1,892.30	12	12	19.30	19.70
		4	\$ 1,436.99	\$ 1,892.30	12	12	19.80	20.20
		6	\$ 1,945.89	\$ 2,610.17	16	15	20.20	20.60
		8	\$ 2,542.96	\$ 3,368.58	20	21		
		10	\$ 2,644.26	\$ 3,469.88	20	21		
		12	\$ 3,332.98	\$ 4,295.20	24	24		
20"	x	3	\$ 1,474.53	\$ 1,929.81	12	12	21.40	21.80
		4	\$ 1,474.53	\$ 1,929.81	12	12	22.00	22.40
		6	\$ 2,001.45	\$ 2,665.73	16	15	22.60	23.00
		8	\$ 2,615.26	\$ 3,440.87	20	21		
		10	\$ 2,750.04	\$ 3,575.68	20	21		
		12	\$ 3,460.12	\$ 4,422.34	24	24		
24"	x	3	\$ 1,590.90	\$ 2,046.19	12	12	23.20	23.60
		4	\$ 1,590.90	\$ 2,046.19	12	12	23.80	24.20
		6	\$ 2,174.03	\$ 2,838.31	16	15	25.60	26.00
		8	\$ 2,829.19	\$ 3,654.82	20	21		
		10	\$ 2,927.00	\$ 3,752.65	20	21		
		12	\$ 3,672.66	\$ 4,634.87	24	24		

All dimensions are in inches

Note: When ordering a 6606 tapping sleeve, price is determined by the flange size and not by working range.
The working range is only a guideline, other ranges can be fabricated.

ROBAR INDUSTRIES LTD.

BC Phone (604) 591-8811 / 1-800-663-6553
 Fax (604) 591-5288
 Email waterworks@robarindustries.com

LES PRODUITS INDUSTRIELS ROBAR INC.

QUEBEC Phone (450) 441-7525 / 1-800-315-9525
 Fax (450) 441-4894
 Web www.Robarindustries.com



6626 OUTLET SLEEVES

STAINLESS STEEL PRICE INFORMATION

Nominal Pipe Size	By x	Outlet Size	LIST PRICE	Fitting Length	Number of Bolts	Working Range	
						LOW	HIGH
4"	x	3	\$ 1,144.35	12	8	4.70	4.95
		4	\$ 1,144.35	12	8	4.95	5.20
6"	x	3	\$ 1,144.35	12	8	6.40	6.80
		4	\$ 1,144.35	12	8	6.80	7.20
6"	x	6	\$ 1,590.87	16	10	7.20	7.60
						6.75	7.00
8"	x	3	\$ 1,156.61	12	8	6.85	7.10
		4	\$ 1,156.61	12	8	7.00	7.25
		6	\$ 1,526.55	16	10	7.25	7.50
8"	x	8	\$ 2,033.16	20	12	8.40	8.80
						8.80	9.20
10"	x	3	\$ 1,212.27	12	8	9.20	9.60
		4	\$ 1,212.27	12	8	8.95	9.20
		6	\$ 1,600.83	16	10	9.25	9.50
		8	\$ 1,968.06	20	12	10.55	10.95
		10	\$ 2,585.56	20	12	10.90	11.30
12"	x	3	\$ 1,317.10	12	8	11.30	11.70
		4	\$ 1,317.10	12	8	11.90	12.30
		6	\$ 1,740.60	16	10	12.15	12.55
		8	\$ 2,142.70	20	12	12.55	12.95
		10	\$ 2,520.74	20	12	13.00	13.40
		12	\$ 3,434.42	24	16	13.40	13.80
14"	x	3	\$ 1,440.60	12	8	13.80	14.20
		4	\$ 1,440.60	12	8	15.10	15.50
		6	\$ 1,905.29	16	10	15.50	15.90
		8	\$ 2,348.57	20	12	15.80	16.20
		10	\$ 2,726.60	20	12	16.20	16.60
		12	\$ 3,370.96	24	16		

All dimensions are in inches
Continued...

Note: Size on size for IPS OD is not available.
When ordering a 6606 tapping sleeve, price is determined by the flange size and not by working range.
The working range is only a guideline, other ranges can be fabricated.

ROBAR INDUSTRIES LTD.
BC Phone (604) 591-8811 / 1-800-663-6553
Fax (604) 591-5288
Email waterworks@robarindustries.com

LES PRODUITS INDUSTRIELS ROBAR INC.
QUEBEC Phone (450) 441-7525 / 1-800-315-9525
Fax (450) 441-4894
Web www.Robarindustries.com



6626 OUTLET SLEEVES

STAINLESS STEEL
PRICE INFORMATION

Nominal Pipe Size	By x	Outlet Size	LIST PRICE	Fitting Length	Number of Bolts	Working Range	
						LOW	HIGH
16"	x	3	\$ 1,546.85	12	8	17.20	17.60
		4	\$ 1,546.85	12	8	17.40	17.80
		6	\$ 2,046.74	16	10	17.80	18.20
		8	\$ 2,524.79	20	12	18.40	18.80
		10	\$ 2,910.24	20	12	18.80	19.20
		12	\$ 3,592.45	24	16		
18"	x	3	\$ 1,667.49	12	12	19.30	19.70
		4	\$ 1,667.49	12	12	19.80	20.20
		6	\$ 2,207.56	16	15	20.20	20.60
		8	\$ 2,725.82	20	18		
		10	\$ 3,110.72	20	18		
		12	\$ 3,833.66	24	24		
20"	x	3	\$ 1,707.13	12	12	21.40	21.80
		4	\$ 1,707.13	12	12	22.00	22.40
		6	\$ 2,260.34	16	15	22.60	23.00
		8	\$ 2,791.79	20	18		
		10	\$ 3,176.69	20	18		
		12	\$ 3,912.89	24	24		
24"	x	3	\$ 1,907.82	12	12	23.20	23.60
		4	\$ 1,907.82	12	12	23.80	24.20
		6	\$ 2,528.00	16	16	25.60	26.00
		8	\$ 3,126.36	20	18		
		10	\$ 3,511.29	20	18		
		12	\$ 4,314.33	24	24		

All dimensions are in inches

Note: When ordering a 6606 tapping sleeve, price is determined by the flange size and not by working range.
The working range is only a guideline, other ranges can be fabricated.

ROBAR INDUSTRIES LTD.

BC Phone (604) 591-8811 / 1-800-663-6553
Fax (604) 591-5288
Email waterworks@robarindustries.com

LES PRODUITS INDUSTRIELS ROBAR INC.

QUEBEC Phone (450) 441-7525 / 1-800-315-9525
Fax (450) 441-4894
Web www.Robarindustries.com



6636 ABANDON SERVICE SLEEVE

STAINLESS STEEL PRICE INFORMATION

ABANDON SLEEVE with 3" End Cap - 12" wide LIST PRICE

Nominal Size	Outlet Size	Bolt Bracket	Finger Closure
4"	3"	\$ 1,068.33	\$ 873.95
6"		\$ 1,108.29	\$ 901.49
8"		\$ 1,150.04	\$ 930.98
10"		\$ 1,185.80	\$ 959.37
12"		\$ 1,245.83	\$ 1,082.33
14"		\$ 1,376.69	\$ 1,190.01
16"		\$ 1,424.66	\$ 1,233.53
18"		\$ 1,845.68	\$ 1,449.59
20"		\$ 1,882.41	\$ 1,490.41
22"		\$ 1,961.14	\$ 1,539.58
24"		\$ 2,064.27	\$ 1,615.95

Notes:

3" end cap used to seal off a 3/4" or 1" main stop

4" end cap used to seal off a 1-1/2" or 2" main stop

ABANDON SLEEVE with 3" End Cap - 8" wide LIST PRICE

Nominal Size	Outlet Size	Bolt Bracket	Finger Closure
4"	3"	\$ 990.36	\$ 810.15
6"		\$ 1,027.39	\$ 835.68
8"		\$ 1,066.10	\$ 863.04
10"		\$ 1,099.21	\$ 889.33
12"		\$ 1,154.90	\$ 1,003.34
14"		\$ 1,276.20	\$ 1,103.16
16"		\$ 1,320.66	\$ 1,143.47
18"		\$ 1,710.93	\$ 1,343.76
20"		\$ 1,744.98	\$ 1,381.62
22"		\$ 1,817.97	\$ 1,427.21
24"		\$ 1,913.57	\$ 1,497.98

ABANDON SLEEVE with 4" End Cap - 12" wide LIST PRICE

Nominal Size	Outlet Size	Bolt Bracket	Finger Closure
6"	4"	\$ 1,255.70	\$ 1,009.96
8"		\$ 1,279.31	\$ 1,035.64
10"		\$ 1,306.85	\$ 1,067.22
12"		\$ 1,373.03	\$ 1,203.97
14"		\$ 1,517.24	\$ 1,311.50
16"		\$ 1,555.44	\$ 1,359.49
18"		\$ 1,962.43	\$ 1,597.56
20"		\$ 2,035.82	\$ 1,642.60
22"		\$ 2,120.96	\$ 1,680.90
24"		\$ 2,232.52	\$ 1,764.30

ROBAR INDUSTRIES LTD.

BC Phone (604) 591-8811 / 1-800-663-6553
Fax (604) 591-5288
Email waterworks@robarindustries.com

LES PRODUITS INDUSTRIELS ROBAR INC.

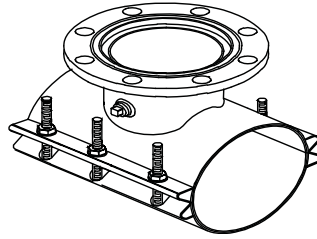
QUEBEC Phone (450) 441-7525 / 1-800-315-9525
Fax (450) 441-4894
Web www.Robarindustries.com



MILD STEEL TAPPING SLEEVES

6908 & 6906

PRICE INFORMATION



Nominal Pipe Size	By x	Outlet Size	LIST PRICE		Working Range	
			PRICE 6908	PRICE 6906	LOW	HIGH
6"	x	3	\$ 1,096.64	\$ 1,252.38	6.90	7.20
		4	\$ 1,096.64	\$ 1,252.38		
		6	\$ 1,184.26	\$ 1,315.41		
8"	x	3	\$ 1,143.56	\$ 1,260.35	8.50	8.90
		4	\$ 1,143.56	\$ 1,260.35	8.90	9.30
		6	\$ 1,252.07	\$ 1,352.60	9.30	9.70
		8	\$ 1,725.03	\$ 1,895.45		
10"	x	3	\$ 1,192.00	\$ 1,338.38	9.70	10.10
		4	\$ 1,192.00	\$ 1,338.38	10.10	10.50
		6	\$ 1,302.48	\$ 1,452.27	10.50	10.90
		8	\$ 1,792.85	\$ 2,008.60	10.90	11.30
		10	\$ 2,232.85	\$ 2,524.18	11.30	11.70
						11.70
12"	x	3	\$ 1,327.68	\$ 1,457.22	12.10	12.50
		4	\$ 1,327.68	\$ 1,457.22	12.50	12.90
		6	\$ 1,438.16	\$ 1,567.34	12.90	13.30
		8	\$ 1,945.98	\$ 2,143.17	13.30	13.60
		10	\$ 2,401.47	\$ 2,694.13		
		12	\$ 2,874.39	\$ 3,141.10		
14"	x	3	\$ 1,395.52	\$ 1,578.10	13.60	14.05
		4	\$ 1,395.52	\$ 1,578.10	14.05	14.50
		6	\$ 1,538.94	\$ 1,740.36	14.50	14.95
		8	\$ 2,106.87	\$ 2,342.74	14.95	15.40
		10	\$ 2,570.10	\$ 2,882.91	15.30	15.75
		12	\$ 3,044.97	\$ 3,351.92		

All dimensions are in inches

Continued...

Note: Size on size for IPS OD is not available.

When ordering a Mild Steel tapping sleeves, price is determined by the flange size and not by working range.

The working range is only a guideline, other ranges can be fabricated.

ROBAR INDUSTRIES LTD.

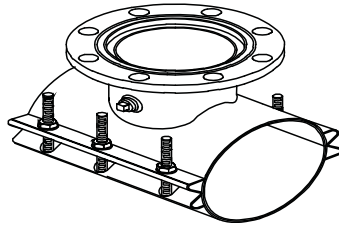
BC Phone (604) 591-8811 / 1-800-663-6553
 Fax (604) 591-5288
 Email waterworks@robarindustries.com

LES PRODUITS INDUSTRIELS ROBAR INC.

QUEBEC Phone (450) 441-7525 / 1-800-315-9525
 Fax (450) 441-4894
 Web www.Robarindustries.com

MILD STEEL TAPPING SLEEVES

6908 & 6906
PRICE INFORMATION



Nominal Pipe Size	By x	Outlet Size	LIST PRICE		Working Range	
			Price 6908	PRICE 6906	LOW	HIGH
16"	x	3	\$ 1,471.12	\$ 1,677.18	15.75	16.15
		4	\$ 1,471.12	\$ 1,677.18	16.15	16.60
		6	\$ 1,624.25	\$ 1,855.61	16.60	17.05
		8	\$ 2,197.97	\$ 2,477.46	17.05	17.50
		10	\$ 2,705.78	\$ 3,024.96	17.40	17.85
		12	\$ 3,170.95	\$ 3,496.80		
18"	x	3	\$ 1,533.14	\$ 1,742.04	17.85	18.30
		4	\$ 1,533.14	\$ 1,742.04	18.30	18.75
		6	\$ 1,709.53	\$ 1,936.49	18.75	19.20
		8	\$ 2,300.69	\$ 2,578.45	19.20	19.65
		10	\$ 2,808.50	\$ 3,139.27	19.50	19.95
		12	\$ 3,331.84	\$ 3,608.23		
20"	x	3	\$ 1,602.92	\$ 1,860.99	19.90	20.40
		4	\$ 1,602.92	\$ 1,860.99	20.40	20.90
		6	\$ 1,792.85	\$ 2,079.80	20.90	21.40
		8	\$ 2,401.47	\$ 2,752.68	21.40	21.90
		10	\$ 3,010.08	\$ 3,309.47	21.90	22.15
		12	\$ 3,483.01	\$ 3,778.61	22.15	22.70
					22.70	23.25
24"	x	3	\$ 1,734.71	\$ 2,033.60	23.60	24.15
		4	\$ 1,734.71	\$ 2,033.60	24.15	24.70
		6	\$ 1,928.54	\$ 2,310.98	24.70	25.25
		8	\$ 2,550.71	\$ 2,939.54	25.25	25.80
		10	\$ 3,196.16	\$ 3,550.90	25.60	26.00
		12	\$ 3,703.96	\$ 4,019.88		

All Dimensions are in inches

Note: When ordering a Mild Steel tapping sleeve, price is determined by the flange size and not by working range.
The working range is only a guideline, other ranges can be fabricated.

ROBAR INDUSTRIES LTD.

BC Phone (604) 591-8811 / 1-800-663-6553
Fax (604) 591-5288
Email waterworks@robarindustries.com

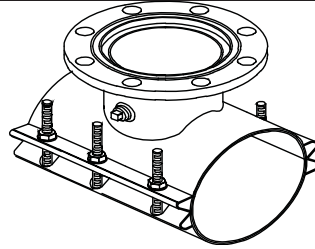
LES PRODUITS INDUSTRIELS ROBAR INC.

QUEBEC Phone (450) 441-7525 / 1-800-315-9525
Fax (450) 441-4894
Web www.Robarindustries.com



Carbon Steel MJ Tapping Sleeve

6908 & 6906
PRICE INFORMATION



Nominal Pipe Size	By x	Outlet Size	LIST PRICE		Working Range		
			PRICE 6908MJ	PRICE 6906MJ	LOW	HIGH	
6"	x	4	\$ 1,237.90	\$ 1,347.49	6.90	7.20	
		6	\$ 1,432.89	\$ 1,526.82			
8"	x	4	\$ 1,253.81	\$ 1,370.59	8.50	8.90	
		6	\$ 1,464.97	\$ 1,565.49	8.90	9.30	
		8	\$ 1,803.26	\$ 1,973.67	9.30	9.70	
10"	x	4	\$ 1,316.34	\$ 1,519.07	9.70	10.10	
		6	\$ 1,510.81	\$ 1,597.96	10.10	10.50	
		8	\$ 1,851.10	\$ 2,066.83	10.50	10.90	
		10	\$ 2,284.67	\$ 2,576.01	10.90	11.30	
						11.30	11.70
						11.70	12.10
12"	x	4	\$ 1,386.91	\$ 1,613.49	12.10	12.50	
		6	\$ 1,576.95	\$ 1,707.16	12.50	12.90	
		8	\$ 1,980.01	\$ 2,177.20	12.90	13.30	
		10	\$ 2,432.07	\$ 2,724.74	13.30	13.60	
		12	\$ 2,889.17	\$ 3,155.88			
14"	x	4	\$ 1,463.91	\$ 1,637.10	13.60	14.05	
		6	\$ 1,653.31	\$ 1,854.72	14.05	14.50	
		8	\$ 2,129.03	\$ 2,364.90	14.50	14.95	
		10	\$ 2,584.56	\$ 2,897.36	14.95	15.40	
		12	\$ 3,047.55	\$ 3,354.52	15.30	15.75	

All dimensions are in inches

Continued...

Note: Size on size for IPS OD is not available.

When ordering a Mild Steel tapping sleeves, price is determined by the flange size and not by working range.

The working range is only a guideline, other ranges can be fabricated.

ROBAR INDUSTRIES LTD.

BC Phone (604) 591-8811 / 1-800-663-6553
 Fax (604) 591-5288
 Email waterworks@robarindustries.com

LES PRODUITS INDUSTRIELS ROBAR INC.

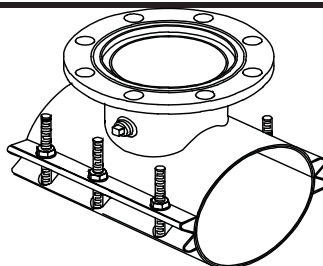
QUEBEC Phone (450) 441-7525 / 1-800-315-9525
 Fax (450) 441-4894
 Web www.Robarindustries.com



Carbon Steel MJ Tapping Sleeve

6908 & 6906

PRICE INFORMATION



Nominal Pipe Size	By x	Outlet Size	LIST PRICE		Working Range	
			PRICE 6908MJ	PRICE 6906MJ	LOW	HIGH
16"	x	4	\$ 1,550.01	\$ 1,691.52	15.75	16.15
		6	\$ 1,721.39	\$ 1,905.79	16.15	16.60
		8	\$ 2,213.84	\$ 2,493.35	16.60	17.05
		10	\$ 2,717.85	\$ 3,037.05	17.05	17.50
		12	\$ 3,169.09	\$ 3,494.96	17.40	17.85
18"	x	4	\$ 1,643.85	\$ 1,754.13	17.85	18.30
		6	\$ 1,816.77	\$ 1,981.13	18.30	18.75
		8	\$ 2,306.54	\$ 2,584.30	18.75	19.20
		10	\$ 2,809.19	\$ 3,139.98	19.20	19.65
		12	\$ 3,321.90	\$ 3,598.32	19.50	19.95
20"	x	4	\$ 1,738.93	\$ 1,868.80	19.90	20.40
		6	\$ 1,894.59	\$ 2,067.23	20.40	20.90
		8	\$ 2,400.52	\$ 2,751.74	20.90	21.40
		10	\$ 3,001.18	\$ 3,300.58	21.40	21.90
		12	\$ 3,465.63	\$ 3,761.26	21.90	22.15
						22.15
24"	x	4	\$ 1,832.91	\$ 2,034.73	22.70	23.25
		6	\$ 2,019.81	\$ 2,294.23	23.60	24.15
		8	\$ 2,540.82	\$ 2,929.66	24.15	24.70
		10	\$ 3,181.28	\$ 3,536.04	24.70	25.25
		12	\$ 3,682.77	\$ 3,998.73	25.25	25.80
						25.60

All Dimensions are in inches

Note: When ordering a Mild Steel tapping sleeve, price is determined by the flange size and not by working range.
The working range is only a guideline, other ranges can be fabricated.

ROBAR INDUSTRIES LTD.

BC Phone (604) 591-8811 / 1-800-663-6553
 Fax (604) 591-5288
 Email waterworks@robarindustries.com

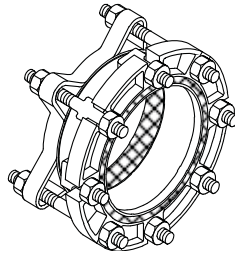
LES PRODUITS INDUSTRIELS ROBAR INC.

QUEBEC Phone (450) 441-7525 / 1-800-315-9525
 Fax (450) 441-4894
 Web www.Robarindustries.com



7508/7506 FLANGE COUPLING ADAPTER

CAST DUCTILE IRON
PRICE INFORMATION



Nominal Pipe Size	Working Range			End Code	List Price					
	Low	Pipe OD Actual	High		Body	End Rings	Gaskets	O-Ring Gasket	Complete 7508 FCA	Complete 7506 FCA
4"	3.45	3.50	3.60	4T	\$149.84	\$ 35.77	\$11.85	\$ 7.77	\$ 337.26	\$ 538.30
	3.75		4.05	F3A						
	4.05		4.35	F3B						
	4.40	4.50	4.60	D3						
	4.74	4.80	5.10	A1						
	5.10		5.30	E5						
6"	5.85		6.15	F3A	\$165.34	\$ 64.00	\$14.41	\$10.32	\$ 463.21	\$ 748.30
	6.15		6.45	F3B						
	6.50	6.63	6.70	D3						
	6.86	6.90	7.10	A1						
	7.15		7.35	E5						
8"	7.90		8.25	F3A	\$235.81	\$ 86.44	\$22.09	\$12.96	\$ 542.80	\$ 854.49
	8.25		8.55	F3B						
	8.55	8.63	8.75	D3						
	8.99	9.05	9.30	A1						
	9.30		9.50	E5						
10"	10.60	10.75	10.90	10T	\$338.12	\$122.52	\$30.06	\$15.56	\$ 825.00	\$1,447.31
	11.10	11.10	11.40	B2						
	11.55		11.75	A1						
	11.90		12.10	E5						
12"	12.60	12.75	12.90	12T	\$423.20	\$165.69	\$43.40	\$17.94	\$ 943.25	\$1,595.95
	13.20	13.20	13.50	B2						
	13.80	14.00	14.10	A1						
	14.10		14.35	E5						

All dimensions are in inches

ROBAR INDUSTRIES LTD.

BC Phone (604) 591-8811 / 1-800-663-6553
 Fax (604) 591-5288
 Email waterworks@robarindustries.com

LES PRODUITS INDUSTRIELS ROBAR INC.

QUEBEC Phone (450) 441-7525 / 1-800-315-9525
 Fax (450) 441-4894
 Web www.Robarindustries.com

Dismantling Joints

7508DJ/7506DJ

PRICE INFORMATION

Nom Size	Weight Lbs	LIST PRICE		
		7508DJ Epoxy coated MS bolts	7506DJ Epoxy Coated SS bolts	Add-On For SS B8 Tie Rods
4"	26.0	\$ 590.23	\$ 672.00	\$ 144.90
6"	39.0	\$ 772.36	\$ 981.06	\$ 170.10
8"	52.0	\$ 1,017.27	\$ 1,237.15	\$ 170.10
10"	83.0	\$ 1,472.55	\$ 2,208.38	\$ 333.90
12"	107.0	\$ 1,925.71	\$ 2,614.71	\$ 333.90

Notes: Torque to 70-80 ft-lbs.

Flange body is cast ductile iron per ASTM A536-05, class D - 150 PSI WP rating.

Dismantling Joints are not to be used in place of Expansion Joints.

Mount Flanges prior to tightening end ring.

Tie Rods are ASTM A193 B7 material.

Stainless Steel tie rods are available per ASTM A193 B8/B8M class 2 upon request.

ROBAR INDUSTRIES LTD.

BC Phone (604) 591-8811 / 1-800-663-6553

Fax (604) 591-5288

Email: waterworks@robarindustries.com

LES PRODUITS INDUSTRIELS ROBAR INC.

QUEBEC Phone (450) 441-7525 / 1-800-315-9525

Fax (450) 441-4894

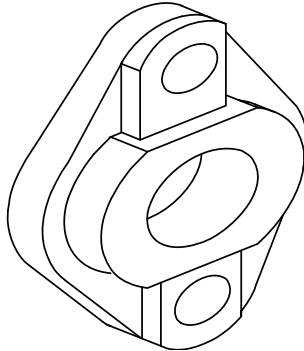
Web www.Robarindustries.com



9440/9470 METER FLANGE

CAST DUCTILE IRON

PRICE INFORMATION



SIZES AVAILABLE:

1-1/2" and 2" Nominal

USE:

ROBAR 9440/9540 and **9470** Meter Coupling Flanges are used for drilling and tapping to NPT standards to mate with flanged water meters.

MATERIAL SPECIFICATIONS:

Body:

9540 - Cast Ductile Iron (ASTM A536)

9470 - 85-5-5 Waterworks Bronze (ASTM B62 and AWWA C-800)

O-Ring

NBR (BUNA N) Rubber, (ASTM A5568)

Coating:

9540 - Corrosion Protective Epoxy Coating

Nominal Size	Product Number	Shipping Weight		LIST PRICE
		(LBS)	(KG)	
1-1/2"	9540	2.25	1.1	\$ 41.79
	9470	2.5	1.2	\$ 74.91
2"	9540	2.75	1.3	\$ 47.23
	9470	3	1.4	\$ 81.55

ROBAR INDUSTRIES LTD.

BC Phone (604) 591-8811 / 1-800-663-6553
Fax (604) 591-5288
Email: waterworks@robarindustries.com

LES PRODUITS INDUSTRIELS ROBAR INC.

QUEBEC Phone (450) 441-7525 / 1-800-315-9525
Fax (450) 441-4894
Web www.Robarindustries.com



9500 F.R.P. BACK-UP FLANGES

Description	Weight	NET PRICE
1" 150#	1.5	\$ 22.12
1-1/2" 150#	1.8	\$ 22.12
2" 150#	2.5	\$ 22.12
2-1/2" 150#	3	\$ 28.78
3" 150#	3.5	\$ 33.22
4" 150#	5.8	\$ 43.17
6" 150#	8	\$ 66.41
8" 150#	11	\$ 86.33
10" 150#	18.5	\$ 143.86
12" 150#	31	\$ 194.75
14" 150#	35	\$ 232.40
16" 150#	48.5	\$ 298.75
18" 150#	54.3	\$ 333.06
20" 150#	61	\$ 410.56
24" 150#	98	\$ 568.74

Note: Rings are Fusion Bonded Epoxy Lined and Coated

ROBAR INDUSTRIES LTD.

BC Phone (604) 591-8811 / 1-800-663-6553
Fax (604) 591-5288
Email: waterworks@robarindustries.com

LES PRODUITS INDUSTRIELS ROBAR INC.

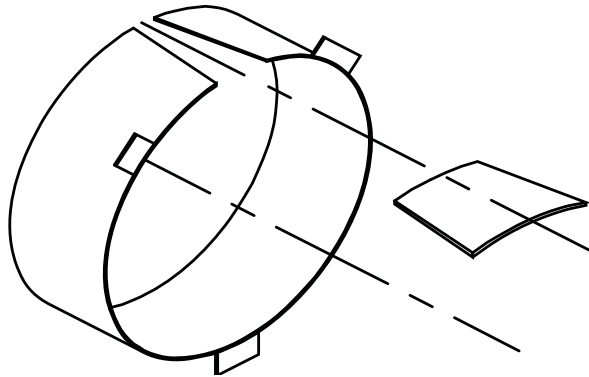
QUEBEC Phone (450) 441-7525 / 1-800-315-9525
Fax (450) 441-4894
Web www.Robarindustries.com



9626 ADJUSTABLE INSERTS

FABRICATED STAINLESS STEEL

PRICE INFORMATION



STANDARD SIZES:
 3" to 24" nominal pipe OD.
 Larger sizes available on request.

USE:
 ROBAR 9626 Adjustable Inserts are for use on thin wall PVC or HDPE, to add hoop strength to pipe when using ROBAR couplings.

Nominal Pipe OD	LIST PRICE		
	Length of Insert		
	6"	8"	12"
3"***	\$ 207.60	\$ 222.17	\$ 310.84
4"***	\$ 207.60	\$ 222.17	\$ 310.84
6"	\$ 216.78	\$ 228.38	\$ 324.05
8"	\$ 224.47	\$ 238.61	\$ 343.97
10"	\$ 235.65	\$ 252.44	\$ 368.11
12"	\$ 250.72	\$ 270.01	\$ 400.43
14"	\$ 260.11	\$ 288.87	\$ 433.27

***FIXED INSERT - NOT ADJUSTABLE

Nominal Pipe OD	LIST PRICE		
	Length of Insert		
	6"	8"	12"
16"	\$ 373.39	\$ 412.73	\$ 609.35
18"	\$ 386.46	\$ 430.14	\$ 651.37
20"	\$ 415.95	\$ 464.02	\$ 722.63
22"	\$ 429.02	\$ 509.10	\$ 763.77
24"	\$ 442.09	\$ 548.38	\$ 822.41

ROBAR INDUSTRIES LTD.

BC Phone (604) 591-8811 / 1-800-663-6553
 Fax (604) 591-5288
 Email: waterworks@robarindustries.com

LES PRODUITS INDUSTRIELS ROBAR INC.

QUEBEC Phone (450) 441-7525 / 1-800-315-9525
 Fax (450) 441-4894
 Web www.Robarindustries.com



Pipe Support Stand

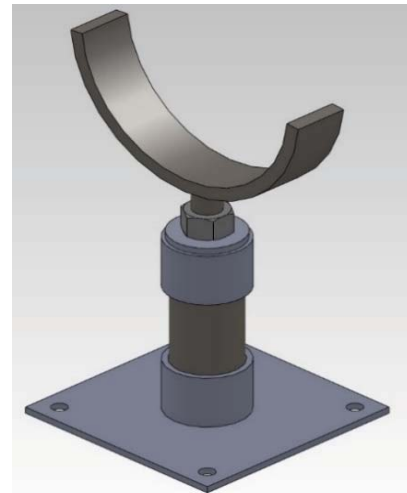
Adjustable Flange Support & Cradle Style

Robar Pipe Support Cradle stand is available 2" through 36"

Description	Weight	LIST PRICE
2"	9	\$ 178.83
2.5"	8	\$ 180.94
3"	8	\$ 181.66
4"	11	\$ 183.42
6"	12	\$ 215.07
8"	13	\$ 220.53
10"	14	\$ 231.99
12"	15	\$ 234.44
14"	32	\$ 536.99
16"	34	\$ 564.50
18"	51	\$ 723.47
20"	55	\$ 761.61
24"	60	\$ 881.22
30"	140	\$ 1,592.54
36"	152	\$ 1,698.46

MATERIAL SPECIFICATIONS:

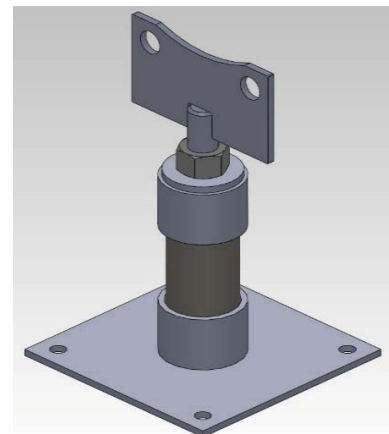
Sleeves: ASTM A53 ERW tubing
 Base Plate: ASTM A36 Steel
 Stud: ASTM A36, rolled thread
 Coating: Hot Dip Galvanized



Note: All saddle straps are formed to ductile iron radius.

Robar Pipe Support Flange stand is available 3" through 24"

Description	Weight	LIST PRICE
3"	7	\$ 169.14
4"	9	\$ 165.63
6"	10	\$ 192.33
8"	11	\$ 193.91
10"	12	\$ 196.21
12"	13	\$ 201.95
14"	22	\$ 367.63
16"	22	\$ 364.73
18"	26	\$ 376.79
20"	27	\$ 373.80
24"	28	\$ 404.57



ROBAR INDUSTRIES LTD.

BC Phone (604) 591-8811 / 1-800-663-6553
 Fax (604) 591-5288
 Email: waterworks@robarindustries.com

LES PRODUITS INDUSTRIELS ROBAR INC.

QUEBEC Phone (450) 441-7525 / 1-800-315-9525
 Fax (450) 441-4894
 Web www.Robarindustries.com



Torque Wrenches, Deep Sockets & OD Tapes SLIKSTYX - Spray on Lubricant

PRICE INFORMATION

SPRAY ON LUBRICANT FOR ALL GASKETED PIPES

Certified to
NSF/ANSI/CAN 61

Product	Item	List Price per Case
16 ounce Regular	ROB - 101	\$ 243.33

12 CANS TO A CASE

Torque Wrenches:

Torque the product right the first time

List Price
\$ 322.34

Recommended torque for Robar Products:

- 1/2 bolts - 45 ft/lbs
- 5/8 bolts - 70-80 ft/lbs
- 3/4 bolts - 80 ft/lbs
- 7/8 bolts - 90 ft/lbs

6" Deep Sockets:

1-1/16" Extra Deep 6 point Drive Socket

List Price
\$ 191.47

Robar OD Tapes:

The 8ft long measuring tape provides the outside diameter of the pipe up to 30" in diameter or a 96" circumference

List Price
\$ 21.75

ROBAR INDUSTRIES LTD.

BC Phone (604) 591-8811 / 1-800-663-6553
 Fax (604) 591-5288
 Email: waterworks@robarindustries.com

LES PRODUITS INDUSTRIELS ROBAR INC.

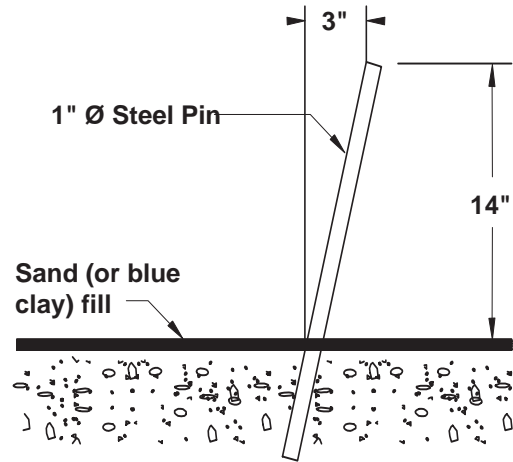
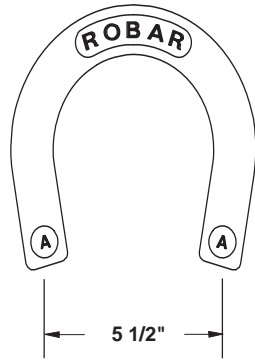
QUEBEC Phone (450) 441-7525 / 1-800-315-9525
 Fax (450) 441-4894
 Web www.Robarindustries.com



9999 RECREATIONAL HORSESHOES

CAST DUCTILE IRON

PRICE INFORMATION



Maximum Weight is 2-1/2 lbs.
Two pairs of shoes in a set.
Each pair is identified as "A" or "B"

HORSESHOE SET CONTAINS:

- 4 Shoes (Two "A" Shoes, Two "B" Shoes)
- Instructions
- Carton suitable for gift wrapping
- NOT INCLUDED:** 2 Steel Horseshoe Stakes
- Shipping Weight: 10 lbs (4.5 kgs) per set

Quantity	Description	Price per Set
1 Set	Robar Horseshoe Set	\$ 73.01
2 to 5 Sets	Robar Horseshoe Sets	\$ 64.02
6 or more Sets	Robar Horseshoe Sets	\$ 58.52

ROBAR INDUSTRIES LTD.

BC Phone (604) 591-8811 / 1-800-663-6553
Fax (604) 591-5288
Email: waterworks@robarindustries.com

LES PRODUITS INDUSTRIELS ROBAR INC.

QUEBEC Phone (450) 441-7525 / 1-800-315-9525
Fax (450) 441-4894
Web www.Robarindustries.com