

2506 & 2508 SERVICE SADDLES

**CAST DUCTILE IRON
PRICE INFORMATION**

2506 - Designed for tapping into Steel, Ductile, Cast Iron, C900 and AC pipe. Saddle straps and bodies are shaped evenly and safely distribute the clamping load to the pipe. When tightening, the saddle conforms to the various diameters in each nominal size of pipe within the specified working range.

2506 SADDLES COMPLETE WITH FLAT WASHERS

Nominal Pipe Size	Working Range		Outlet Sizes AWWA CC or IP	Approximate Shipping Weights		List Price Saddle Body		List Price *Strap Kit	List Price Saddle	
	Low	High*		(LBS.)	(KG)	(SS)	(DS)		(SS)	(DS)
2"	2.23	2.56	3/4 - 1	2.0	0.9	\$ 56.61		\$ 26.60	\$ 85.11	
3"	3.25	3.54	3/4 - 1	2.5	1.1	\$ 57.69		\$ 28.12	\$ 86.75	
4"	4.5	5.4	3/4 - 2	5.0	2.3	\$ 65.73		\$ 31.76	\$ 95.47	
				6.5	2.9		\$ 71.33			\$ 130.76
6"	6.62	7.5	3/4 - 2	6.0	2.7	\$ 67.27		\$ 35.69	\$ 100.71	
				8.5	3.9		\$ 80.58			\$ 147.44
8"	8.62	9.62	3/4 - 2	6.5	2.9	\$ 85.18		\$ 39.62	\$ 122.26	
				10.0	4.5		\$ 90.79			\$ 165.00
10"	10.75	12.12	3/4 - 2	7.5	3.4	\$ 93.90		\$ 47.88	\$ 138.77	
				11.5	5.2		\$ 96.30			\$ 185.99
12"	12.75	14.38	3/4 - 2	11.5	5.2	\$ 98.92		\$ 53.63	\$ 149.05	
				12.5	5.7		\$ 123.99			\$ 224.36
14"	15.15	16.00	3/4 - 2	15.0	6.8		\$ 171.52	\$ 54.97		\$ 277.67
16"	17.25	17.80	3/4 - 2	19.0	8.6		\$ 201.54	\$ 63.24		\$ 330.97
	17.80	18.00								

2508 SADDLES COMPLETE WITH FLAT WASHERS

2508 - Designed for tapping into Steel, Ductile and Cast Iron pipe. Not suitable on Plastic pipe

Nominal Pipe Size	Working Range		Outlet Sizes AWWA CC or IP	Approximate Shipping Weights		List Price Saddle Body		List Price *Strap Kit	List Price Saddle	
	Low	High*		(LBS.)	(KG)	(SS)	(DS)		(SS)	(DS)
4"	4.5	5.4	3/4 - 2	5.0	2.3	\$ 65.73		\$ 19.39	\$ 87.03	
				6.5	2.9		\$ 71.33			\$ 124.05
6"	6.62	7.5	3/4 - 2	6.0	2.7	\$ 67.27		\$ 27.09	\$ 92.06	
				8.5	3.9		\$ 80.58			\$ 135.67
8"	8.62	9.62	3/4 - 2	6.5	2.9	\$ 85.18		\$ 28.61	\$ 106.11	
				10.0	4.5		\$ 90.79			\$ 152.58
10"	10.75	12.12	3/4 - 2	7.5	3.4	\$ 93.90		\$ 32.30	\$ 118.06	
				11.5	5.2		\$ 96.30			\$ 167.46
12"	12.75	14.38	3/4 - 2	11.5	5.2	\$ 98.92		\$ 34.46	\$ 139.84	
				12.5	5.7		\$ 123.99			\$ 198.28
14"	15.15	16.00	3/4 - 2	15.0	6.8		\$ 171.52	\$ 35.50		\$ 239.75
16"	17.25	17.80	3/4 - 2	19.0	8.6		\$ 201.54	\$ 35.57		\$ 283.51
	17.80	18.00								

* STRAP KIT consist of 1x Strap, 2x Nuts, 2x Washers

ROBAR INDUSTRIES LTD.

BC Phone (604) 591-8811 / 1-800-663-6553
 Fax (604) 591-5288
 Email: waterworks@robarindustries.com

LES PRODUITS INDUSTRIELS ROBAR INC.

QUEBEC Phone (450) 441-7525 / 1-800-315-9525
 Fax (450) 441-4894
 Web www.Robarindustries.com



2616 SERVICE SADDLES

FABRICATED STAINLESS STEEL PRICE INFORMATION

Nominal Pipe Size	Outlet Size	Double Bolt List Price		Working Range		
		IP	CC	Low	Pipe OD	High
2"	3/4"	\$ 148.83	\$ 145.34	2.00		2.25
	1"	\$ 151.31	\$ 153.26	2.30	2.38	2.50
	1 1/4" (IP only)	\$ 175.16		2.50		2.70
2 1/2" & 3"	3/4"	\$ 153.48	\$ 150.26	2.70	2.88	2.90
	1"	\$ 157.84	\$ 158.17	2.90		3.15
	1 1/4" (IP only)	\$ 188.93		3.35	3.50	3.65
	1 1/2" (IP only)	\$ 188.93		3.70	3.80	3.95
	2" (IP only)	\$ 242.55				
4"	3/4"	\$ 149.36	\$ 148.84	4.00		4.40
	1"	\$ 157.47	\$ 156.57	4.20	4.50	4.60
	1 1/4"	\$ 220.47	\$ 204.33	4.60	4.80	5.00
	1 1/2"	\$ 201.83	\$ 242.59	4.80		5.20
	2"	\$ 226.50	\$ 260.23	5.20		5.60
6"	3/4"	\$ 160.51	\$ 159.96	6.00		6.40
	1"	\$ 168.21	\$ 167.63	6.40	6.63	6.80
	1 1/4"	\$ 236.39	\$ 220.14	6.60	6.90	7.00
	1 1/2"	\$ 217.58	\$ 258.46	6.80		7.20
	2"	\$ 242.28	\$ 276.21	7.20		7.60
8"	3/4"	\$ 166.93	\$ 165.77	8.00		8.40
	1"	\$ 174.06	\$ 173.48	8.40	8.63	8.80
	1 1/4"	\$ 250.54	\$ 234.36	8.60	9.05	9.05
	1 1/2"	\$ 231.84	\$ 272.71	8.90		9.30
	2"	\$ 256.56	\$ 290.49	9.20		9.60
10"	3/4"	\$ 184.47	\$ 198.41	9.60		10.00
	1"	\$ 192.20	\$ 206.13	10.00		10.40
	1 1/4"	\$ 264.67	\$ 248.50	10.40	10.75	10.80
	1 1/2"	\$ 245.99	\$ 286.79	10.70		11.10
	2"	\$ 270.50	\$ 304.47	10.90	11.30	
				11.60		12.00
12"	3/4"	\$ 193.75	\$ 208.33	12.00		12.40
	1"	\$ 202.15	\$ 216.04	12.40	12.75	12.80
	1 1/4"	\$ 277.88	\$ 261.63	12.75	13.20	13.20
	1 1/2"	\$ 259.31	\$ 299.96	13.10		13.40
	2"	\$ 283.79	\$ 317.74	13.60		14.00

Note: This product can be manufactured to your specification. Contact Robar.

The high limit of the range is used in the ordering code

Large Outlets: 2-1/2" and 3" IP outlets are available in the 2626 series only

The price is determined by the outlet size and type, not by the working range.

ROBAR INDUSTRIES LTD.

BC Phone (604) 591-8811 / 1-800-663-6553

Fax (604) 591-5288

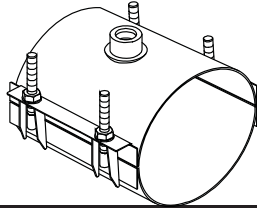
Email: waterworks@robarindustries.com

LES PRODUITS INDUSTRIELS ROBAR INC.

QUEBEC Phone (450) 441-7525 / 1-800-315-9525

Fax (450) 441-4894

Web: www.Robarindustries.com



2626 SERVICE SADDLES

FABRICATED STAINLESS STEEL

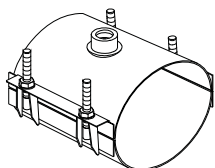
PRICE INFORMATION

Nominal Pipe Size	Outlet Size	Double Bolt List Price		Working Range		
		IP	CC	Low	Pipe OD	High
3"	3/4"	\$ 205.11	\$ 210.79	3.45	3.50	4.25
	1"	\$ 209.13	\$ 218.44			
4"	3/4"	\$ 232.53	\$ 238.21	4.20	4.50	5.00
	1"	\$ 236.55	\$ 245.89	4.74	4.80	5.54
	1 1/4"	\$ 287.23	\$ 299.55	5.35		6.15
	1 1/2"	\$ 314.03	\$ 343.47	5.90		6.70
	2"	\$ 325.05	\$ 367.03			
6"	3/4"	\$ 242.03	\$ 247.74	6.40	6.63	7.20
	1"	\$ 246.08	\$ 255.37	6.85	6.90	7.65
	1 1/4"	\$ 303.19	\$ 315.41	7.05		7.85
	1 1/2"	\$ 329.91	\$ 359.27			
	2"	\$ 340.98	\$ 382.88			
	2 1/2" & 3"	\$ 644.96				
8"	3/4"	\$ 250.58	\$ 256.29	7.95	8.63	8.75
	1"	\$ 254.64	\$ 263.97	8.40		9.20
	1 1/4"	\$ 317.43	\$ 329.70	9.00	9.05	9.80
	1 1/2"	\$ 344.17	\$ 373.56	9.30		10.10
	2"	\$ 407.67	\$ 397.15			
	2 1/2" & 3"	\$ 659.17				
10"	3/4"	\$ 275.52	\$ 281.15	10.00		10.80
	1"	\$ 279.50	\$ 288.42	10.40	10.75	11.20
	1 1/4"	\$ 331.42	\$ 343.68	11.05	11.10	11.85
	1 1/2"	\$ 358.19	\$ 387.57	11.40		12.20
	2"	\$ 369.26	\$ 411.24			
	2 1/2" & 3"	\$ 673.26				

Note: 2 1/2" and 3" IP outlets available on nominal size 6" and above.
 This product can be manufactured to your specification. Contact Robar.
 The high limit of the range is used in the ordering code
 The price is determined by the outlet size and type, not by the working range.

ROBAR INDUSTRIES LTD.
BC Phone: (604) 591-8811/ 1-800-663-6553
 Fax: (604) 591-5288
 Email: waterworks@robar.com

LES PRODUITS INDUSTRIELS ROBAR INC.
QUEBEC Phone (450) 441-7525 / 1-800-315-9525
 Fax (450) 441-4894
 Web: www.Robarindustries.com



2626 SERVICE SADDLES

FABRICATED STAINLESS STEEL PRICE INFORMATION

Nominal Pipe Size	Outlet Size	Double Bolt List Price		Working Range		
		IP	CC	Low	Pipe OD	High
12"	3/4"	\$ 285.50	\$ 291.06	12.00		12.80
	1"	\$ 289.43	\$ 298.78	12.20	12.75	13.00
	1 1/4"	\$ 344.64	\$ 356.88	13.10	13.20	13.90
	1 1/2"	\$ 371.44	\$ 400.84	13.40	14.00	14.20
	2"	\$ 382.47	\$ 424.36	13.70		14.50
	2 1/2" & 3"	\$ 686.46				
14"	3/4"	\$ 292.09	\$ 298.42	14.00		14.80
	1"	\$ 296.76	\$ 306.10	14.95	15.30	15.75
	1 1/4"	\$ 354.48	\$ 366.70			
	1 1/2"	\$ 381.17	\$ 410.61			
	2"	\$ 392.26	\$ 434.18			
	2 1/2" & 3"	\$ 696.26				
16"	3/4"	\$ 305.98	\$ 311.66	15.60	16.00	16.40
	1"	\$ 310.03	\$ 319.36	16.40		17.20
	1 1/4"	\$ 372.11	\$ 384.38	17.20	17.40	18.00
	1 1/2"	\$ 398.93	\$ 428.30			
	2"	\$ 409.98	\$ 451.89			
	2 1/2" & 3"	\$ 713.98				
18"	3/4"	\$ 313.99	\$ 319.68	17.60	18.00	18.40
	1"	\$ 318.03	\$ 327.35	18.00		18.80
	1 1/4"	\$ 382.79	\$ 395.00	18.40		19.20
	1 1/2"	\$ 409.54	\$ 438.92	18.80		19.60
	2"	\$ 420.59	\$ 462.53	19.20	19.50	20.00
	2 1/2" & 3"	\$ 724.56				

Note: This product can be manufactured to your specification. Contact Robar.
 The high limit of the range is used in the ordering code
 The price is determined by the outlet size and type, not by the working range.
 2 1/2" and 3" IP outlets available on nominal size 6" and above.

ROBAR INDUSTRIES LTD.

BC Phone: (604) 591-8811/ 1-800-663-6553
 Fax: (604) 591-5288
 Email: waterworks@robar.com

LES PRODUITS INDUSTRIELS ROBAR INC.

QUEBEC Phone (450) 441-7525/ 1-800-315-9525
 Fax (450) 441-4894
 Web: www.robarindustries.com



2636 SERVICE SADDLES

FABRICATED STAINLESS STEEL

PRICE INFORMATION

Nominal Pipe Size	Outlet Size	Double Bolt List Price		Working Range		
		IP	CC	Low	Pipe OD	High
16"	3/4"	\$ 370.79	\$ 376.44	15.92		17.12
	1"	\$ 374.80	\$ 384.15	16.25		17.45
	1 1/4"	\$ 436.85	\$ 449.13	17.10	17.40	18.30
	1 1/2"	\$ 463.72	\$ 493.07			
	2"	\$ 474.65	\$ 516.68			
	2 1/2" & 3"	\$ 778.66				
18"	3/4"	\$ 378.78	\$ 384.41	17.40	18.00	18.60
	1"	\$ 382.79	\$ 392.06	19.20	19.50/20.00	20.40
	1 1/4"	\$ 447.56	\$ 459.78			
	1 1/2"	\$ 474.26	\$ 503.65			
	2"	\$ 485.33	\$ 527.31			
	2 1/2" & 3"	\$ 789.34				
20"	3/4"	\$ 410.12	\$ 415.82	21.40	21.60	22.60
	1"	\$ 414.15	\$ 423.50	22.80		24.00
	1 1/4"	\$ 489.50	\$ 501.77	23.45	24.00	24.65
	1 1/2"	\$ 516.23	\$ 545.69			
	2"	\$ 527.33	\$ 569.90			
	2 1/2" & 3"	\$ 831.32				
24"	3/4"	\$ 426.08	\$ 431.71	24.45		25.65
	1"	\$ 430.09	\$ 439.41	25.50	25.80	26.70
	1 1/4"	\$ 510.80	\$ 522.99			
	1 1/2"	\$ 537.51	\$ 566.96			
	2"	\$ 548.53	\$ 590.51			
	2 1/2" & 3"	\$ 852.53				
26" - 30"***	3/4"	\$ 447.35	\$ 484.80	28.25		29.45
	1"	\$ 451.59	\$ 461.40	29.40	30.00	30.60
	1 1/4"	\$ 536.35	\$ 549.16	29.85		31.05
	1 1/2"	\$ 564.40	\$ 595.31	30.85		32.05
	2"	\$ 575.98	\$ 620.04	31.50	32.00	32.70
	2 1/2" & 3"	\$ 879.97				

***only rated for 50 PSI. Use a carbon steel tapping sleeve for higher pressures. Contact Robar.

Note: This product can be manufactured to your specification. Contact Robar.

The high limit of the range is used in the ordering code

The price is determined by the outlet size and type, not by the working range.

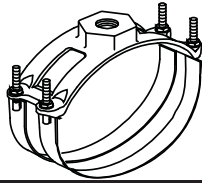
2 1/2" and 3" IP outlets available on nominal size 6" and above.

ROBAR INDUSTRIES LTD.

BC Phone (604) 591-8811 / 1-800-663-6553
 Fax (604) 591-5288
 Email: waterworks@robarindustries.com

LES PRODUITS INDUSTRIELS ROBAR INC.

QUEBEC Phone (450) 441-7525 / 1-800-315-9525
 Fax (450) 441-4894
 Web: www.Robarindustries.com



2706 SERVICE SADDLES

CAST BRONZE

PRICE INFORMATION

ROBAR 2706 Service Saddles are strong and resist corrosion. They fit pipes from Steel to Rough Barrel A/C. Flexible straps adapt readily to the pipe, evenly distributing load and easing installation.

Nominal Pipe Size	Working Range	Outlet Sizes AWWA CC or IP	Approximate Shipping Weights		Strap Style	Saddle Body Each	*Strap Kit	Complete Saddle List Price
			(LBS.)	(KG)				
4"	4.50-4.80	3/4 - 1	5.0	2.3	SS	\$ 59.44	\$ 33.60	\$ 113.40
		1 1/4 - 2			SS	\$ 101.86		\$ 165.31
		3/4 - 2	6.5	2.9	DS	\$ 123.45		\$ 233.05
6"	6.60-7.45 7.10-7.60	3/4 - 1	6.0	2.7	SS	\$ 64.71	\$ 37.77	\$ 125.00
		1 1/4 - 2			SS	\$ 94.01		\$ 160.75
		3/4 - 2	8.5	3.9	DS	\$ 143.06		\$ 266.68
8"	8.60-9.80	3/4 - 1	6.5	2.9	SS	\$ 76.21	\$ 41.92	\$ 144.12
		3/4 - 2	10.0	4.5	DS	\$ 146.64		\$ 281.23
10"	10.70-11.20 11.10-12.30	3/4 - 2	7.5	3.4	DS	\$ 138.98	\$ 55.75	\$ 305.51
12"	12.70 -13.30 13.10-14.55	3/4 - 2	11.5	5.2	DS	\$ 167.52	\$ 62.43	\$ 356.58
14"	15.10-15.70 15.20-16.85	3/4 - 2	5.0	2.3	DS	\$ 190.00	\$ 71.43	\$ 406.03
16"	17.20-18.00 17.40-19.00	3/4 - 2	6.0	2.7	DS	\$ 207.64	\$ 76.11	\$ 438.94
18" - 20"	18.60-20.40 19.50-21.30 19.70-21.50 21.00-22.80	3/4 - 2	6.5	2.9	DS	\$ 232.83	\$ 103.50	\$ 536.61
24"	23.75-24.75 24.60-25.60 25.65-26.50 26.55-27.55 27.60-28.55 29.60-30.50	3/4 - 2	7.5	3.4	DS	\$ 385.98	\$ 136.21	\$ 803.26

Note: The high limit of the range is used in the ordering code
Large Outlets: 2-1/2" and 3" IP outlets are available in the 2626 series only

* STRAP KIT consist of 1x Strap, 2x Nuts, 2x Washers

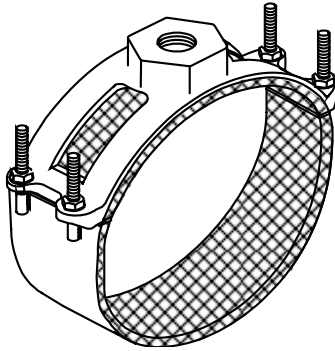
ROBAR INDUSTRIES LTD.
BC Phone (604) 591-8811 / 1-800-663-6553
 Fax (604) 591-5288
 Email waterworks@robarindustries.com

LES PROD LES PRODUITS INDUSTRIELS ROBAR INC.
QUEBEC QUEBEC Phone (450) 441-7525 / 1-800-315-9525
 Fax (450) 441-4894
 Web www.Robarindustries.com



2786 SERVICE SADDLES

CAST BRONZE
PRICE INFORMATION



Sizes Available: 4" - 20" Nominal Pipe OD
Outlets from 3/4" - 2" in AWWA taper (CC) or female iron pipe thread (IP)
Fits Steel (IPS), Ductile Iron and Cast Iron Pipe

Use:
ROBAR 2786 Isolating Saddles are used to electrically isolate an outlet or service line from a main distribution line. Primarily used in cathodically protected systems or to separate dissimilar metals. Waterworks Bronze and Passivated T-304 stainless steel are "noble" materials which are closely related to each other near the top of the Galvanic Scale or corrosion resistance. Unlike pairs of widely dissimilar metals, they will both exhibit long life in most "hot" soil environments.

Material Specification:

Saddle Body: Waterworks Bronze (ASTM B62 and AWWA C-800)
Gaskets: SBR (BUNA-S) Rubber Isolating Compound
Strap & Armor: T-304 Stainless Steel, fully passivated
Fasteners: 1/2" NC T-304 Stainless Steel studs, rolled threads

Nominal Pipe Size	Working Range		List Price
	Low	High*	
4"	4.50	4.80	\$ 419.22
6"	6.60	7.40	\$ 431.47
8"	8.60	9.40	\$ 445.45
10"	10.70	11.50	\$ 477.55
12"	12.70	13.50	\$ 496.02
14"	13.80	14.40	\$ 600.97
	15.20	16.00	\$ 600.97
16"	17.20	18.00	\$ 661.83
18"	19.20	20.00	\$ 692.77
20"	20.80	21.90	\$ 731.46

HOW TO ORDER:

Determine the product number (2786), the high limit of range (see above table), outlet size and outlet thread, and then use the appropriate ordering code as shown in the example.

2786 - 7.40" x 3/4" CC
ie. - 2786 - 7.40 x 3/4CC

Note: The 2786 is designed to be installed with a maximum torque of 45 ft. lbs.
* The high limit of the range is used in the ordering code

ROBAR INDUSTRIES LTD.

BC Phone (604) 591-8811 / 1-800-663-6553
Fax (604) 591-5288
Email: waterworks@robarindustries.com

LES PRODUITS INDUSTRIELS ROBAR INC.

QUEBEC Phone (450) 441-7525 / 1-800-315-9525
Fax (450) 441-4894
Web: www.Robarindustries.com