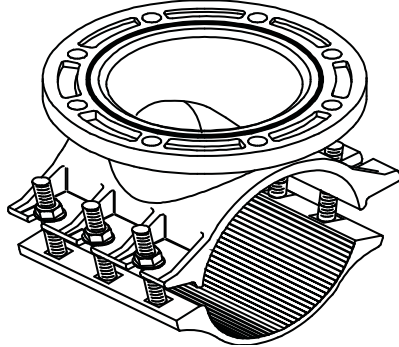
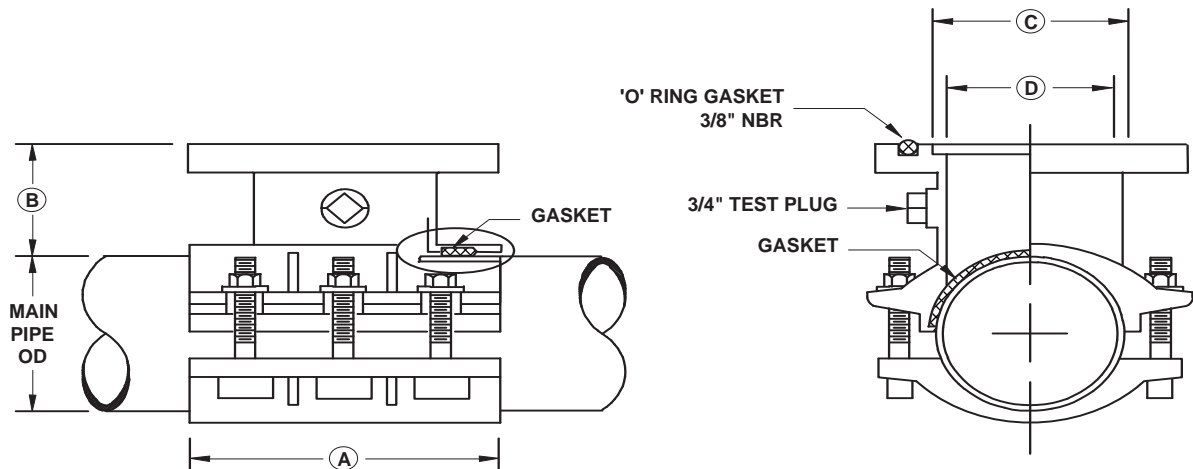


6504 & 6506 TAPPING SLEEVES

CAST DUCTILE IRON
PRICE INFORMATION



Nominal Pipe Size	Working Range	Ordering Code	List Price	
			Epoxy	
			6508	6506
4 x 4	4.74 - 5.10	PN - 4" x 4" x OD		\$1,018.19
6 x 4	6.86 - 7.10	PN - 6" x 4" x OD		\$1,050.05
6 x 6	6.86 - 7.10	PN - 6" x 6" x OD		\$1,192.12
8 x 4	8.99 - 9.30	PN - 8" x 4" x OD		\$1,102.47
8 x 6	8.99 - 9.31	PN - 8" x 6" x OD		\$1,194.71
8 x 8	8.99 - 9.32	PN - 8" x 8" x OD		\$1,465.83



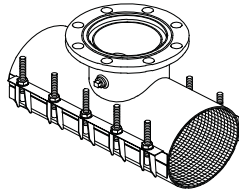
Nominal Size	Outlet Size	Sleeve Length	Flange Height (B)	Spigot OD	Branch ID (D)	Number of Bolts	Bolt Size
4"	4	8	3 5/8	5 1/32	4 3/8	6	3/4
6"	4	8 1/2	3 5/8	5 1/32	4 3/8	6	3/4
	6	8 1/2	3 5/8	7 1/32	6 3/8	6	3/4
8"	4	8 1/2	3 3/4	5 1/32	4 3/8	6	3/4
	6	8 1/2	3 3/4	7 1/32	6 3/8	6	3/4
	8	8 1/2	3 3/4	9 1/32	8 3/8	6	3/4

ROBAR INDUSTRIES LTD.

BC Phone (604) 591-8811 / 1-800-663-6553
 Fax (604) 591-5288
 Email waterworks@robarindustries.com

LES PRODUITS INDUSTRIELS ROBAR INC.

QUEBEC Phone (450) 441-7525 / 1-800-315-9525
 Fax (450) 441-4894
 Web www.Robarindustries.com



6606 TAPPING SLEEVES

STAINLESS STEEL
PRICE INFORMATION

Nominal Pipe Size	By x	Outlet Size	LIST PRICE	Fitting Length	Number of Bolts	Working Range	
						LOW	HIGH
4"	x	3	\$ 1,251.55	12	8	4.70	4.95
		4	\$ 1,251.55	12	8	4.95	5.20
6"	x	3	\$ 1,251.55	12	8	6.40	6.80
		4	\$ 1,251.55	12	8	6.80	7.20
6"	x	6	\$ 1,711.05	16	10	7.20	7.60
						6.75	7.00
						6.85	7.10
						7.00	7.25
8"	x	3	\$ 1,264.13	12	8	7.25	7.50
		4	\$ 1,264.13	12	8	8.40	8.80
		6	\$ 1,536.72	16	10	8.80	9.20
8"	x	8	\$ 2,472.79	20	12	9.20	9.60
						8.95	9.20
10"	x	3	\$ 1,321.48	12	8	9.25	9.50
		4	\$ 1,321.48	12	8	10.55	10.95
		6	\$ 1,698.62	16	10	10.90	11.30
		8	\$ 2,423.75	20	14	11.30	11.70
		10	\$ 3,068.31	20	14	11.90	12.30
12"	x	3	\$ 1,429.67	12	8	12.15	12.55
		4	\$ 1,429.67	12	8	12.55	12.95
		6	\$ 1,838.27	16	10	13.00	13.40
		8	\$ 2,598.44	20	14	13.40	13.80
		10	\$ 3,001.99	20	14	13.80	14.20
		12	\$ 4,237.99	24	16		
14"	x	3	\$ 1,556.40	12	8	15.10	15.50
		4	\$ 1,556.40	12	8	15.50	15.90
		6	\$ 2,002.96	16	10	15.80	16.20
		8	\$ 2,804.27	20	14	16.20	16.60
		10	\$ 3,223.66	20	14		
		12	\$ 4,535.87	24	16		

All dimensions are in inches
Continued...

Note: Size on size for IPS OD is not available.
When ordering a 6606 tapping sleeve, price is determined by the flange size and not by working range.
The working range is only a guideline, other ranges can be fabricated.

ROBAR INDUSTRIES LTD.

BC Phone (604) 591-8811 / 1-800-663-6553
Fax (604) 591-5288
Email waterworks@robarindustries.com

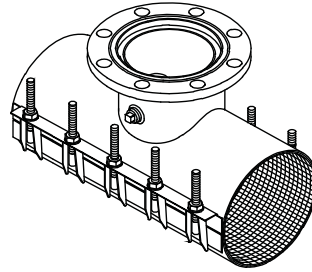
LES PRODUITS INDUSTRIELS ROBAR INC.

QUEBEC Phone (450) 441-7525 / 1-800-315-9525
Fax (450) 441-4894
Web www.Robarindustries.com



6606 TAPPING SLEEVES

STAINLESS STEEL
PRICE INFORMATION



Nominal Pipe Size	By x	Outlet Size	LIST PRICE	Fitting Length	Number of Bolts	Working Range	
						LOW	HIGH
16"	x	3	\$1,637.41	12	8	17.20	17.60
		4	\$1,637.41	12	8	17.40	17.80
		6	\$2,107.84	16	10	17.80	18.20
		8	\$2,935.42	20	14	18.40	18.80
		10	\$3,351.02	20	14	18.80	19.20
		12	\$4,679.92	24	16		
18"	x	3	\$1,759.26	12	12	19.30	19.70
		4	\$1,759.26	12	12	19.80	20.20
		6	\$2,265.84	16	15	20.20	20.60
		8	\$3,132.81	20	21		
		10	\$3,536.46	20	21		
		12	\$4,823.92	24	24		
20"	x	3	\$1,799.31	12	12	21.40	21.80
		4	\$1,799.31	12	12	22.00	22.40
		6	\$2,317.68	16	15	22.60	23.00
		8	\$3,197.70	20	21		
		10	\$3,606.00	20	21		
		12	\$4,968.08	24	24		
24"	x	3	\$2,002.22	12	12	23.20	23.60
		4	\$2,002.22	12	12	23.80	24.20
		6	\$2,580.60	16	15	25.60	26.00
		8	\$3,526.26	20	21		
		10	\$3,956.07	20	21		
		12	\$5,255.93	24	24		

All dimensions are in inches

Note: When ordering a 6606 tapping sleeve, price is determined by the flange size and not by working range.
The working range is only a guideline, other ranges can be fabricated.

ROBAR INDUSTRIES LTD.

BC Phone (604) 591-8811 / 1-800-663-6553
 Fax (604) 591-5288
 Email waterworks@robarindustries.com

LES PRODUITS INDUSTRIELS ROBAR INC.

QUEBEC Phone (450) 441-7525 / 1-800-315-9525
 Fax (450) 441-4894
 Web www.Robarindustries.com

6606 BOLT BRACKET TAPPING SLEEVES

STAINLESS STEEL
PRICE INFORMATION

Nominal Pipe Size	By x	Outlet Size	LIST PRICE	Fitting Length	Number of Bolts	Working Range	
						LOW	HIGH
6"	x	4	\$ 1,545.04	12	8	6.40	6.80
						6.80	7.20
						7.20	7.60
6"	x	6	\$ 2,070.77	16	10	6.75	7.00
						6.85	7.10
						7.00	7.25
						7.25	7.50
						8.40	8.80
8"	x	3	\$ 1,721.00	12	8	8.80	9.20
		4	\$ 1,721.00	12	8	9.20	9.60
		6	\$ 2,053.95	16	10	8.95	9.20
8"	x	8	\$ 2,882.45	20	12	9.25	9.50
						10.55	10.95
10"	x	3	\$ 1,655.77	12	8	10.90	11.30
		4	\$ 1,655.77	12	8	11.30	11.70
		6	\$ 2,195.62	16	10	11.90	12.30
		8	\$ 2,837.13	20	14		
		10	\$ 3,589.30	20	14		
12"	x	3	\$ 1,771.40	12	8	12.15	12.55
		4	\$ 1,771.40	12	8	12.55	12.95
		6	\$ 2,345.57	16	10	13.00	13.40
		8	\$ 3,029.91	20	14	13.40	13.80
		10	\$ 3,482.30	20	14	13.80	14.20
		12	\$ 4,819.43	24	16		
14"	x	3	\$ 1,906.36	12	8	15.10	15.50
		4	\$ 1,906.36	12	8	15.50	15.90
		6	\$ 2,508.09	16	10	15.80	16.20
		8	\$ 3,248.72	20	14	16.20	16.60
		10	\$ 3,751.20	20	14		
		12	\$ 5,152.48	24	16		

All dimensions are in inches

Continued...

Note: Size on size for IPS OD is not available.

When ordering a 6606BB tapping sleeve, price is determined by the flange size and not by working range.

The working range is only a guideline, other ranges can be fabricated.

ROBAR INDUSTRIES LTD.

BC Phone (604) 591-8811 / 1-800-663-6553
Fax (604) 591-5288
Email waterworks@robarindustries.com

LES PRODUITS INDUSTRIELS ROBAR INC.

QUEBEC Phone (450) 441-7525 / 1-800-315-9525
Fax (450) 441-4894
Web www.Robarindustries.com

6606 BOLT BRACKET TAPPING SLEEVES

STAINLESS STEEL
PRICE INFORMATION

Nominal Pipe Size	By x	Outlet Size	LIST PRICE	Fitting Length	Number of Bolts	Working Range	
						LOW	HIGH
16"	x	3	\$ 1,992.03	12	8	17.20	17.60
		4	\$ 1,992.03	12	8	17.40	17.80
		6	\$ 2,615.17	16	10	17.80	18.20
		8	\$ 3,387.96	20	14	18.40	18.80
		10	\$ 3,862.50	20	14	18.80	19.20
		12	\$ 5,349.55	24	16		
18"	x	3	\$ 2,323.93	12	12	19.30	19.70
		4	\$ 2,323.93	12	12	19.80	20.20
		6	\$ 2,800.94	16	15	20.20	20.60
		8	\$ 3,520.16	20	21		
		10	\$ 4,098.60	20	21		
		12	\$ 5,398.82	24	24		
20"	x	3	\$ 2,365.73	12	12	21.40	21.80
		4	\$ 2,365.73	12	12	22.00	22.40
		6	\$ 2,855.50	16	15	22.60	23.00
		8	\$ 3,587.42	20	21		
		10	\$ 4,240.57	20	21		
		12	\$ 5,570.74	24	24		
24"	x	3	\$ 2,575.37	12	12	23.20	23.60
		4	\$ 2,575.37	12	12	23.80	24.20
		6	\$ 3,314.98	16	15	25.60	26.00
		8	\$ 4,166.47	20	21		
		10	\$ 4,422.95	20	21		
		12	\$ 5,955.83	24	24		

All dimensions are in inches

Note: When ordering a 6606BB tapping sleeve, price is determined by the flange size and not by working range.

The working range is only a guideline, other ranges can be fabricated.

ROBAR INDUSTRIES LTD.

BC Phone (604) 591-8811 / 1-800-663-6553
 Fax (604) 591-5288
 Email waterworks@robarindustries.com

LES PRODUITS INDUSTRIELS ROBAR INC.

QUEBEC Phone (450) 441-7525 / 1-800-315-9525
 Fax (450) 441-4894
 Web www.Robarindustries.com



Stainless Steel MJ Tapping Sleeves

6606MJ, 6606MJBB, 6606CSMJ, 6606CSMJBB

PRICE INFORMATION

Nominal Pipe Size	By x	Outlet Size	LIST PRICE				Fitting Length	Number of Bolts	Working Range	
			6606 MJ	6606 CSMJ	6606 MJBB	6606 CSMJBB			LOW	HIGH
6"	x	3	\$1,470.20	\$1,071.62	\$1,764.25	\$ 1,365.64	12	8	6.40	6.80
		4	\$1,470.20	\$1,071.62	\$1,764.25	\$ 1,365.64	12	8	6.80	7.20
6"	x	6	\$1,878.58	\$1,430.99	\$2,239.56	\$ 1,790.38	16	10	7.20	7.60
									6.75	7.00
									6.85	7.10
8"	x	3	\$1,486.54	\$1,105.91	\$1,943.94	\$ 1,399.95	12	8	7.00	7.25
		4	\$1,486.54	\$1,105.91	\$1,943.94	\$ 1,399.95	12	8	7.25	7.50
		6	\$1,960.27	\$1,478.37	\$2,478.09	\$ 1,832.86	16	10	8.40	8.80
8"	x	8	\$2,646.35	\$1,956.99	\$3,054.74	\$ 2,367.02	20	12	8.80	9.20
									9.20	9.60
10"	x	3	\$1,527.36	\$1,143.48	\$1,862.26	\$ 1,430.99	12	8	9.20	9.60
		4	\$1,527.36	\$1,143.48	\$1,862.26	\$ 1,430.99	12	8	8.95	9.20
		6	\$2,022.35	\$1,525.73	\$2,520.57	\$ 1,860.63	16	10	9.25	9.50
		8	\$2,744.37	\$2,035.40	\$3,159.28	\$ 2,448.71	20	14	10.55	10.95
		10	\$3,120.09	\$2,156.28	\$3,641.19	\$ 2,677.40	20	14	10.90	11.30
12"	x	3	\$1,600.88	\$1,185.96	\$1,943.94	\$ 1,470.20	12	8	11.30	11.70
		4	\$1,600.88	\$1,185.96	\$1,943.94	\$ 1,470.20	12	8	11.90	12.30
		6	\$2,082.79	\$1,589.45	\$2,590.80	\$ 2,015.80	16	10	12.15	12.55
		8	\$2,785.22	\$2,081.14	\$3,218.09	\$ 2,512.42	20	14	12.55	12.95
		10	\$3,234.44	\$2,221.63	\$3,716.34	\$ 2,701.88	20	14	13.00	13.40
		12	\$4,410.59	\$2,858.71	\$4,992.14	\$ 3,440.26	24	16	13.40	13.80
14"	x	3	\$1,756.07	\$1,295.41	\$2,107.29	\$ 1,579.65	12	8	13.80	14.20
		4	\$1,756.07	\$1,295.41	\$2,107.29	\$ 1,579.65	12	8	15.10	15.50
		6	\$2,254.31	\$1,754.45	\$2,760.70	\$ 2,144.86	16	10	15.50	15.90
		8	\$3,022.08	\$2,295.15	\$3,468.03	\$ 2,739.47	20	14	15.80	16.20
		10	\$3,401.07	\$2,399.68	\$3,928.70	\$ 2,927.33	20	14	16.20	16.60
		12	\$4,709.53	\$3,072.72	\$5,327.01	\$ 3,688.57	24	16		

All dimensions are in inches

Continued...

Note: Size on size for IPS OD is not available.
 When ordering a 6606 tapping sleeve, price is determined by the flange size and not by working range.
 The working range is only a guideline, other ranges can be fabricated.

ROBAR INDUSTRIES LTD.

BC Phone (604) 591-8811 / 1-800-663-6553
 Fax (604) 591-5288
 Email waterworks@robarindustries.com

LES PRODUITS INDUSTRIELS ROBAR INC.

QUEBEC Phone: (450) 441-7525/1-800-315-9525
 Fax: (450) 441-4894
 Web: www.Robarindustries.com



Stainless Steel MJ Tapping Sleeves

6606MJ, 6606MJBB, 6606CSMJ, 6606CSMJBB

Price Information

Nominal Pipe Size	By x	Outlet Size	LIST PRICE				Fitting Length	Number of Bolts	Working Range	
			6606 MJ	6606 CSMJ	6606 MJBB	6606 CSMJBB			LOW	HIGH
16"	x	3	\$1,816.51	\$1,339.51	\$2,172.63	\$1,613.96	12	8	17.20	17.60
		4	\$1,816.51	\$1,339.51	\$2,172.63	\$1,613.96	12	8	17.40	17.80
		6	\$2,352.33	\$1,818.15	\$2,860.36	\$2,226.55	16	10	17.80	18.20
		8	\$3,103.75	\$2,383.35	\$3,557.88	\$2,835.84	20	14	18.40	18.80
		10	\$3,528.47	\$2,487.90	\$4,041.41	\$2,999.20	20	14	18.80	19.20
		12	\$4,848.39	\$3,147.86	\$5,518.14	\$3,719.60	24	16		
18"	x	3	\$2,009.28	\$1,538.81	\$2,574.47	\$2,102.38	12	12	19.30	19.70
		4	\$2,009.28	\$1,538.81	\$2,574.47	\$2,102.38	12	12	19.80	20.20
		6	\$2,572.85	\$2,082.79	\$3,108.64	\$2,741.10	16	15	20.20	20.60
		8	\$3,397.80	\$2,721.51	\$3,786.57	\$3,538.27	20	21		
		10	\$3,798.02	\$2,830.95	\$4,361.57	\$3,644.46	20	21		
		12	\$4,998.66	\$3,567.68	\$5,573.68	\$4,510.24	24	24		
20"	x	3	\$2,066.44	\$1,578.01	\$2,633.28	\$2,144.86	12	12	21.40	21.80
		4	\$2,066.44	\$1,578.01	\$2,633.28	\$2,144.86	12	12	22.00	22.40
		6	\$2,654.52	\$2,141.58	\$3,193.61	\$2,799.92	16	15	22.60	23.00
		8	\$3,512.15	\$2,799.92	\$3,902.56	\$3,613.42	20	21		
		10	\$3,920.52	\$2,943.66	\$4,555.99	\$3,755.54	20	21		
		12	\$5,140.79	\$3,703.27	\$5,743.57	\$4,644.19	24	24		
24"	x	3	\$2,246.14	\$1,703.80	\$2,819.51	\$2,275.53	12	12	23.20	23.60
		4	\$2,246.14	\$1,703.80	\$2,819.51	\$2,275.53	12	12	23.80	24.20
		6	\$2,858.71	\$2,327.82	\$3,593.81	\$3,061.28	16	15	25.60	26.00
		8	\$3,757.17	\$3,028.60	\$4,397.52	\$3,838.84	20	21		
		10	\$4,157.38	\$3,133.16	\$4,624.59	\$3,941.77	20	21		
		12	\$5,425.05	\$3,930.33	\$6,125.83	\$4,867.99	24	24		

All dimensions are in inches

Note: When ordering a 6606 tapping sleeve, price is determined by the flange size and not by working range.
The working range is only a guideline, other ranges can be fabricated.

ROBAR INDUSTRIES LTD.		LES PRODUITS INDUSTRIELS ROBAR INC.	
BC Phone	(604) 591-8811 / 1-800-663-6553	QUEBEC	Phone: (450) 441-7525/1-800-315-9525
Fax	(604) 591-5288		Fax: (450) 441-4894
Email	waterworks@robarindustries.com		Web: www.Robarindustries.com



6606CSF TAPPING SLEEVES

STAINLESS STEEL BODY WITH MILD STEEL FLANGE

PRICE INFORMATION

Nominal Pipe Size	By x	Outlet Size	Lifter Bar List Price	Bolt Bracket List Price	Fitting Length	Number of Bolts	Working Range	
							LOW	HIGH
6"	x	3	\$ 1,007.87	\$ 1,203.97	12	8	6.40	6.80
		4	\$ 1,007.87	\$ 1,203.97	12	8	6.80	7.20
6"	x	6	\$ 1,336.64	\$ 1,625.11	16	10	7.20	7.60
							6.75	7.00
							6.85	7.10
							7.00	7.25
8"	x	3	\$ 1,038.35	\$ 1,234.41	12	8	7.25	7.50
		4	\$ 1,038.35	\$ 1,234.41	12	8	8.40	8.80
		6	\$ 1,381.79	\$ 1,670.26	16	10	8.80	9.20
8"	x	8	\$ 1,828.02	\$ 2,175.05	20	12	9.20	9.60
							8.95	9.20
10"	x	3	\$ 1,068.03	\$ 1,264.13	12	8	9.25	9.50
		4	\$ 1,068.03	\$ 1,264.13	12	8	10.55	10.95
		6	\$ 1,425.78	\$ 1,714.25	16	10	10.90	11.30
		8	\$ 1,900.91	\$ 2,247.93	20	12	11.30	11.70
		10	\$ 1,998.74	\$ 2,345.76	20	12	11.90	12.30
12"	x	3	\$ 1,108.21	\$ 1,304.29	12	8	12.15	12.55
		4	\$ 1,108.21	\$ 1,304.29	12	8	12.55	12.95
		6	\$ 1,485.34	\$ 1,773.83	16	10	13.00	13.40
		8	\$ 1,944.77	\$ 2,291.79	20	12	13.40	13.80
		10	\$ 2,076.06	\$ 2,423.09	20	12	13.80	14.20
		12	\$ 2,671.58	\$ 3,077.14	24	16		
14"	x	3	\$ 1,209.84	\$ 1,405.93	12	8	15.10	15.50
		4	\$ 1,209.84	\$ 1,405.93	12	8	15.50	15.90
		6	\$ 1,638.44	\$ 1,926.91	16	10	15.80	16.20
		8	\$ 2,143.76	\$ 2,490.79	20	12	16.20	16.60
		10	\$ 2,241.58	\$ 2,588.61	20	12		
		12	\$ 2,870.24	\$ 3,275.80	24	16		

All dimensions are in inches

Continued...

Note: Size on size for IPS OD is not available.
 When ordering a 6606 tapping sleeve, price is determined by the flange size and not by working range.
 The working range is only a guideline, other ranges can be fabricated.

ROBAR INDUSTRIES LTD.

BC Phone (604) 591-8811 / 1-800-663-6553
 Fax (604) 591-5288
 Email waterworks@robarindustries.com

LES PRODUITS INDUSTRIELS ROBAR INC

QUEBEC Phone (450) 441-7525/1-800-315-9525
 Fax (450) 441-4894
 Web www.Robarindustries.com



6606CSF TAPPING SLEEVES

STAINLESS STEEL BODY WITH MILD STEEL FLANGE

Price Information

Nominal Pipe Size	By x	Outlet Size	Lifter Bar List Price	Bolt Bracket List Price	Fitting Length	Number of Bolts	Working Range	
							LOW	HIGH
16"	x	3	\$ 1,251.86	\$ 1,447.94	12	8	17.20	17.60
		4	\$ 1,251.86	\$ 1,447.94	12	8	17.40	17.80
		6	\$ 1,698.13	\$ 1,986.59	16	10	17.80	18.20
		8	\$ 2,226.72	\$ 2,573.75	20	12	18.40	18.80
		10	\$ 2,324.55	\$ 2,671.58	20	12	18.80	19.20
		12	\$ 2,941.91	\$ 3,347.46	24	16		
18"	x	3	\$ 1,436.99	\$ 1,892.30	12	12	19.30	19.70
		4	\$ 1,436.99	\$ 1,892.30	12	12	19.80	20.20
		6	\$ 1,945.89	\$ 2,610.17	16	15	20.20	20.60
		8	\$ 2,542.96	\$ 3,368.58	20	21		
		10	\$ 2,644.26	\$ 3,469.88	20	21		
		12	\$ 3,332.98	\$ 4,295.20	24	24		
20"	x	3	\$ 1,474.53	\$ 1,929.81	12	12	21.40	21.80
		4	\$ 1,474.53	\$ 1,929.81	12	12	22.00	22.40
		6	\$ 2,001.45	\$ 2,665.73	16	15	22.60	23.00
		8	\$ 2,615.26	\$ 3,440.87	20	21		
		10	\$ 2,750.04	\$ 3,575.68	20	21		
		12	\$ 3,460.12	\$ 4,422.34	24	24		
24"	x	3	\$ 1,590.90	\$ 2,046.19	12	12	23.20	23.60
		4	\$ 1,590.90	\$ 2,046.19	12	12	23.80	24.20
		6	\$ 2,174.03	\$ 2,838.31	16	15	25.60	26.00
		8	\$ 2,829.19	\$ 3,654.82	20	21		
		10	\$ 2,927.00	\$ 3,752.65	20	21		
		12	\$ 3,672.66	\$ 4,634.87	24	24		

All dimensions are in inches

Note: When ordering a 6606 tapping sleeve, price is determined by the flange size and not by working range.
The working range is only a guideline, other ranges can be fabricated.

ROBAR INDUSTRIES LTD.

BC Phone (604) 591-8811 / 1-800-663-6553
 Fax (604) 591-5288
 Email waterworks@robarindustries.com

LES PRODUITS INDUSTRIELS ROBAR INC.

QUEBEC Phone (450) 441-7525 / 1-800-315-9525
 Fax (450) 441-4894
 Web www.Robarindustries.com

6626 OUTLET SLEEVES

STAINLESS STEEL PRICE INFORMATION

Nominal Pipe Size	By x	Outlet Size	LIST PRICE	Fitting Length	Number of Bolts	Working Range	
						LOW	HIGH
4"	x	3	\$ 1,144.35	12	8	4.70	4.95
		4	\$ 1,144.35	12	8	4.95	5.20
6"	x	3	\$ 1,144.35	12	8	6.40	6.80
		4	\$ 1,144.35	12	8	6.80	7.20
6"	x	6	\$ 1,590.87	16	10	7.20	7.60
						6.75	7.00
						6.85	7.10
						7.00	7.25
8"	x	3	\$ 1,156.61	12	8	7.25	7.50
		4	\$ 1,156.61	12	8	8.40	8.80
		6	\$ 1,526.55	16	10	8.80	9.20
8"	x	8	\$ 2,033.16	20	12	9.20	9.60
						8.95	9.20
10"	x	3	\$ 1,212.27	12	8	9.25	9.50
		4	\$ 1,212.27	12	8	10.55	10.95
		6	\$ 1,600.83	16	10	10.90	11.30
		8	\$ 1,968.06	20	12	11.30	11.70
		10	\$ 2,585.56	20	12	11.90	12.30
12"	x	3	\$ 1,317.10	12	8		
		4	\$ 1,317.10	12	8	12.15	12.55
		6	\$ 1,740.60	16	10	12.55	12.95
		8	\$ 2,142.70	20	12	13.00	13.40
		10	\$ 2,520.74	20	12	13.40	13.80
		12	\$ 3,434.42	24	16	13.80	14.20
14"	x	3	\$ 1,440.60	12	8		
		4	\$ 1,440.60	12	8	15.10	15.50
		6	\$ 1,905.29	16	10	15.50	15.90
		8	\$ 2,348.57	20	12	15.80	16.20
		10	\$ 2,726.60	20	12	16.20	16.60
		12	\$ 3,370.96	24	16		

All dimensions are in inches
Continued...

Note: Size on size for IPS OD is not available.
When ordering a 6606 tapping sleeve, price is determined by the flange size and not by working range.
The working range is only a guideline, other ranges can be fabricated.

ROBAR INDUSTRIES LTD.
BC Phone (604) 591-8811 / 1-800-663-6553
Fax (604) 591-5288
Email waterworks@robarindustries.com

LES PRODUITS INDUSTRIELS ROBAR INC.
QUEBEC Phone (450) 441-7525 / 1-800-315-9525
Fax (450) 441-4894
Web www.Robarindustries.com



6626 OUTLET SLEEVES

STAINLESS STEEL
PRICE INFORMATION

Nominal Pipe Size	By x	Outlet Size	LIST PRICE	Fitting Length	Number of Bolts	Working Range	
						LOW	HIGH
16"	x	3	\$ 1,546.85	12	8	17.20	17.60
		4	\$ 1,546.85	12	8	17.40	17.80
		6	\$ 2,046.74	16	10	17.80	18.20
		8	\$ 2,524.79	20	12	18.40	18.80
		10	\$ 2,910.24	20	12	18.80	19.20
		12	\$ 3,592.45	24	16		
18"	x	3	\$ 1,667.49	12	12	19.30	19.70
		4	\$ 1,667.49	12	12	19.80	20.20
		6	\$ 2,207.56	16	15	20.20	20.60
		8	\$ 2,725.82	20	18		
		10	\$ 3,110.72	20	18		
		12	\$ 3,833.66	24	24		
20"	x	3	\$ 1,707.13	12	12	21.40	21.80
		4	\$ 1,707.13	12	12	22.00	22.40
		6	\$ 2,260.34	16	15	22.60	23.00
		8	\$ 2,791.79	20	18		
		10	\$ 3,176.69	20	18		
		12	\$ 3,912.89	24	24		
24"	x	3	\$ 1,907.82	12	12	23.20	23.60
		4	\$ 1,907.82	12	12	23.80	24.20
		6	\$ 2,528.00	16	16	25.60	26.00
		8	\$ 3,126.36	20	18		
		10	\$ 3,511.29	20	18		
		12	\$ 4,314.33	24	24		

All dimensions are in inches

Note: When ordering a 6606 tapping sleeve, price is determined by the flange size and not by working range.
The working range is only a guideline, other ranges can be fabricated.

ROBAR INDUSTRIES LTD.

BC Phone (604) 591-8811 / 1-800-663-6553
Fax (604) 591-5288
Email waterworks@robarindustries.com

LES PRODUITS INDUSTRIELS ROBAR INC.

QUEBEC Phone (450) 441-7525 / 1-800-315-9525
Fax (450) 441-4894
Web www.Robarindustries.com



6636 ABANDON SERVICE SLEEVE

STAINLESS STEEL PRICE INFORMATION

ABANDON SLEEVE with 3" End Cap - 12" wide LIST PRICE

Nominal Size	Outlet Size	Bolt Bracket	Finger Closure
4"	3"	\$ 1,068.33	\$ 873.95
6"		\$ 1,108.29	\$ 901.49
8"		\$ 1,150.04	\$ 930.98
10"		\$ 1,185.80	\$ 959.37
12"		\$ 1,245.83	\$ 1,082.33
14"		\$ 1,376.69	\$ 1,190.01
16"		\$ 1,424.66	\$ 1,233.53
18"		\$ 1,845.68	\$ 1,449.59
20"		\$ 1,882.41	\$ 1,490.41
22"		\$ 1,961.14	\$ 1,539.58
24"		\$ 2,064.27	\$ 1,615.95

Notes:

3" end cap used to seal off a 3/4" or 1" main stop

4" end cap used to seal off a 1-1/2" or 2" main stop

ABANDON SLEEVE with 3" End Cap - 8" wide LIST PRICE

Nominal Size	Outlet Size	Bolt Bracket	Finger Closure
4"	3"	\$ 990.36	\$ 810.15
6"		\$ 1,027.39	\$ 835.68
8"		\$ 1,066.10	\$ 863.04
10"		\$ 1,099.21	\$ 889.33
12"		\$ 1,154.90	\$ 1,003.34
14"		\$ 1,276.20	\$ 1,103.16
16"		\$ 1,320.66	\$ 1,143.47
18"		\$ 1,710.93	\$ 1,343.76
20"		\$ 1,744.98	\$ 1,381.62
22"		\$ 1,817.97	\$ 1,427.21
24"		\$ 1,913.57	\$ 1,497.98

ABANDON SLEEVE with 4" End Cap - 12" wide LIST PRICE

Nominal Size	Outlet Size	Bolt Bracket	Finger Closure
6"	4"	\$ 1,255.70	\$ 1,009.96
8"		\$ 1,279.31	\$ 1,035.64
10"		\$ 1,306.85	\$ 1,067.22
12"		\$ 1,373.03	\$ 1,203.97
14"		\$ 1,517.24	\$ 1,311.50
16"		\$ 1,555.44	\$ 1,359.49
18"		\$ 1,962.43	\$ 1,597.56
20"		\$ 2,035.82	\$ 1,642.60
22"		\$ 2,120.96	\$ 1,680.90
24"		\$ 2,232.52	\$ 1,764.30

ROBAR INDUSTRIES LTD.

BC Phone (604) 591-8811 / 1-800-663-6553
 Fax (604) 591-5288
 Email waterworks@robarindustries.com

LES PRODUITS INDUSTRIELS ROBAR INC.

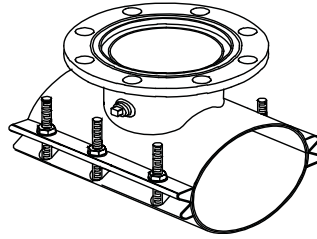
QUEBEC Phone (450) 441-7525 / 1-800-315-9525
 Fax (450) 441-4894
 Web www.Robarindustries.com



MILD STEEL TAPPING SLEEVES

6908 & 6906

PRICE INFORMATION



Nominal Pipe Size	By x	Outlet Size	LIST PRICE		Working Range	
			PRICE 6908	PRICE 6906	LOW	HIGH
6"	x	3	\$ 1,096.64	\$ 1,252.38	6.90	7.20
		4	\$ 1,096.64	\$ 1,252.38		
		6	\$ 1,184.26	\$ 1,315.41		
8"	x	3	\$ 1,143.56	\$ 1,260.35	8.50	8.90
		4	\$ 1,143.56	\$ 1,260.35	8.90	9.30
		6	\$ 1,252.07	\$ 1,352.60	9.30	9.70
		8	\$ 1,725.03	\$ 1,895.45		
10"	x	3	\$ 1,192.00	\$ 1,338.38	9.70	10.10
		4	\$ 1,192.00	\$ 1,338.38	10.10	10.50
		6	\$ 1,302.48	\$ 1,452.27	10.50	10.90
		8	\$ 1,792.85	\$ 2,008.60	10.90	11.30
		10	\$ 2,232.85	\$ 2,524.18	11.30	11.70
						11.70
12"	x	3	\$ 1,327.68	\$ 1,457.22	12.10	12.50
		4	\$ 1,327.68	\$ 1,457.22	12.50	12.90
		6	\$ 1,438.16	\$ 1,567.34	12.90	13.30
		8	\$ 1,945.98	\$ 2,143.17	13.30	13.60
		10	\$ 2,401.47	\$ 2,694.13		
		12	\$ 2,874.39	\$ 3,141.10		
14"	x	3	\$ 1,395.52	\$ 1,578.10	13.60	14.05
		4	\$ 1,395.52	\$ 1,578.10	14.05	14.50
		6	\$ 1,538.94	\$ 1,740.36	14.50	14.95
		8	\$ 2,106.87	\$ 2,342.74	14.95	15.40
		10	\$ 2,570.10	\$ 2,882.91	15.30	15.75
		12	\$ 3,044.97	\$ 3,351.92		

All dimensions are in inches

Continued...

Note: Size on size for IPS OD is not available.

When ordering a Mild Steel tapping sleeves, price is determined by the flange size and not by working range.

The working range is only a guideline, other ranges can be fabricated.

ROBAR INDUSTRIES LTD.

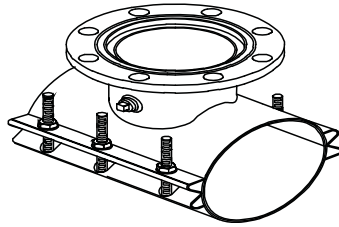
BC Phone (604) 591-8811 / 1-800-663-6553
 Fax (604) 591-5288
 Email waterworks@robarindustries.com

LES PRODUITS INDUSTRIELS ROBAR INC.

QUEBEC Phone (450) 441-7525 / 1-800-315-9525
 Fax (450) 441-4894
 Web www.Robarindustries.com

MILD STEEL TAPPING SLEEVES

6908 & 6906
PRICE INFORMATION



Nominal Pipe Size	By x	Outlet Size	LIST PRICE		Working Range	
			Price 6908	PRICE 6906	LOW	HIGH
16"	x	3	\$ 1,471.12	\$ 1,677.18	15.75	16.15
		4	\$ 1,471.12	\$ 1,677.18	16.15	16.60
		6	\$ 1,624.25	\$ 1,855.61	16.60	17.05
		8	\$ 2,197.97	\$ 2,477.46	17.05	17.50
		10	\$ 2,705.78	\$ 3,024.96	17.40	17.85
		12	\$ 3,170.95	\$ 3,496.80		
18"	x	3	\$ 1,533.14	\$ 1,742.04	17.85	18.30
		4	\$ 1,533.14	\$ 1,742.04	18.30	18.75
		6	\$ 1,709.53	\$ 1,936.49	18.75	19.20
		8	\$ 2,300.69	\$ 2,578.45	19.20	19.65
		10	\$ 2,808.50	\$ 3,139.27	19.50	19.95
		12	\$ 3,331.84	\$ 3,608.23		
20"	x	3	\$ 1,602.92	\$ 1,860.99	19.90	20.40
		4	\$ 1,602.92	\$ 1,860.99	20.40	20.90
		6	\$ 1,792.85	\$ 2,079.80	20.90	21.40
		8	\$ 2,401.47	\$ 2,752.68	21.40	21.90
		10	\$ 3,010.08	\$ 3,309.47	21.90	22.15
		12	\$ 3,483.01	\$ 3,778.61	22.15	22.70
						22.70
24"	x	3	\$ 1,734.71	\$ 2,033.60	23.60	24.15
		4	\$ 1,734.71	\$ 2,033.60	24.15	24.70
		6	\$ 1,928.54	\$ 2,310.98	24.70	25.25
		8	\$ 2,550.71	\$ 2,939.54	25.25	25.80
		10	\$ 3,196.16	\$ 3,550.90	25.60	26.00
		12	\$ 3,703.96	\$ 4,019.88		

All Dimensions are in inches

Note: When ordering a Mild Steel tapping sleeve, price is determined by the flange size and not by working range.
The working range is only a guideline, other ranges can be fabricated.

ROBAR INDUSTRIES LTD.

BC Phone (604) 591-8811 / 1-800-663-6553
Fax (604) 591-5288
Email waterworks@robarindustries.com

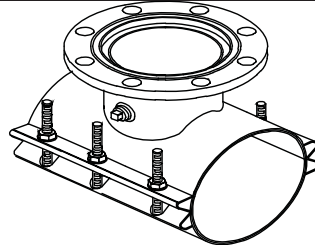
LES PRODUITS INDUSTRIELS ROBAR INC.

QUEBEC Phone (450) 441-7525 / 1-800-315-9525
Fax (450) 441-4894
Web www.Robarindustries.com



Carbon Steel MJ Tapping Sleeve

6908 & 6906
PRICE INFORMATION



Nominal Pipe Size	By x	Outlet Size	LIST PRICE		Working Range		
			PRICE 6908MJ	PRICE 6906MJ	LOW	HIGH	
6"	x	4	\$ 1,237.90	\$ 1,347.49	6.90	7.20	
		6	\$ 1,432.89	\$ 1,526.82			
8"	x	4	\$ 1,253.81	\$ 1,370.59	8.50	8.90	
		6	\$ 1,464.97	\$ 1,565.49	8.90	9.30	
		8	\$ 1,803.26	\$ 1,973.67	9.30	9.70	
10"	x	4	\$ 1,316.34	\$ 1,519.07	9.70	10.10	
		6	\$ 1,510.81	\$ 1,597.96	10.10	10.50	
		8	\$ 1,851.10	\$ 2,066.83	10.50	10.90	
		10	\$ 2,284.67	\$ 2,576.01	10.90	11.30	
						11.30	11.70
						11.70	12.10
12"	x	4	\$ 1,386.91	\$ 1,613.49	12.10	12.50	
		6	\$ 1,576.95	\$ 1,707.16	12.50	12.90	
		8	\$ 1,980.01	\$ 2,177.20	12.90	13.30	
		10	\$ 2,432.07	\$ 2,724.74	13.30	13.60	
		12	\$ 2,889.17	\$ 3,155.88			
14"	x	4	\$ 1,463.91	\$ 1,637.10	13.60	14.05	
		6	\$ 1,653.31	\$ 1,854.72	14.05	14.50	
		8	\$ 2,129.03	\$ 2,364.90	14.50	14.95	
		10	\$ 2,584.56	\$ 2,897.36	14.95	15.40	
		12	\$ 3,047.55	\$ 3,354.52	15.30	15.75	

All dimensions are in inches

Continued...

Note: Size on size for IPS OD is not available.

When ordering a Mild Steel tapping sleeves, price is determined by the flange size and not by working range.

The working range is only a guideline, other ranges can be fabricated.

ROBAR INDUSTRIES LTD.

BC Phone (604) 591-8811 / 1-800-663-6553
 Fax (604) 591-5288
 Email waterworks@robarindustries.com

LES PRODUITS INDUSTRIELS ROBAR INC.

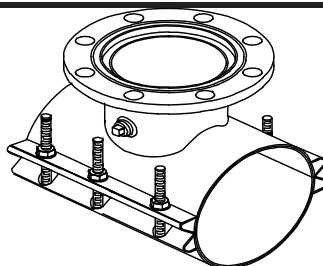
QUEBEC Phone (450) 441-7525 / 1-800-315-9525
 Fax (450) 441-4894
 Web www.Robarindustries.com



Carbon Steel MJ Tapping Sleeve

6908 & 6906

PRICE INFORMATION



Nominal Pipe Size	By x	Outlet Size	LIST PRICE		Working Range	
			PRICE 6908MJ	PRICE 6906MJ	LOW	HIGH
16"	x	4	\$ 1,550.01	\$ 1,691.52	15.75	16.15
		6	\$ 1,721.39	\$ 1,905.79	16.15	16.60
		8	\$ 2,213.84	\$ 2,493.35	16.60	17.05
		10	\$ 2,717.85	\$ 3,037.05	17.05	17.50
		12	\$ 3,169.09	\$ 3,494.96	17.40	17.85
18"	x	4	\$ 1,643.85	\$ 1,754.13	17.85	18.30
		6	\$ 1,816.77	\$ 1,981.13	18.30	18.75
		8	\$ 2,306.54	\$ 2,584.30	18.75	19.20
		10	\$ 2,809.19	\$ 3,139.98	19.20	19.65
		12	\$ 3,321.90	\$ 3,598.32	19.50	19.95
20"	x	4	\$ 1,738.93	\$ 1,868.80	19.90	20.40
		6	\$ 1,894.59	\$ 2,067.23	20.40	20.90
		8	\$ 2,400.52	\$ 2,751.74	20.90	21.40
		10	\$ 3,001.18	\$ 3,300.58	21.40	21.90
		12	\$ 3,465.63	\$ 3,761.26	21.90	22.15
						22.15
24"	x	4	\$ 1,832.91	\$ 2,034.73	22.70	23.25
		6	\$ 2,019.81	\$ 2,294.23	23.60	24.15
		8	\$ 2,540.82	\$ 2,929.66	24.15	24.70
		10	\$ 3,181.28	\$ 3,536.04	24.70	25.25
		12	\$ 3,682.77	\$ 3,998.73	25.25	25.80
						25.60

All Dimensions are in inches

Note: When ordering a Mild Steel tapping sleeve, price is determined by the flange size and not by working range.
The working range is only a guideline, other ranges can be fabricated.

ROBAR INDUSTRIES LTD.

BC Phone (604) 591-8811 / 1-800-663-6553
 Fax (604) 591-5288
 Email waterworks@robarindustries.com

LES PRODUITS INDUSTRIELS ROBAR INC.

QUEBEC Phone (450) 441-7525 / 1-800-315-9525
 Fax (450) 441-4894
 Web www.Robarindustries.com